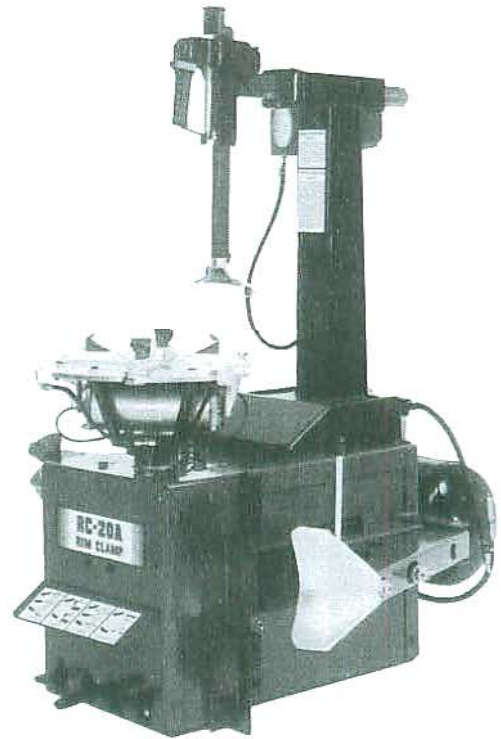
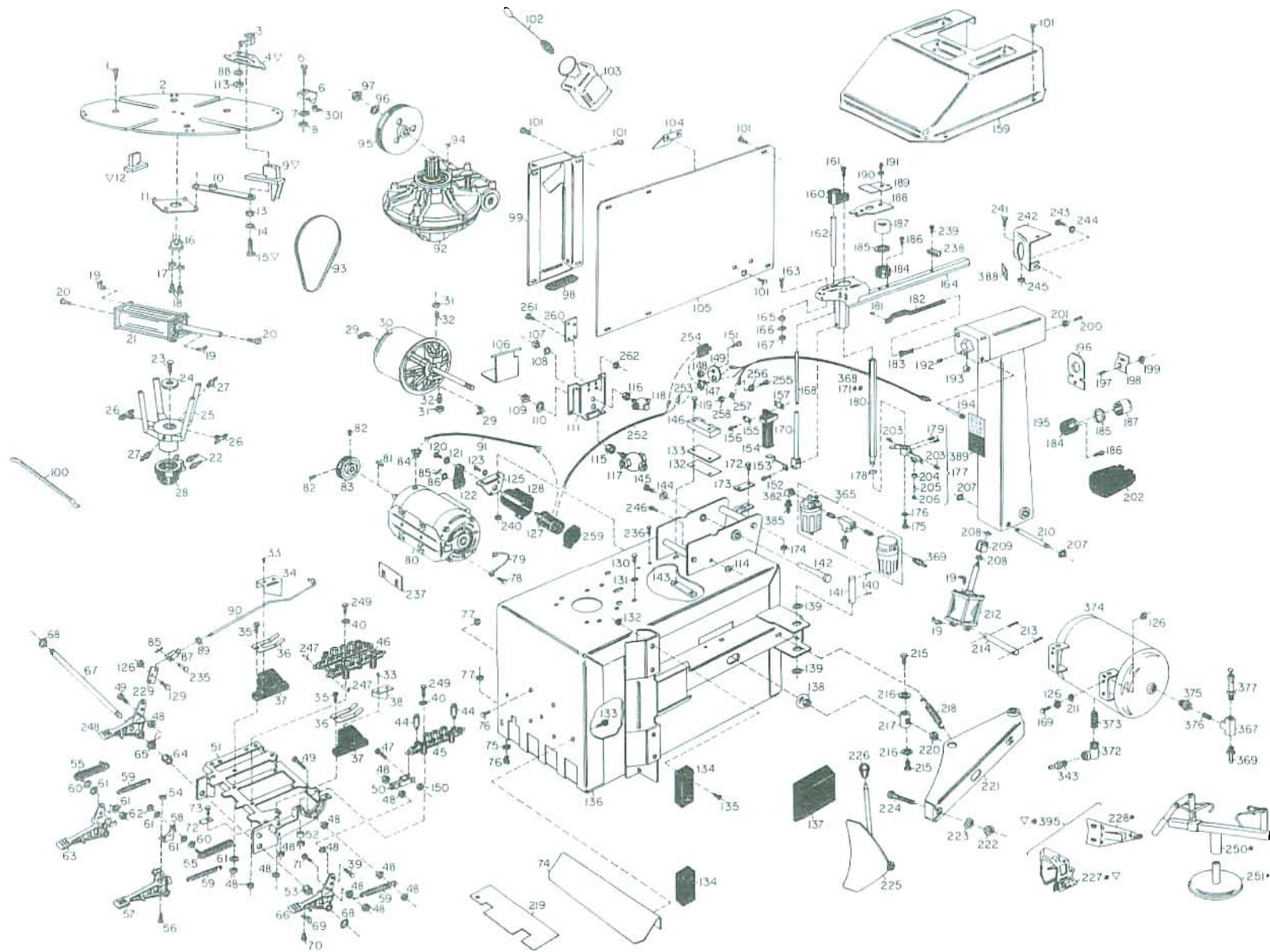


GOATS[®]

— PARTS LIST —



RC-20A
&
RC-20AA
RIM CLAMP
TIRE CHANGERS



▽ Indicates similar parts that are not interchangeable with older machines.

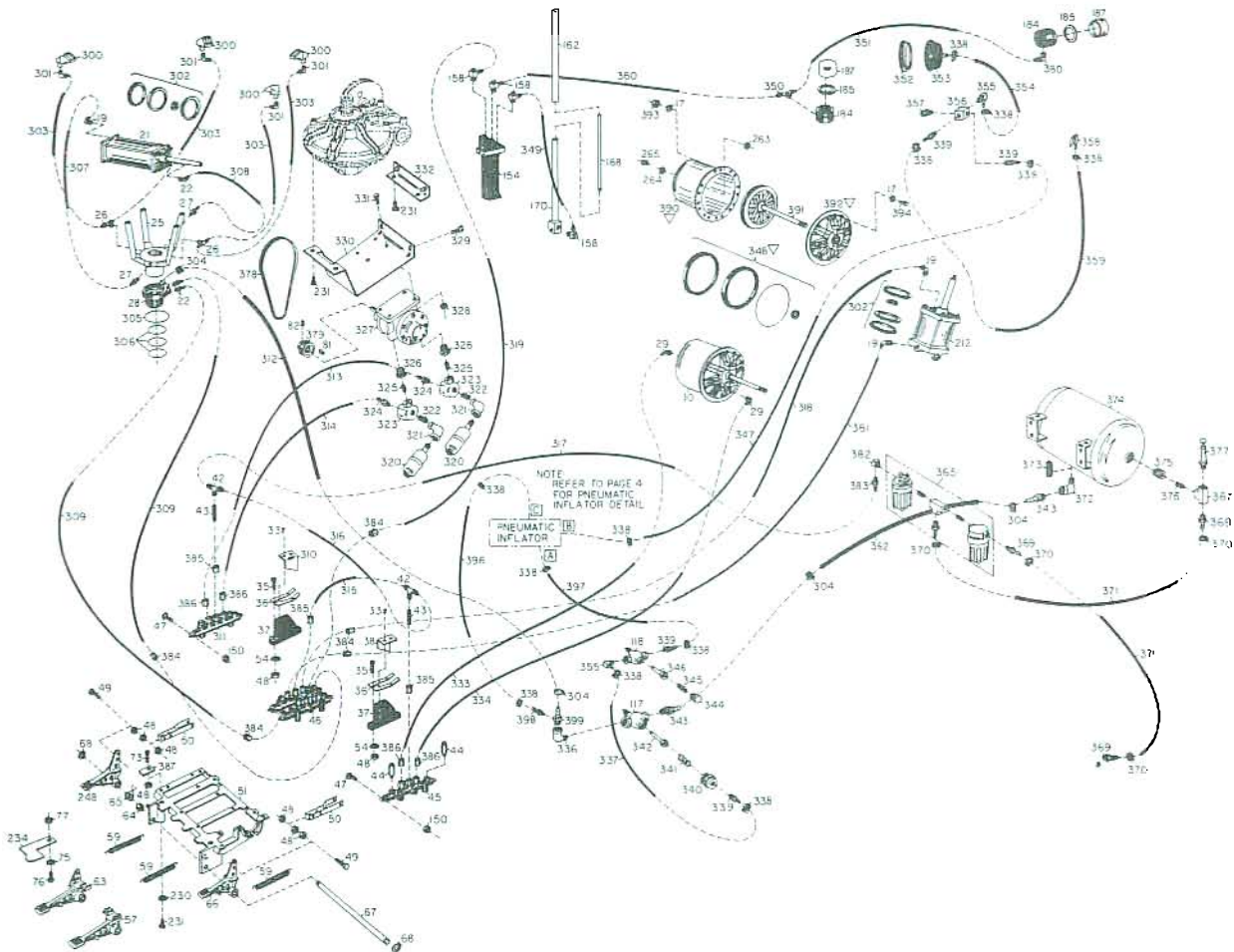
* Indicates accessory items

When ordering parts always give the following information:

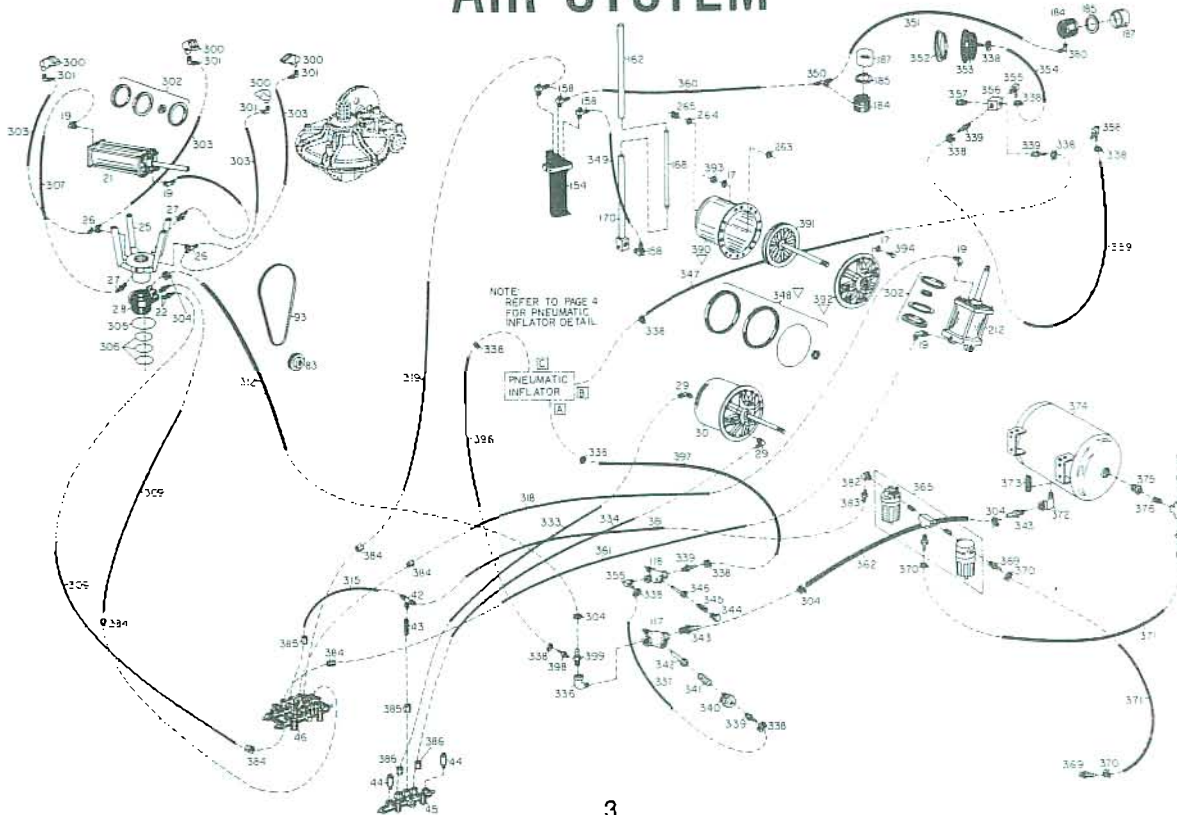
- (1) Part Number
- (2) Description
- (3) Serial Number of Your Machine

REF NO	PART NUMBER	DESCRIPTION	REF NO	PART NUMBER	DESCRIPTION	REF NO	PART NUMBER	DESCRIPTION	REF NO	PART NUMBER	DESCRIPTION
1	600328	10mm x 20mm S.H.C.S.	59	410628	Pedal Return Spring	121	600196	Washer, 4mm	184	428865	Piston
2	330826	Table Top	60	309358	Spring Washer	122	404283	Lever for switch	185	428879	Seal, O-Ring
3	336742	Clamp	61	419888	8mm Washer	123	600286	3mm x 10mm Screw	186	600314	6mm x 40mm S.H.C.S.
4	333856	Cover, Clamp Carrier Tall	62	601137	8mm Lock Nut	125	181443	Switch Bracket	187	328866	Cylinder
	323801	Cover, Clamp Carrier Short	63	330735	Tower Tilt Pedal	126	181369	1/4-20 Nyloc Nut	188	328867	Lock Plate, Vertical Slide
5	600407	6mm x 25mm H.H.C.S.	64	325050	Spacer	127	424796	Switch	189	426512	Leaf Spring, Upper
6	337167	Nozzle, Air Flate Tall	65	428682	Switch Control Spring	128	432056	Switch Guard	190	600157	10mm Hex Nut
	330782	Nozzle, Air Flate Short	66	231466	Bead Loosener Pedal	129	190134	1/4-20 x 1/4 H.H.C.S.	191	601291	10mm x 25mm S.H.S.S.
7	600211	Washer	67	333508	Pedal Pivot Axle	130	601046	10mm x 55mm H.H.C.S.	192	600542	6mm x 6mm S.H.S.S.
8	600150	6mm Hex Nut	68	600025	Snap Ring	131	600213	10mm Washer	193	314469	Roller
9	233859	Clamp Carrier, Cyl Mtg Tall	69	329955	Pedal Stop, Front	132	181183	1/4" Nylon Lock Nut	194	314470	Roller Pin
	223791	Clamp Carrier, Cyl Mtg Short	70	600891	5mm x 10mm S.H.C.S.	133	106300	1/4" Self-Tap Screw	195	231043	Tower
10	223785	Pivot Link	71	600363	6mm x 25mm H.H.C.S.	134	181173	Front Pad B.L.	196	328866	Lock Plate, Horizontal Slide
11	223793	Pivot Plate Assembly	72	331382	Pedal Stop, Rear	135	181181	1/4" x 1" B.S.H.C.S.	197	601291	10mm x 25mm S.H.S.S.
12	233857	Clamp Carrier, Tall	73	600309	6mm x 16mm S.H.C.S.	136	181472	Chassis-Pad	198	426512	Leaf Spring
	223789	Clamp Carrier, Short	74	181056	Guard Pedal	137	181065	Center Pad	199	600157	10mm Hex Nut
13	323796	Pivot Spacer	75	000240	Washer	138	424142	Bumper	200	329204	12mm x 40mm S.H.S.S.
14	323795	Washer	76	106302	1/4" Whiz Lock Screw	139	601045	Washer	201	600158	12mm Hex Nut
15	433878	12mm x 75mm H.H.C.S.	77	106303	1/4" Whiz Lock Nut	140	102278	1/4" x 1" Cotter Pin	202	426773	Cylinder Protector Cover
	423819	12mm x 65mm H.H.C.S.	78	120455	#10-24 Self-Tap Screw	141	323903	Bead Loosener Arm Pin	203	600946	10mm x 16mm Set Screw
16	323792	Pivot Cup	79	180560	Ground Jumper	142	331055	Tower Pivot Pin	204	322738	Conical Roller
17	600212	Washer	80	181371	Motor	143	181415	Front Stop Bar	205	418892	Pin, Roller
18	601281	8mm x 16mm H.H.C.S.	81	180558	Key Motor	144	318183	Washer, 12mm	206	601091	6mm x 5mm Set Screw
19	414842	90° Threaded Connector	82	180217	1/4" x 1/4" Soc. Set Screw	145	601225	12mm x 25mm H.H.C.S.	207	600821	18mm Snap Ring
20	601251	12mm x 20mm S.H.C.S.	83	180046	Motor Pulley	146	181448	Front Tower Stop	208	600153	12mm Hex Nut
21	223810	Cylinder, Table Top	84	150128	Cable Connector	147	150128	Cable Connector	209	323350	Yoke, Tower Tilt Cyl.
22	417408	Straight Fitting Assy. B.S.P.T.	85	107407	Half Pin Clip	148	181183	1/4-18 Nyloc Nut	210	326667	Tilt Cyl. Pin
23	601216	16mm x 35mm H.H.C.S.	86	000745	1/4" Std Flat Washer	149	181129	Bracket, Cable Connector	211	000745	1/4" Flat Washer
24	330824	Washer, Table Top	87	180156	Yoke End	150	601018	4mm Hex Nut	212	223974	Tilt Cyl.
25	230778	Table Top Spider	88	600211	Washer, 6mm	151	120325	1/4" x 1 S.W.H.S.	213	107139	Hitch Pin
26	430830	Tee 10mm x 10mm x 1/4 BSPT	89	107440	1/4" - 20 Hex Nut	152	600909	6mm x 35mm S.H.C.S.	214	181436	Lower Tilt Cyl. Pin
27	425013	Straight Fitting Assy. B.S.P.T.	90	181442	Switch Rod	153	328696	Handle Brace	215	600372	8mm x 16mm S.H.C.S.
28	230827	Rotary Coupling	91	181482	Motor Cable Assembly	154	231744	Locking Handle	216	323901	Washer, B.L. Pivot Pin
29	418350	1/4 BSPT x 14mm Elbow Assy.	92	230817	Transmission	155	326283	Front Bracket	217	323902	B.L. Cyl. Rod Pin
30	231706	Bead Loosener Cylinder	93	181099	V-Bell	156	600310	6mm x 20mm S.H.C.S.	218	180230	Spring B.L.
31	600992	14mm Hex Nut	94	600667	Key	157	327284	Backing Plate	219	109500	Bottom Plate - Floor Pan
32	418562	Screw, Cyl. MTG-14mm	95	414344	Pulley, Transmission	158	427290	Fitting	220	601242	B.L. Cyl. Nut
33	600641	Screw	96	600213	Washer	159	181437	Tower Pivot Cover	221	181348	B.L. Arm
34	325018	Lever Guide	97	600951	Hex Nut 10mm	160	426530	Plastic Cover, Vertical Shaft	222	422255	12mm Hex Nut
35	600312	Screw	98	181128	Pad Lift Tool Holder	161	601098	8mm x 22mm S.H.C.S.	223	409650	Spring Washer
36	325019	Spring, Leaf	99	181360	Lube Btl. & Lift Tool Holder	162	326523	Upper Tube	224	324008	12mm Allen-Head Bolt
37	425020	Cam	100	430679	Bead Lifting Tool	163	600906	6mm x 35mm H.H.C.S.	225	224000	Shoe
38	331448	Lever Guide	101	106301	1/4" Self-Tap Screw	164	226525	Horizontal Shaft	226	402177	Knob, Shoe Handle
39	600411	Screw	102	000491	Lube Applicator	165	600150	6mm Hex Nut	227	235207	Motorcycle Clamp Tall
40	600211	Washer	103	106259	Lube Bottle	166	600679	6mm Washer	228	235225	Motorcycle Clamp Short
41	181495	8mm x 6" Nylon Tube	104	181359	Air Flate Pedal Guard-Red	167	601257	6mm Hex Nut	229	225640	Motorcycle Shoe Adapter
42	415860	Tee, 8mm Tube	105	181483	Side Panel Assy.	168	327294	Stem	230	181435	Extension, Sw. Pedal
43	181496	8mm x 1/4" Nylon Tube	106	181410	Air Flate Pedal	169	181519	1/4-20 x 1" H.H.C.S.	231	600213	10mm Washer
44	422682	Muffler	107	104611	1/4" Jam Nut N.F.	170	227297	Support Tube	232	600379	10mm x 20mm H.H.C.S.
45	229059	Valve, B.L. Cyl.	108	104613	1/4" Ext Lock Washer	171	181603	AC Power Cord	233	181493	7 GA. Spacer
46	231378	Valve, TT & Tower	109	104610	1/4" Jam Nut N.F.	172	120408	1/4-20 x 1/4 H.H.C.S.	234	181494	14 GA. Spacer
47	600291	4mm x 20mm S.H.C.S.	110	104612	1/4" Lock Washer	173	181384	Filter-Lubricator Clamp	235	181438	Stop Pedal
48	601022	6mm Hex Nut	111	181408	Valve Bracket, Air Flate	174	181369	1/4-20 Nyloc Nut	236	106455	Clevis Pin
49	600366	6mm x 40mm H.H.C.S.	112	106302	1/4" x 1 H.H.C.S.	175	600379	10mm x 20mm H.H.C.S.	237	190163	1/4-20 x 1/4 S.W.H.S.
50	331381	Connecting Link	113	601022	6mm Self Lock Hex Nut	176	424275	10mm Washer	238	228717	Slide Stop
51	331400	Base	114	106303	1/4" Whiz Lock Nut	177	235110	Mount-Demount Head	239	601295	8mm x 16mm S.H.C.S.
52	331450	Spacer	115	104674	Bushing 1/4" Valve	178	428681	Plastic Bumper	240	143169	1/4-20 Whiz Lok Nut
53	325050	Spacer, Pedal	116	104673	Bushing 1/4" Valve	179	601274	10mm x 12mm Set Screw			
54	671524	5mm Hex Nut	117	106298	1/4" Valve Ported 1/4-18 N.P.T.	180	326534	Vertical Shaft			
55	425014	Connecting Rod	118	104600	Valve Comp.	181	600843	3.5mm x 6.5mm Screw			
56	600297	5mm x 16mm S.H.C.S.	119	181518	1/4-16 x 2" S.W.H.S.	182	426763	Tube Guide			
57	231447	Clamp Cyl. Pedal	120	600349	4mm x 12mm Screw	183	431061	Guide Bushing			
58	331383	Support, Conn. Rod									

ALL AIR RC-20AA



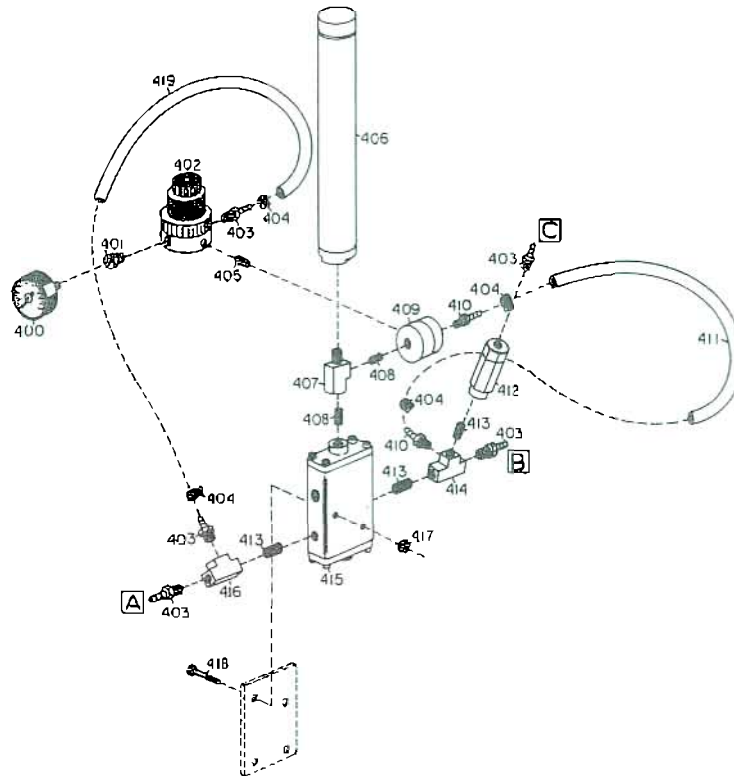
ELECTRO/PNEUMATIC RC-20A AIR SYSTEM



REF NO	PART NUMBER	DESCRIPTION	REF NO	PART NUMBER	DESCRIPTION	REF NO	PART NUMBER	DESCRIPTION	REF NO	PART NUMBER	DESCRIPTION	REF NO	PART NUMBER	DESCRIPTION
1	600328	10mm x 20mm SHCS	59	410628	Pedal Return Spring	121	600196	Washer, 4mm	184	428865	Piston	241	120325	3/4 x 1 SW.H.S.
2	330826	Table Top	60	309358	Spring Washer	122	404283	Lever for switch	185	428879	Seal, O-Ring	242	230873	Gauge Bracket
3	336742	Clamp	61	419888	8mm Washer	123	600286	3mm x 10mm Screw	186	600314	6mm x 40mm SHCS	243	600372	8mm x 16mm HHCS
4	333856	Cover, Clamp Carrier Tall	62	601137	8mm Lock Nut	125	181443	Switch Bracket	187	328866	Cylinder	244	600212	8mm Washer
	323801	Cover, Clamp Carrier Short	63	330735	Tower Tilt Pedal	126	181369	1/4-20 Nyloc Nut	188	328867	Lock Plate, Vertical Slide	245	181183	3/8 Nylon Lock Nut
5	600407	6mm x 25mm H.H.C.S.	64	325050	Spacer	127	424796	Switch	189	426512	Leaf Spring, Upper	246	000524	3/8 - 16 x 1 H.H.C.S.
6	337467	Nozzle, Air Flate Tall	65	428682	Switch Control Spring	128	432056	Switch Guard	190	600157	10mm Hex Nut	247	600975	Pin
	330782	Nozzle, Air Flate Short	66	231466	Bead Loosener Pedal	129	190134	3/4-20 x 3/4 H.H.C.S.	191	601291	10mm x 25mm S.H.S.S.	248	330737	Switch Pedal
7	600211	Washer	67	333508	Pedal Pivot Axle	130	601046	10mm x 55mm H.H.C.S.	192	600542	6mm x 6mm S.H.S.S.	249	600717	6mm x 60mm H.H.C.S.
8	600150	6mm Hex Nut	68	600025	Snap Ring	131	600213	10mm Washer	193	314469	Roller	*250	108028	Tire Spreader
9	233859	Clamp Carrier, Cyl Mtg Tall	69	329955	Pedal Stop, Front	132	181183	3/8 Nylon Lock Nut	194	314470	Roller Pin	*251	181329	Spreader Base/Rim Clamp
	223791	Clamp Carrier, Cyl Mtg Short	70	600891	5mm x 10mm SHCS	133	106300	1/4 Self-Tap Screw	195	231043	Tower	252	181582	Cord Brkr to Switch
10	223785	Pivot Link	71	600363	6mm x 25mm H.H.C.S.	134	181173	Front Pad B.L.	196	328868	Lock Plate, Horizontal Slide	253	143254	Wire Splice
11	221793	Pivot Plate Assembly	72	331382	Pedal Stop, Rear	135	181181	3/8 x 1" B.S.H.C.S.	197	601291	10mm x 25mm S.H.S.S.	254	181587	Circuit Breaker
12	233857	Clamp Carrier, Tall	73	600309	6mm x 16mm SHCS	136	181472	Chassis Red	198	426512	Leaf Spring	255	106301	1/4 Self-Tap Screw
	223789	Clamp Carrier, Short	74	181056	Guard Pedal	137	181065	Center Pad	199	600157	10mm Hex Nut	256	301142	1/4 Spring Lock Washer
13	323796	Pivot Spacer	75	000240	Washer	138	424142	Bumper	200	329204	12mm x 40mm S.H.S.S.	257	150441	1/4 Star Lock Washer
14	323795	Washer	76	106302	1/4 Whiz Lock Screw	139	601045	Washer	201	600158	12mm Hex Nut	258	107440	1/4 Hex Nut
15	433878	12mm x 75mm H.H.C.S.	77	106303	1/4 Whiz Lock Nut	140	102278	1/4 x 1 Cotter Pin	202	426773	Cylinder Protector Cover	259	430991	Switch Cover
	423819	12mm x 65mm H.H.C.S.	78	120455	#10-24 Self-Tap Screw	141	323903	Bead Loosener Arm Pin	203	600946	10mm x 16mm Set Screw	260	109566	Inflator Brkt
16	323792	Pivot Cup	79	180560	Ground Jumper	142	331055	Lower Pivot Pin	204	322738	Conical Roller	261	190163	1/4 x 3/4 Bolt
17	600212	Washer	80	181371	Motor	143	181415	Front Stop Bar	205	418892	Pin, Roller	262	143169	1/4 Whiz Lock Nut
18	601281	8mm x 16mm H.H.C.S.	81	180558	Key Motor	144	318183	Washer, 12mm	206	601091	6mm x 5mm Set Screw	263	333524	1/4 Nut
19	414842	90° Threaded Connector	82	180217	3/8 x 3/8 Soc Set Screw	145	601225	12mm x 25mm H.H.C.S.	207	600821	16mm Snap Ring	264	417815	1/4 Aluminum Washer
20	601251	12mm x 20mm SHCS	83	180046	Motor Pulley	146	181448	Front Tower Stop	208	600153	12mm Hex Nut	265	433552	1/4 to 1/8 Fitting
21	223810	Cylinder Table Top	84	150128	Cable Connector	147	150128	Cable Connector	209	323350	Yoke, Tower Tilt Cyl			
22	417408	Straight Fitting Assy, B.S.P.T.	85	107407	Hair Pin Clip	148	181183	3/8-18 Nyloc Nut	210	326667	Tilt Cyl Pin			
23	601216	16mm x 35mm H.H.C.S.	86	000745	1/4 Sid Flat Washer	149	181129	Bracket, Cable Connector	211	000745	1/4 Flat Washer			
24	330824	Washer, Table Top	87	180156	Yoke End	150	601018	4mm Hex Nut	212	223974	Tilt Cyl			
25	230778	Table Top Spndr	88	600211	Washer 6mm	151	120325	3/8 x 1 SW.H.S.	213	107139	Hitch Pin			
26	430830	Leg 10mm x 10mm x 1/4 BSPT	89	107440	1/4 - 20 Hex Nut	152	600909	6mm x 35mm SHCS	214	181436	Lower Tilt Cyl Pin			
27	425013	Straight Fitting Assy B.S.P.T.	90	181442	Switch Rod	153	328696	Handle Brace	215	600372	8mm x 16mm SHCS			
28	230827	Rotary Coupling	91	181482	Motor Cable Assembly	154	231744	Working Handle	216	323901	Washer, B.L. Pivot Pin			
29	418350	3/8 BSPT x 14mm Elbow Assy	92	230817	Transmission	155	326283	Front Bracket	217	323902	B.L. Cyl Rod Pin			
30	231706	Bead Loosener Cylinder	93	181099	V-Belt	156	600310	6mm x 20mm SHCS	218	180230	Spring B.L.			
31	600992	14mm Hex Nut	94	600667	Key	157	327284	Backing Plate	219	109500	Bottom Plate - Floor Pan			
32	418562	Screw Cyl Mtg 14mm	95	414344	Pulley, Transmission	158	427290	Fitting	220	601242	B.L. Cyl Nut			
33	600641	Screw	96	600213	Washer	159	181437	Tower Pivot Cover	221	181348	B.L. Arm			
34	325018	Lever Guide	97	600951	Hex Nut 10mm	160	426530	Plastic Cover, Vertical Shaft	222	422255	12mm Hex Nut			
35	600312	Screw	98	181128	Pad Lift Tool Holder	161	601098	8mm x 22mm SHCS	223	409650	Spring Washer			
36	325019	Spring, Leaf	99	181360	Lube Btl & Lift Tool Holder	162	326523	Upper Tube	224	324008	12mm Allen-Head Bolt			
37	425020	Cam	100	430679	Bead Lifting Tool	163	600906	6mm x 35mm H.H.C.S.	225	224000	Shoe			
38	331448	Lever Guide	101	106301	1/4 Self-Tap Screw	164	226525	Horizontal Shaft	226	402177	Knob, Shoe Handle			
39	600411	Screw	102	000491	Lube Applicator	165	600150	6mm Hex Nut	*227	235207	Motorcycle Clamp Tall			
40	600211	Washer	103	106259	Lube Bottle	166	600679	6mm Washer	235225	Motorcycle Clamp Short				
41	181495	8mm x 6 Nylon Tube	104	181359	Air Flate Pedal Guard-Red	167	601257	6mm Hex Nut	*228	225640	Motorcycle Shoe Adapter			
42	415860	Fee, 8mm Tube	105	181483	Side Panel Assy.	168	327294	Stern	229	181435	Extension, Sw. Pedal			
43	181496	8mm x 3/4 Nylon Tube	106	181410	Air Flate Pedal	169	181519	1/4-20 x 1" H.H.C.S.	230	600213	10mm Washer			
44	422682	Muffler	107	104611	3/8 Jam Nut N.F.	170	227297	Support Tube	231	600379	10mm x 20mm H.H.C.S.			
45	229059	Valve, B.L. Cyl.	108	104613	3/8 Ext. Lock Washer	171	181603	AC Power Cord	232	181493	7 GA. Spacer			
46	231378	Valve, TT & Tower	109	104610	3/8 Jam Nut N.F.	172	120408	1/2-20 x 1 1/2 H.H.C.S.	233	181494	14 GA. Spacer			
47	600291	4mm x 20mm SHCS	110	104612	3/8 Lock Washer	173	181384	Filter-Lubricator Clamp	234	181438	Stop Pedal			
48	601022	6mm Hex Nut	111	181408	Valve Bracket, Air Flate	174	181369	1/2-20 Nyloc Nut	235	106455	Clevis Pin			
49	600366	6mm x 40mm H.H.C.S.	112	106302	3/8 - 16 x 1 H.H.C.S.	175	600379	10mm x 20mm H.H.C.S.	236	190163	1/4-20 x 3/8 SW.H.S.			
50	331381	Connecting Link	113	601022	6mm Self Lock Hex Nut	176	424275	10mm Washer	238	228717	Slide Stop			
51	331400	Base	114	106303	1/4 Whiz Lock Nut	177	235110	Mount-Demount Head	239	601295	8mm x 16mm SHCS			
52	331450	Spacer	115	104674	Bushing 3/4 Valve	178	428681	Plastic Bumper	240	143169	1/4 - 20 Whiz Lok Nut			
53	325050	Spacer, Pedal	116	104673	Bushing 3/8 Valve	179	601274	10mm x 12mm Set Screw						
54	671524	5mm Hex Nut	117	106298	3/4 Valve Ported 3/4-18 N.P.T.	180	326534	Vertical Shaft						
55	425014	Connecting Rod	118	104600	Valve Comp.	181	600643	3.5mm x 6.5mm Screw						
56	600297	5mm x 16mm SHCS	119	181518	3/8-16 x 2" SW.H.S.	182	426763	Tube Guide						
57	231447	Clamp Cyl Pedal	120	600349	4mm x 12mm Screw	183	431061	Guide Bushing						
58	331383	Support, Conn Rod												

PNEUMATIC INFLATOR

(Note: Available as a kit for older machines - Order P/N 109576)



REF. NO.	PART NUMBER	DESCRIPTION	REF. NO.	PART NUMBER	DESCRIPTION	REF. NO.	PART NUMBER	DESCRIPTION
300	330782	Nozzle - Air Flate.....	340	106350	End Cap, 1/4" Valve.....	382	000372	1/4 NPT St. ELL.....
301	430829	B.S.P.T. x 14mm Elbow Assy...	341	104651	Spring, 1/4" Valve.....	383	414876	Ftng - 1/4 B.S.P.T. x 8mm Tube.....
302	181162	Table Top Cyl. Seal Kit.....	342	104652	Poppet, 1/4" Valve.....	384	316199	6mm Tube Nut.....
303	181347	10mm x 10" Nylon Tube.....	343	104573	1/4" Straight Fitting.....	385	316198	8mm Tube Nut.....
304	101346	1/2" Hose Clamp.....	344	105671	End Cap, 1/4" Valve.....	386	318362	10mm Tube Nut.....
305	430828	O-Ring, Air Flate.....	345	102468	Poppet Spring.....	387	329058	Pedal Stop.....
306	423781	O-Ring.....	346	104649	Poppet, 1/4" Valve.....	388	109572	Decal-Danger.....
307	180163	6mm x 16 1/2" Nylon Tube.....	347	181375	1/4" x 61" Hose.....	389	180060	Decal-Warning.....
308	180162	6mm x 12 1/2" Nylon Tube.....	*348	181163	B.L. Cylinder Seal Kit.....	*390	331090	Barrel-B.L. Cyl.....
309	180173	6mm x 25" Nylon Tube.....	349	181499	6mm x 8" Nylon Tube.....	391	233127	Piston/Rod Assy - B.L. Cyl.....
310	329057	Lever Guide.....	350	414859	Tee - 1/4 B.S.P.T. x 6mm Tube.....	*392	330217	Front Cap B.L. Cyl.....
311	230618	Valve - Air Motor.....	351	181500	6mm x 41" Nylon Tube.....	393	600112	8 mm Hex Nut.....
312	181453	Hose - 1/4" x 27 1/2".....	352	107517	Gauge Lens, Screw-On.....	394	600320	8 mm x 20 mm S.H.C.S.....
313	181215	10mm x 22" Nylon Tube.....	353	107980	Air Gauge, w/Flange.....	*395 ▽	181619	Motorcycle Kit Tail.....
314	181214	10mm x 20" Nylon Tube.....	354	000481	1/4" x 6" Hose.....	181257	Motorcycle Kit Short.....	
315	181495	8mm x 6" Nylon Tube.....	355	000376	90-Degree Fitting.....	396	106285	1/4" Hose 18" Lg.....
316	181460	8mm x 36" Nylon Tube.....	356	181039	Manifold.....	397	106281	1/4" Hose 20" Lg.....
317	181461	8mm x 44" Nylon Tube.....	357	103737	Release Valve.....	398	104844	1/8" Straight Fitting.....
318	180167	6mm x 47 1/2" Nylon Tube.....	358	410419	Air Chuck.....	399	109493	Straight Fitting 5/8" Hose x 3/4 NPT.....
319	181497	6mm x 138" Nylon Tube.....	359	104583	1/4" x 48" Hose.....	400	109487	Gauge.....
320	181206	Muffler.....	360	181498	6mm x 6" Nylon Tube.....	401	109481	1/4 - 1/8 Bushing.....
321	181195	1/2 - 1/4 NPT Reducing ELL.....	361	180168	6mm x 38" Nylon Tube.....	402	181392	Regulator.....
322	181207	1/4 NPT Close Nipple.....	362	181462	1/4" x 17" Hose.....	403	000378	1/4" Straight Fitting.....
323	181191	Valve - Quick Exhaust.....	363	414867	Ftng. 1/4" B.S.P.T. x 8mm Tube.....	404	101428	1/4" Hose Clamp.....
324	419140	Ftng - 1/4 B.S.P.T. x 10mm Tube.....	364	000372	1/4" St. Ell.....	405	109472	1/8" Inline Filter.....
325	000580	1/4 NPT Close Nipple.....	365	181517	Filter - Lub. Assy.....	406	109469	Volume Chamber.....
326	120490	1/2 - 1/4 Reducing Bushing.....	367	000643	1/4" Tee.....	407	109470	1/8" Tee - 1/8" Male Branch.....
327	181190	Air Motor.....	368	180174	AC Power Cord.....	408	109471	1/8" Close Nipple.....
328	000525	1/4" Lock Nut.....	369	101898	1/4" Hose Fitting.....	409	109468	Pressure Repeater.....
329	106302	1/4" Whiz-Lock Screw.....	370	101427	Hose Clamp.....	410	104844	1/8" Straight.....
330	181196	Bracket-Air Motor.....	371	101033	1/4" x 30" Hose.....	411	181145	1/4" Hose x 8" Lg.....
331	120325	1/4 x 1" S.W.H.S.....	372	000572	1/4" x 90° St. ELL.....	412	104969	Air Check Valve.....
332	181200	Angle WAssy.....	373	106188	Strainer Screen.....	413	000580	1/4" Close Nipple.....
333	181175	10mm x 42" Nylon Tube.....	374	181318	Surge Tank.....	414	108964	1/4" Tee With 1/8" Port.....
334	181515	10mm x 12" Nylon Tube.....	375	101312	Reducing Bushing.....	415	109466	Valve.....
336	181502	1/4 NPTX 1/4 Nylon Elbow.....	376	000580	1/4 NPT Close Nipple.....	416	000643	1/4" Brass Tee.....
337	120271	1/2" x 9" Hose.....	377	104968	Safety Valve.....	417	143169	1/4" 20 Whiz Lock Nut.....
338	101428	Hose Clamp.....	378	181205	V-Belt.....	418	120408	1/4" 20 x 1-3/4" H.H.C.S.....
339	000378	1/4" Brass Straight Fitting.....	379	181204	Sheave.....	419	103649	1/4" Hose x 12" Lg.....
			381	181459	8mm 50" Nylon Tube.....			

* Indicates accessory items

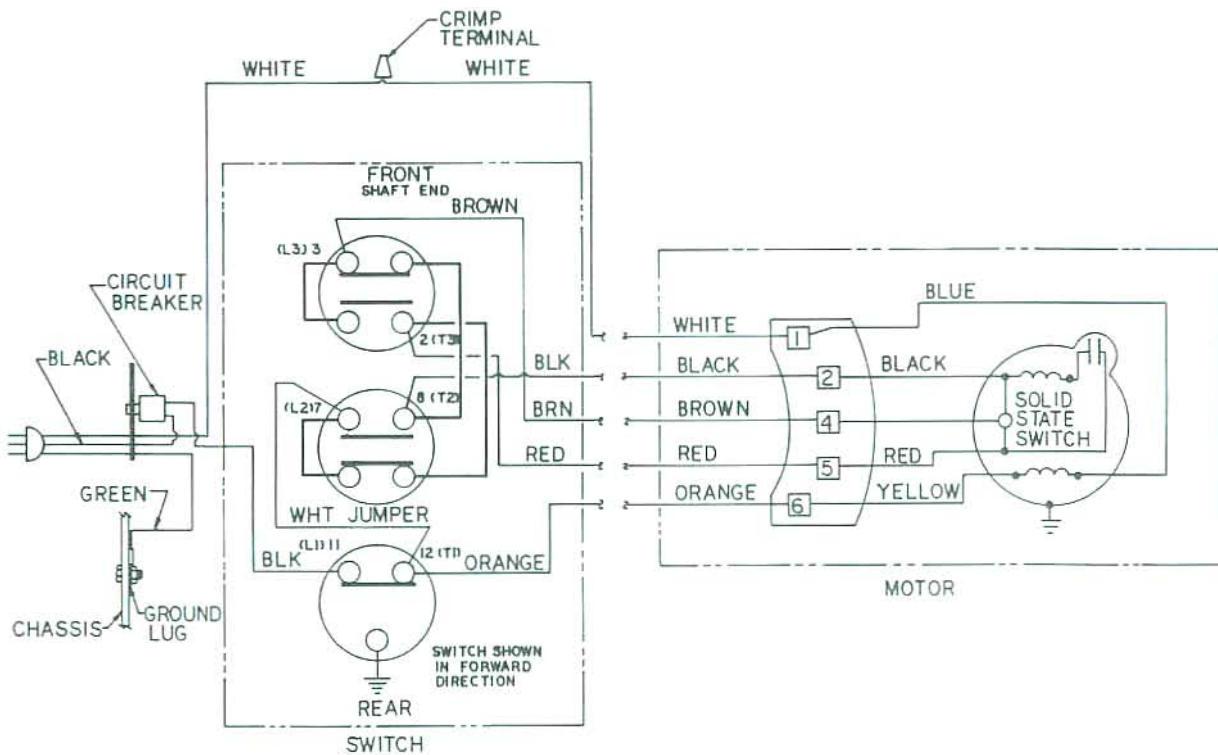
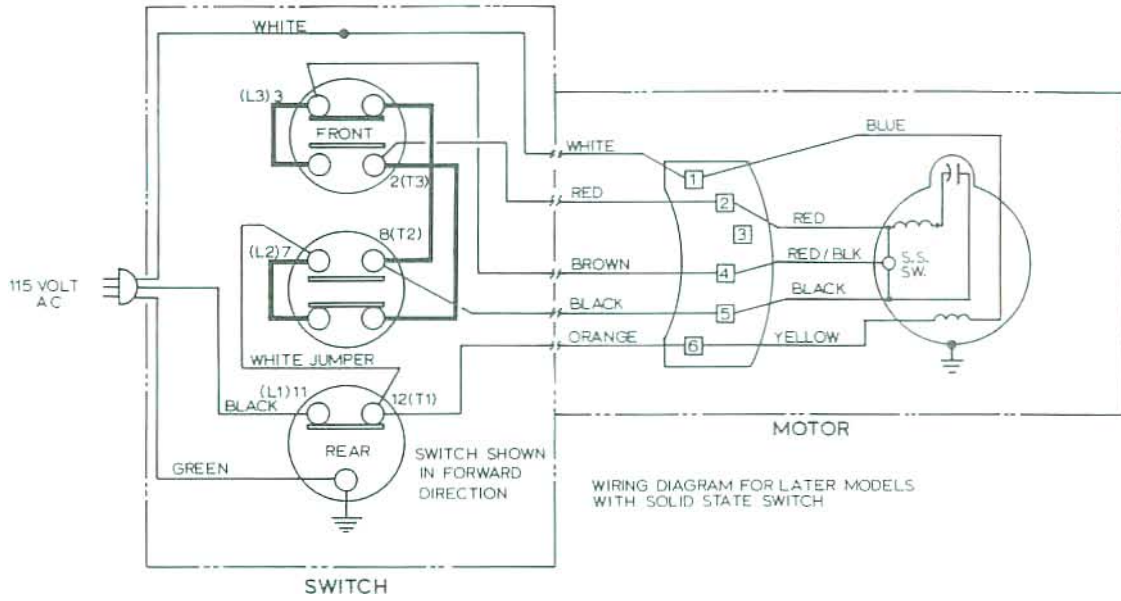
▽ Indicates similar parts that are not interchangeable with older machines.

When ordering parts always give the following information:

(1) Part Number (2) Description (3) Serial Number of Your Machine

ELECTRICAL DIAGRAMS

REVIEW MODEL FOR PROPER DIAGRAM BEFORE REPAIR OR ORDERING PARTS



RC-20AA SPECIAL INSTRUCTIONS

The RC-20AA uses only one power source. Compressed air at 110 to 175 PSI should be supplied to the air inlet hose at the rear of the machine.

(Recommended compressor size is 5 horsepower capable of 14 - 15 CFM at 150 PSI).

Service the Filter-Lubricator Unit Weekly:

1. Drain moisture from filter unit by unscrewing knob on bottom of bowl. Tighten knob by hand when finished draining.
2. Refill lubricator unit with SAE 10w non-detergent oil as required. Disconnect air supply and check oil by removing large knob next to sight glass on top of unit. Lubricator may also be drained by turning knob on bottom of bowl.
3. Adjust drip rate of lubricator if required to 1 drop of oil in the sight glass every 1 - 1½ minutes. Adjust by turning the small screw on top of the lubricator clockwise to close and then counter clockwise ¼ turn.

TRANSMISSION LUBRICATION GUIDE

Check the fluid level in the tabletop transmission using the oil check dip stick. If any fluid shows on the dip stick it is properly filled. If necessary, add high quality SAE 80/90 gear lubricant until it shows on the dip stick.

AIR GAUGE RECALIBRATION

1. Remove lens assembly from gauge.
2. Loosen two screws located on edge of dial face in the 10 o'clock and 2 o'clock positions.
Caution: Do not loosen over three turns.
3. Pressurize gauge with 32 psi measured from a standard gauge.
4. Rotate top dial until 32 psi graduation is in line with the pointer.
5. Tighten the two screws—check alignment of pointer with graduation.
6. Replace lens.