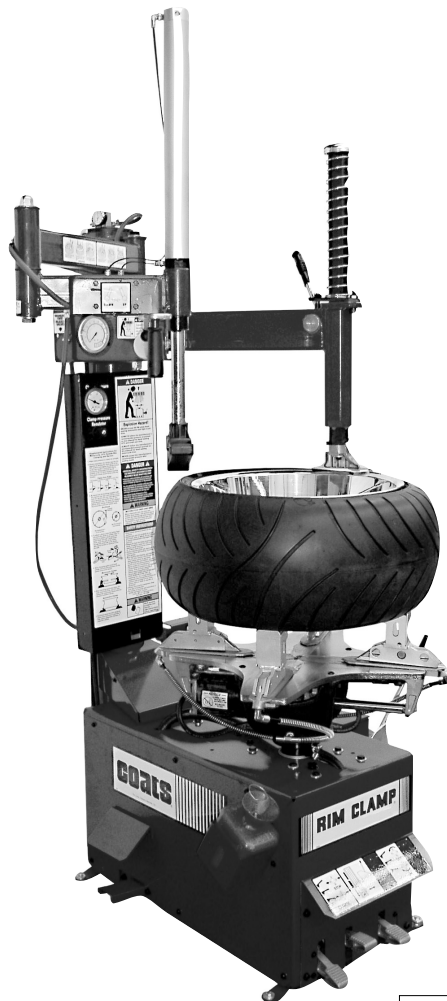


COATS®

RC-200EX, RC-150EX Rim Clamp® Tire Changer

*For servicing motorcycle and ATV
tire/wheel assemblies as well as automotive
and most light truck tire/wheel assemblies (holds 6
to 8-inch wheels for manual tire install and removal)*



Parts Identification

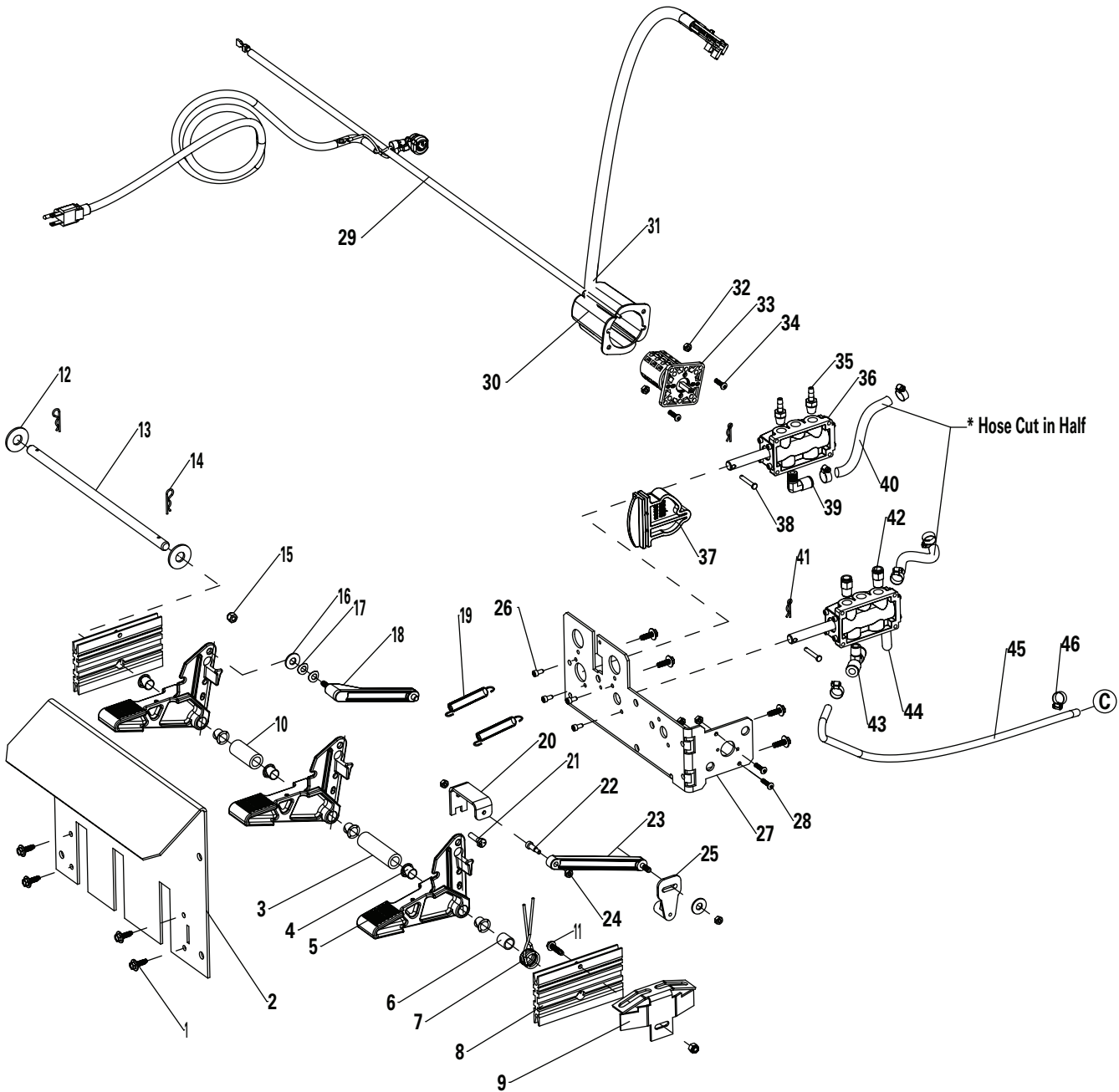
READ these instructions before placing unit in service KEEP these and other materials delivered with the unit in a binder near the machine for ease of reference by supervisors and operators.

HENNESSY INDUSTRIES, INC.

1601 J. P. Hennessy Drive, LaVergne, TN USA 37086-3565 615/641-7533 800/688-6359 www.amccoats.com
HENNESSY INDUSTRIES INC. Manufacturer of AMMCO®, COATS® and BADA® Automotive Service Equipment and Tools.

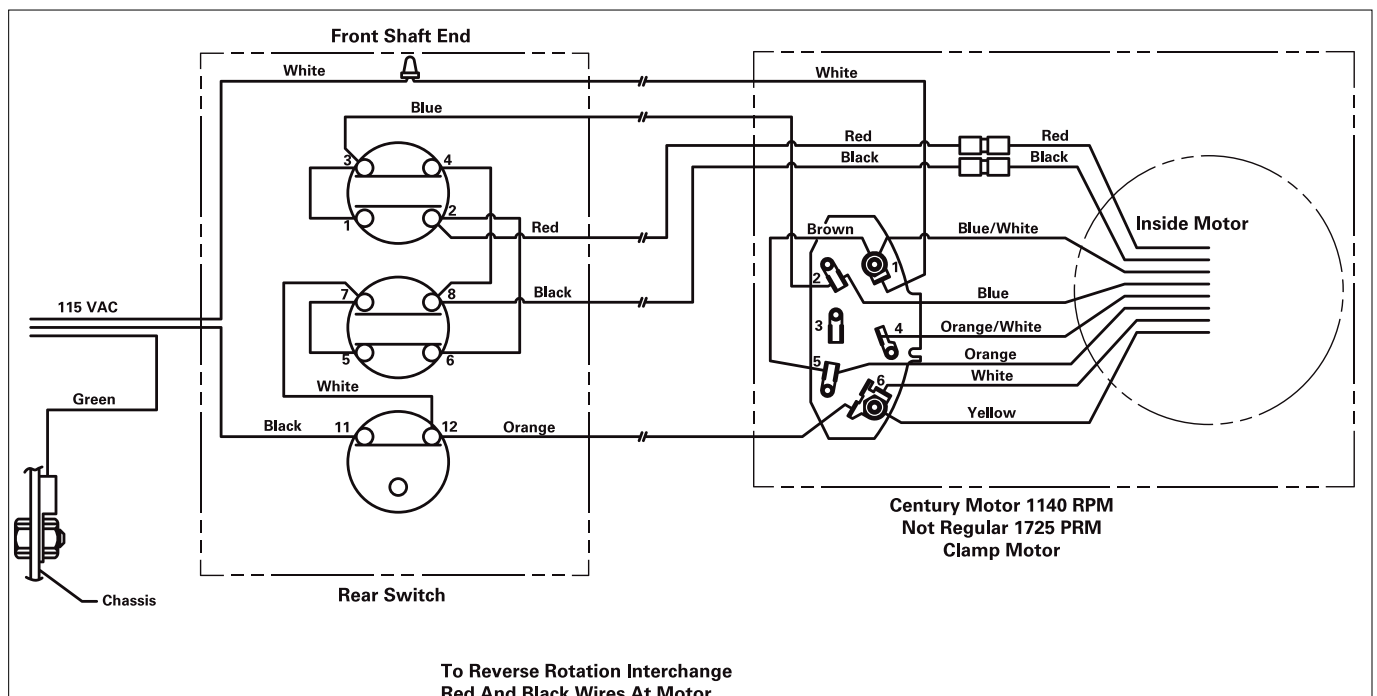
Manual Part No.: 8184671 05
Revision: 11/06

Foot Pedal Assembly

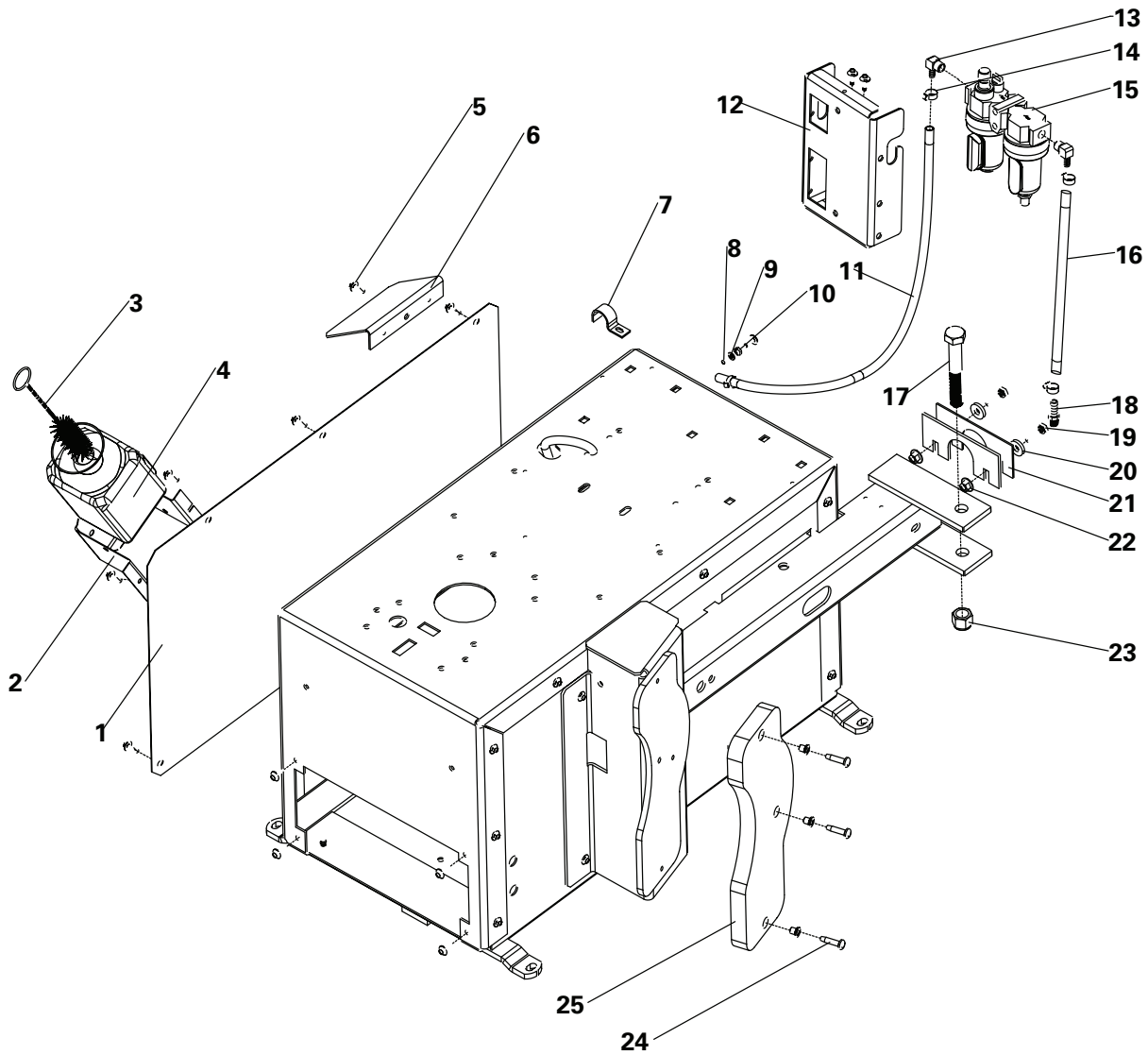


Ref	Part No.	Description	Ref	Part No.	Description
1	8106301	Hex Washer Head Screw	30	8181959	Rubber Boot Cover
2	8182586	Guard	31	8184628	Motor Cable Assembly
3	8182327	Pedal Spacer	32	8182682	10/24 UNC Centerlock Hex Nut
4	8181948	Nyliner Bearing	33	8182957	Reversing 2HP Switch
5	8181675	Standard Pedal	34	8181983	10-24 x .75, BHSCS Screw
6	8181872	Spring Sleeve	35	8000378	1/4 NPT Straight Barbed Fitting
7	8181707	Torsion Spring	36	8181986	4-way Valve
8	8181918	Bar Spacer	37	8181695	Mounting Block Cam
9	8182670	Guide Bracket	38	8181977	Clevis Pin
10	8181911	Pedal Spacer	39	8184256	1/4 x 1/4 Male Elbow
11	8104945	1/4 x 1 Self Tapping Bolt	40	8184459	3/8 x 25" Black Rubber Hose
12	8301121	Plain Washer	41	8120469	Hair Pin Clip
13	8183398	Pedal Shaft	42	8101898	3/8 Straight Barb Fitting
14	8111609	Hairpin Cotter	43	8184467	1/4 NPT x 3/8 Male Branch Tee
15	8181369	1/4-20 UNC Nut	44	8182734	1/4 18NPT Brass Muffler
16	8107635	5/16 Std Flat	45	8184457	3/8 x 25" Red Rubber Hose
17	8181981	5/16" Wave Washer	46	8101427	Hose Clamp
18	8181696	Cam Follower Lever	*47	8181587	Circuit Breaker
19	8181708	Extension Spring			
20	8182363	Elec. Switch Ext. Bracket			
21	8181984	1/4-20 x 1.00 HHCS			
22	8182743	Shoulder Screw			
23	8181699	Switch Lever			
24	8182682	10/24 UNC Centerlock Hex Nut			
25	8181728	Switch Actuator Lever			
26	8181989	SHCS 10-24 UNC Screw			
27	8183031	Switch/Valve Bracket			
28	8181983	10-24 x .75, BHSCS Screw			
29	8181956	Power Cable Assembly			

(* not shown)

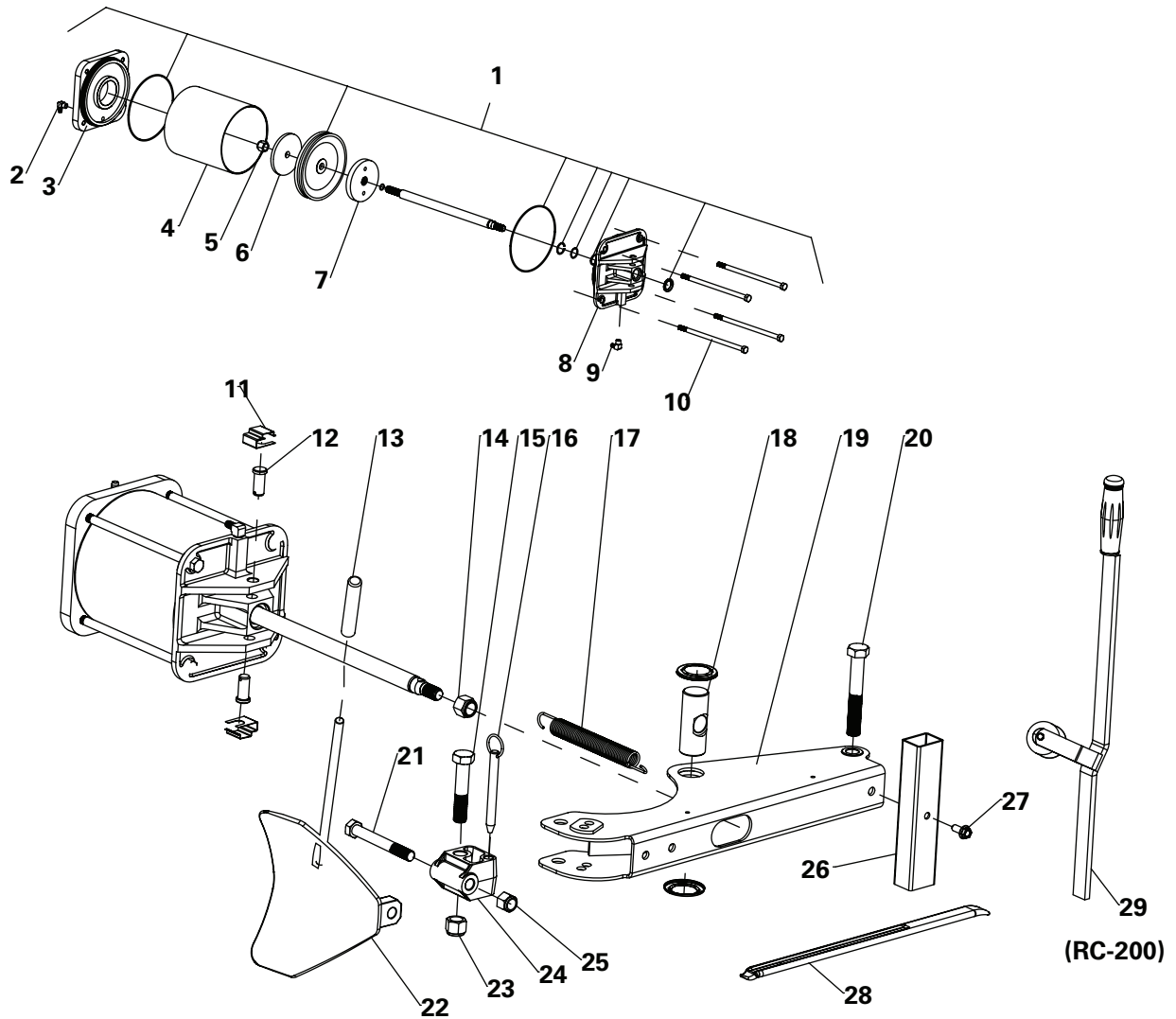


Chassis



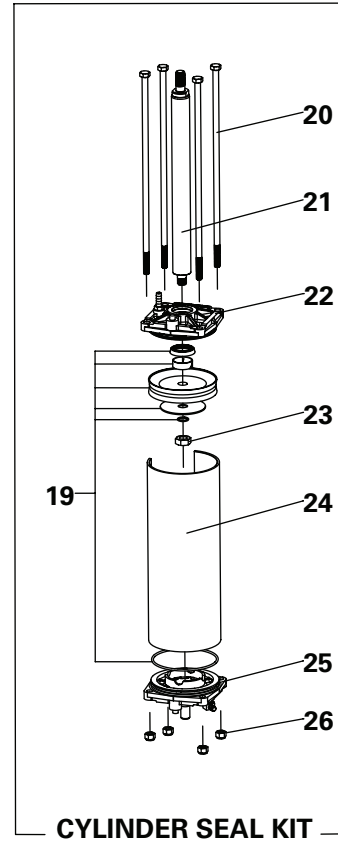
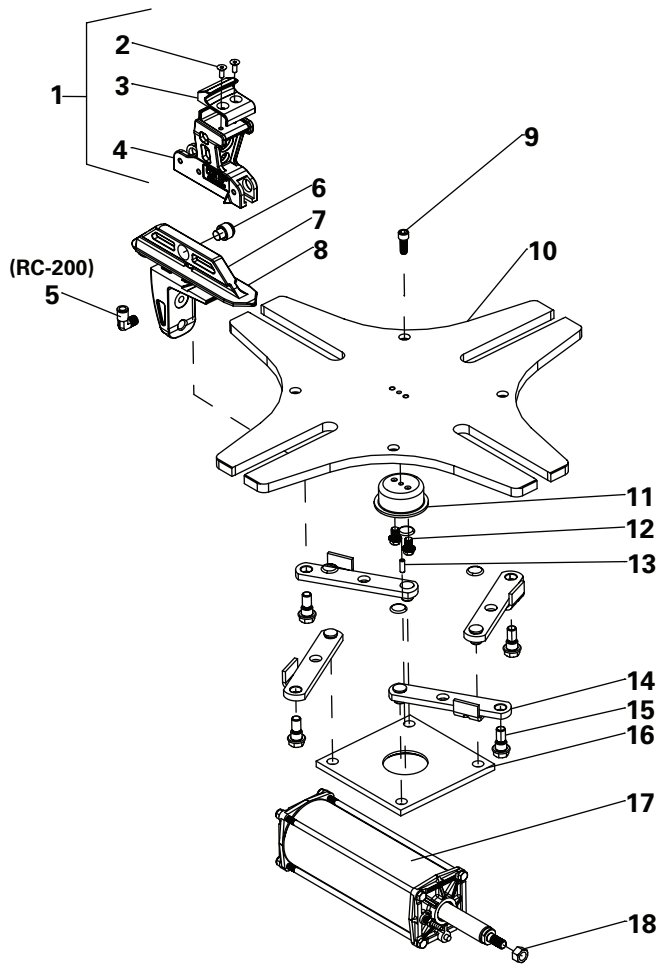
Ref	Part No.	Description	Ref	Part No.	Description
1	8182807	Side Panel Cover	21	8182076	Shim Kit
2	8182809	Lube Bottle Bracket	22	8120424	3/8-16 UNC Washer
3	8000491	Applicator Lube	23	8182016	3/4-10 UNC, Lock Nut
4	8106259	Lube Bottle	24	8182088	Torx Pan Hd Selt Tap
5	8106301	Hex Washer Head Screw	25	8184584	Bead Loosener Pad
6	8182811	Inflation Cover			
7	8104564	Ring Fastener (RC200)			
8	8150441	1/4" Star Lockwasher			
9	8301142	1/4" Spring Lock Washer			
10	8107440	1/4-20 Hex Nut			
11	8182497	.375 ID x 36 Hose			
12	8183770	Filter/Lubricator Bracket			
13	8184256	90 ELL Fitting			
14	8101428	Worm Hose Clamp			
15	8182827	Filter/Lubricator w/Auto Drain			
16	8181147	Inlet Hose			
17	8182579	3/4-10 x 5 Hex HD			
18	8101898	3/8 1/4 NPT Hose Fitting			
19	8107715	3/8-16 UNC x 1 1/4"			
20	8000240	Special Washer			

Bead Loosener Arm Assembly & Cylinder



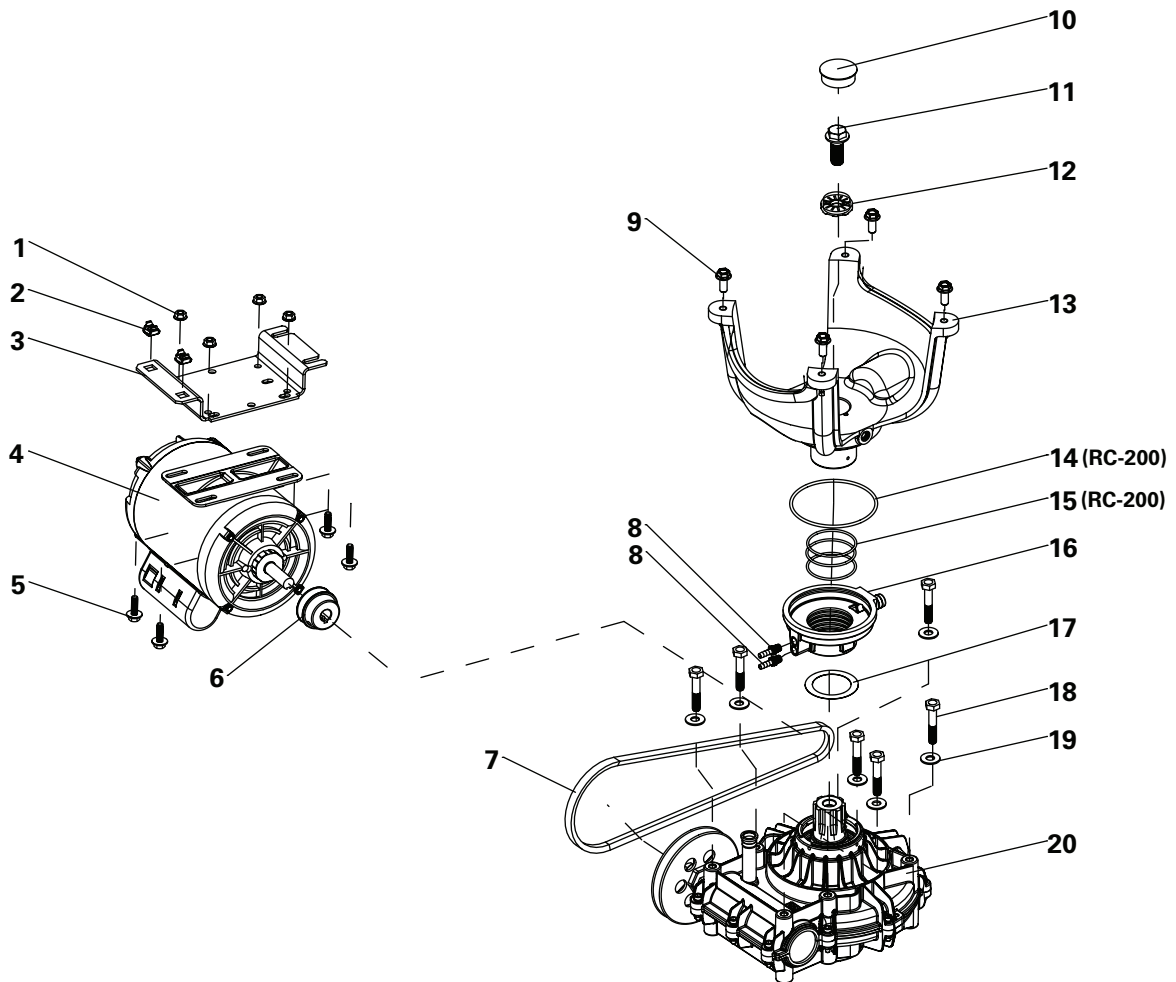
Ref	Part No.	Description	Ref	Part No.	Description
1	8182079	Cylinder Seal Kit	21	8182011	HHCS 5/8"-11 UNC
2	8184256	Male Elbow Fitting	22	8183529	Handle & Pivot Shoe Assembly
3	8183310	Cap Bottom	23	8182016	3/4-10 UNC, Lock Nut
4	8181574	Barrel	24	8181951	Pivot Block
5	8182016	3/4-10 UNC Lock Nut	25	8182043	5/8-11 Gr.5 Nylon
6	8181860	Washer, B.L. Lower Cylinder	26	8183666	Storage Tube
7	8183519	Shaft/Washer Assembly	27	8106302	3/8-16 x .875 Hex Washer
8	8183309	B.L. Cylinder Cap Top	28	8181354	Bead Lifting Tool
9	8184256	Male Elbow Fitting	29	8184600	Handle Assembly
10	8181862	Tie Bolt 8" Cylinder			
11	8181912	Clip Clevis Retainer			
12	8181949	Clevis Pin			
13	8107107	Handle Grip			
14	8182016	3/4-10 UNC Lock Nut			
15	8182009	HHCS 3/4"-10 UNC			
16	8120326	B.L. Detent Pin			
17	8180230	Spring Extension			
18	8182550	B.L. Shaft Pivot Pin			
19	8182002	Bead Loosener Arm			
20	8182579	3/4-10 x 5 Hex HD			

Table Top Assembly



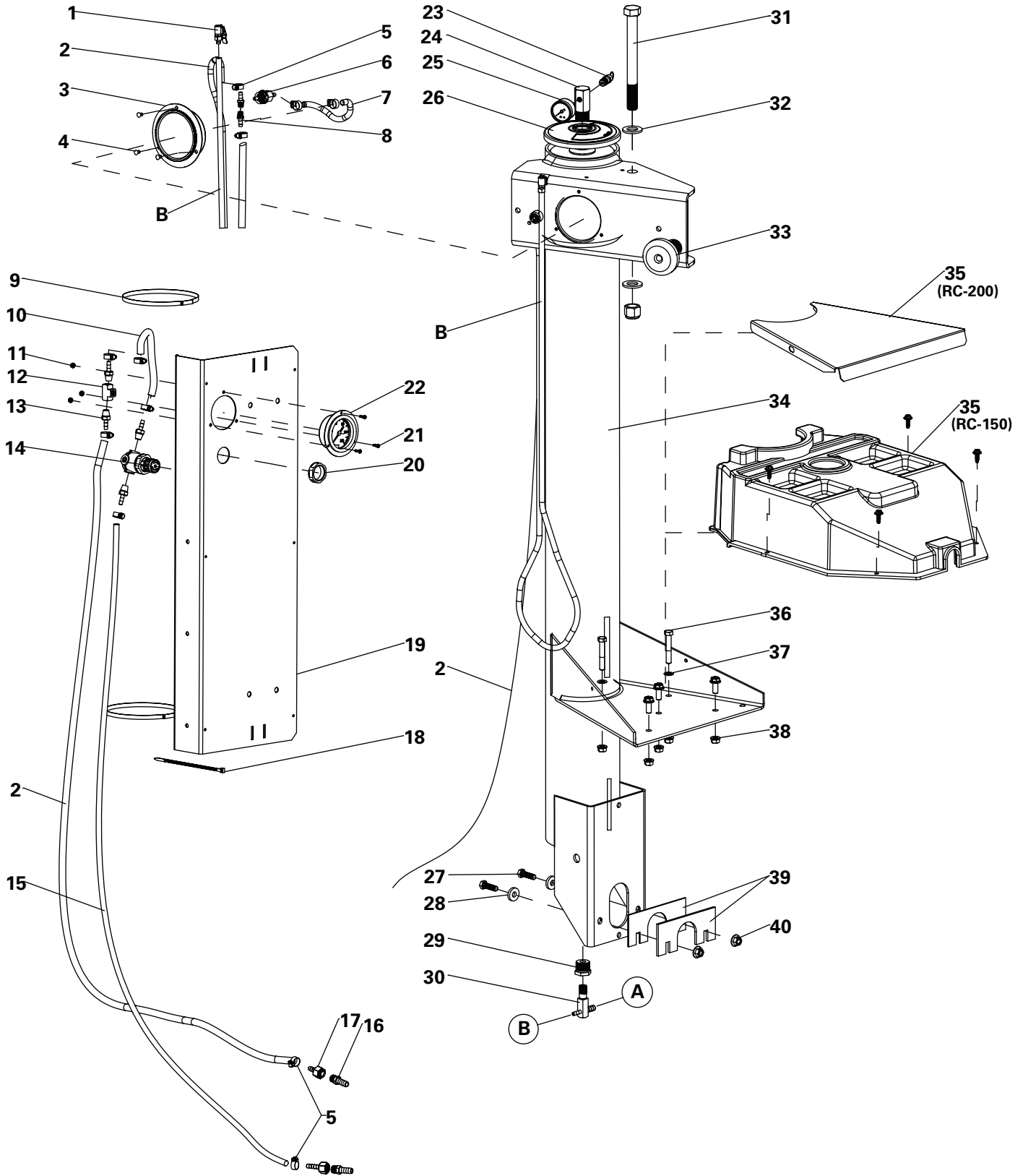
Ref	Part No.	Description	Ref	Part No.	Description
1	8184574	Clamp Assembly	21	8181629	Tabletop Cylinder Shaft
2	8183230	Flat Hd. Soc. Cap Screw	22	8181620	Cylinder Top Cap
3	8183248	Plastic Jaw Clamp	23	8182719	1/2-13 Locking Jam Nut, Gr.5
4	8184570	Motorcycle Clamp	24	8181627	Cylinder Sleeve
5	8181998	Male Elbow Fitting (RC200)	25	8181622	Cylinder Bottom Cap
6	8182250	Plunger Assembly	26	8181183	5/16-18 Nylon Insert Lock Nut Gr.5
7	8182248	Carrier Cover Clamp			
8	8182249	Carrier Cover Clamp			
9	8181929	Bolt-Soc. Hd Cap Screw			
10	8182952	Table Top Plate			
11	8181733	Pivot Block Clamp			
12	8183452	Flange Whiz-Lock Screw			
13	8183476	Roll Pin			
14	8181734	Pivot Link Weld Assembly			
15	8182279	Link Bolt			
16	8181731	Pivot Plate			
17	8182613	Cylinder Assembly			
18	8101039	1/2 Lock Nut			
19	8183811	Cylinder Seal Kit			
20	8181633	Tabletop Cylinder Tie Bolt			

Shaft Housing Assembly



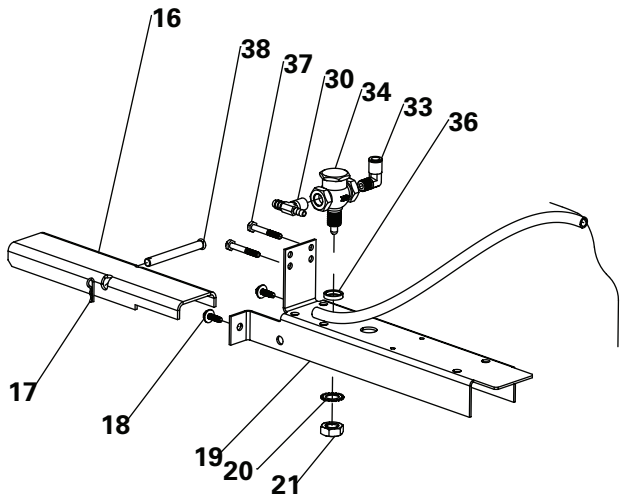
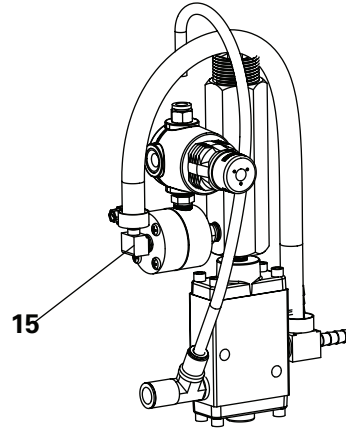
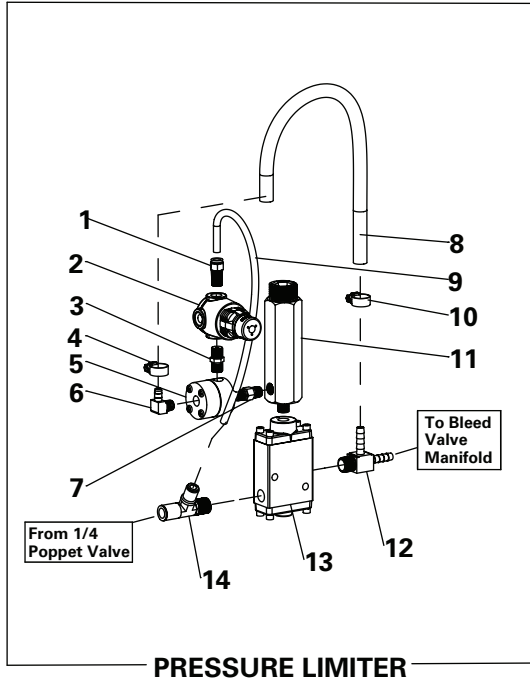
Ref	Part No.	Description
1	8182178	Whiz Lock Nut
2	8143044	3/8-16 Nut Tinnerman
3	8181931	Motor Mounting Bracket
4	8184725	1200 RPM Motor - (See Wiring Diagram)
5	8120325	5/16 x 1.00 Serrated Bolt
6	8181204	Motor Pulley
7	8180047	V-belt
8	8183369	1/4" Hose Fitting
9	8106302	3/8-16 x .875 Hex Washer
10	8182627	Cap Plug
11	8181742	Ser. Hex Flange Bolt
12	8182979	16 MM Bolt Washer
13	8181990	Spider Assembly
14	8181713	O-ring Seal
15	8181712	O-ring Seal
16	8181349	Rotary Coupling
17	8183156	Special Washer
18	8182040	Hex HD Cap Screw
19	8301032	3/8" Flat Washer
20	8183504	Transmission Assembly

Tower & Pressure Assemblies

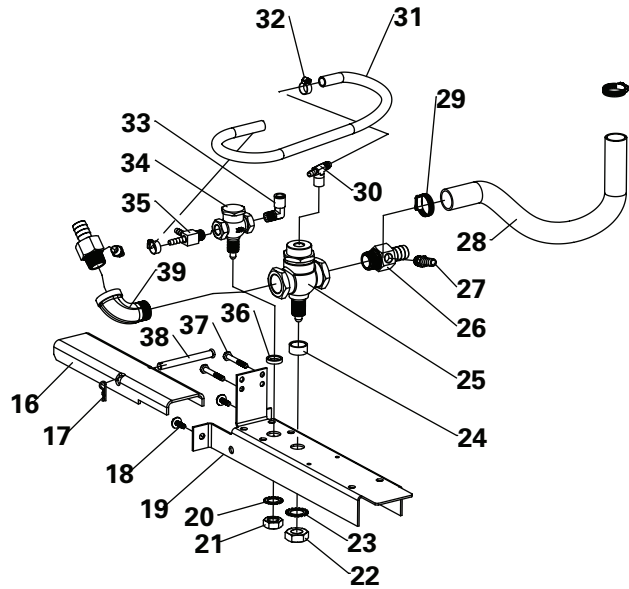


Ref	Part No.	Description
1	81825963	Inflation Hose Assembly
2	8182090	1/4" x 61" Hose
3	8107980	Air Gauge
4	8107983	Plastic Fastener
5	8101428	Hose Clamp
6	8183502	Bleed Valve Manifold Assy.
7	8000481	1/4" x 6" Hose
8	8000378	1/4" Brass Str. Fitting (RC200)
9	8182221	6" Hose Clamp
10	8000461	1/4" ID Black Hose, 12"
11	8301066	6-32 Kep Hex Nut
12	8184726	1/8 NPT Tee
13	8000378	1/4" Straight Fitting
14	8184673	Air Regulator - Removable Knob
15	8183421	1/4" ID Red Hose, 73"
16	8101898	3/8 1/4 NPT Hose Fitting
17	8108605	Coupler
18	8120441	Nylon Cable Tie
19	8184581	Gauge Cover
20	8184652	Panel Nut
21	8301063	6-32 x 1/2" PPHMS Screw
22	8184588	2 1/2", 0-200 PSI Gauge
23	8182599	Safety Valve
24	8109784	Manifold (RC150)
	8183434	Manifold (RC200)
25	8108968	Gauge
26	8182458	Tower/Receiver Cap
27	8107715	3/8-16 UNC x 1 1/4"
28	8000240	Special Washer
29	8101312	Bushing (RC150)
	8106188	Strainer Screen (RC200)
30	8107234	1/4" Tee Fitting (RC150)
	8104573	3/4" Straight Fitting (RC200)
31	8181172	Hex Head Bolt (RC150)
	8183635	Hex Head Bolt (RC200)
32	8182457	.812 ID x 1 1/2 OD
33	8181114	Adjusting Assembly Knob
34	8182305	Air Receiver Tower (RC150)
	8183622	Air Receiver Tower (RC200)
35	8181964	Plastic Tray (RC150)
	8182805	Upper Cover (RC200)
36	8181137	3/8-16 x 2.25 HHCS Screw
37	8101018	Washer
38	8106303	3/8-16 UNC
39	8182076	Shim Kit
40	8120424	3/8-16 UNC Washer

Pressure Limiter & Inflation Bracket Assemblies



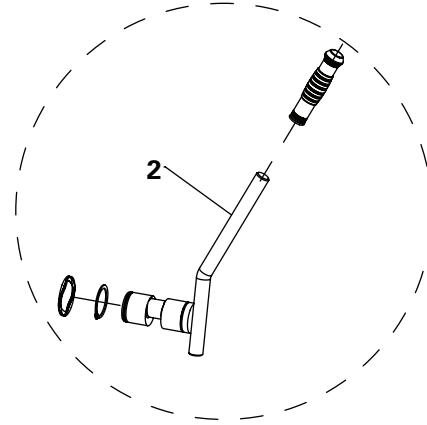
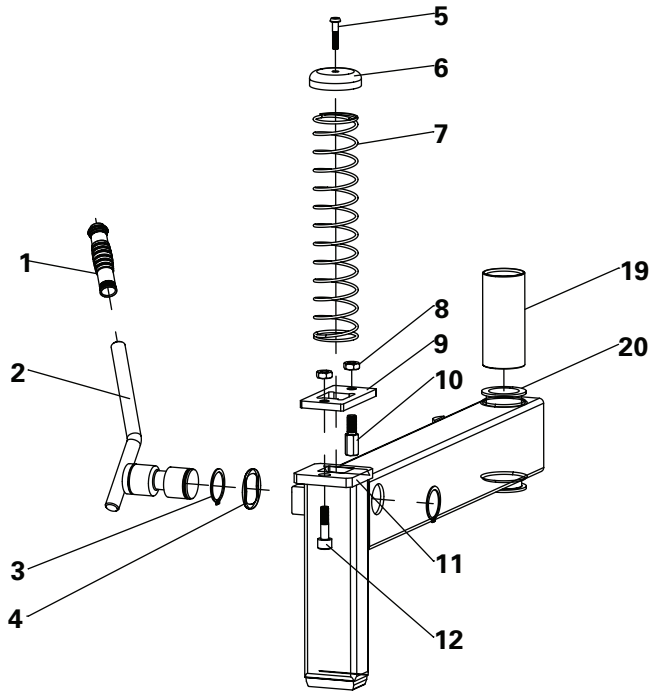
Inflation Bracket RC-150



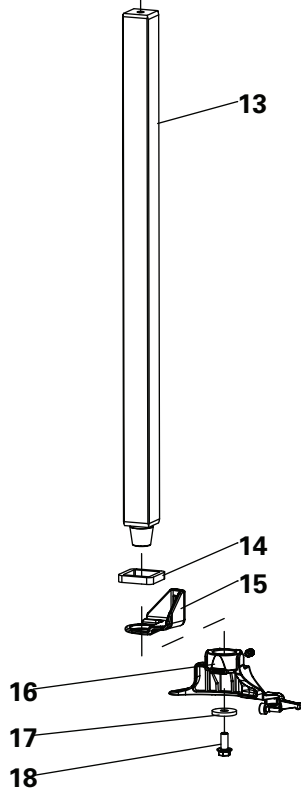
Inflation Bracket RC-200

Ref	Part No.	Description
1	8182035	Male St. Fit. 1/8 NPT x 1/4 Tube
2	8111083	Regulator
3	8109472	1/8" Inline Filter
4	8101428	Hose Clamp
5	8109468	Pressure Repeater
6	8110497	90 Deg. Male Elbow Fitting
7	8109471	1/8" Brass Hex Nipple
8	8103649	1/4" Hose x 12" Lg.
9	8182037	Nylon Tube 1/4 OD x 10" Lg.
10	8101428	Hose Clamp
11	8110496	Volumn Chamber
12	8110325	1/4" NPT Male Run Tee
13	8109466	Piloted Valve
14	8111255	Spl Tee-1/4 NPT x 3/8 x 1/4 Tube
15	8111186	Pressure Assembly
16	8181933	Pedal Inflation Valve
17	8107407	Hitch Pin Retainer
18	8143169	1/4-20 Whiz Lock Hex Nut
19	8181932	Valve Bracket
20	8104613	5/8 External Lk Washer
21	8104610	3/4-16 Jam Nut
22	8104611	5/8-11 Jam Nut (RC200)
23	8104612	3/4 External Lk Washer (RC200)
24	8104674	3/4" Valve Bushing (RC200)
25	8106298	3/4 Poppet Valve (RC200)
26	8182020	3/4 NPT x 3/4 Hose Fitting (RC200)
27	8101898	3/8 1/4NPT Hose Fitting
28	8181993	3/4 ID x 15-1/2 Hose (RC200)
29	8107924	.5 to 1.25 ID Hose Clamp
30	8184469	1/4 NPT, 3/8" Fitting
31	8102048	1/4" ID Hose (RC200)
32	8101428	Worm Hose Clamp
33	8181998	Male Elbow Fitting
34	8104600	1/4 Poppet Valve
35	8000378	1/4 NPT Male Run Tee
36	8104673	1/4" Valve Bushing
37	8120408	1/4-20 x 1-3/4 HHCS Screw, Gr. 5
38	8180103	Standard Clevis Pin
39	8000572	3/4 x 90 Deg Plastic Ell (RC200)

Swing Arm Assembly

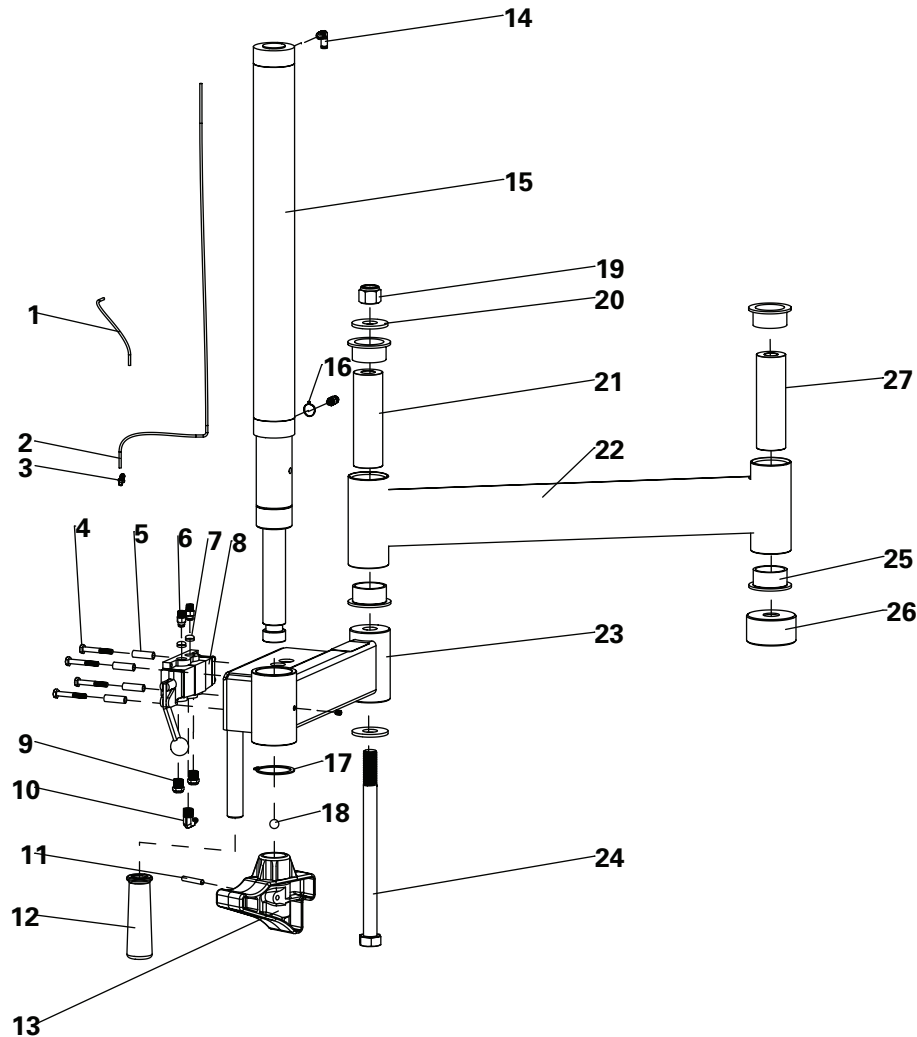


RIGHT LOCK HANDLE-RC 200



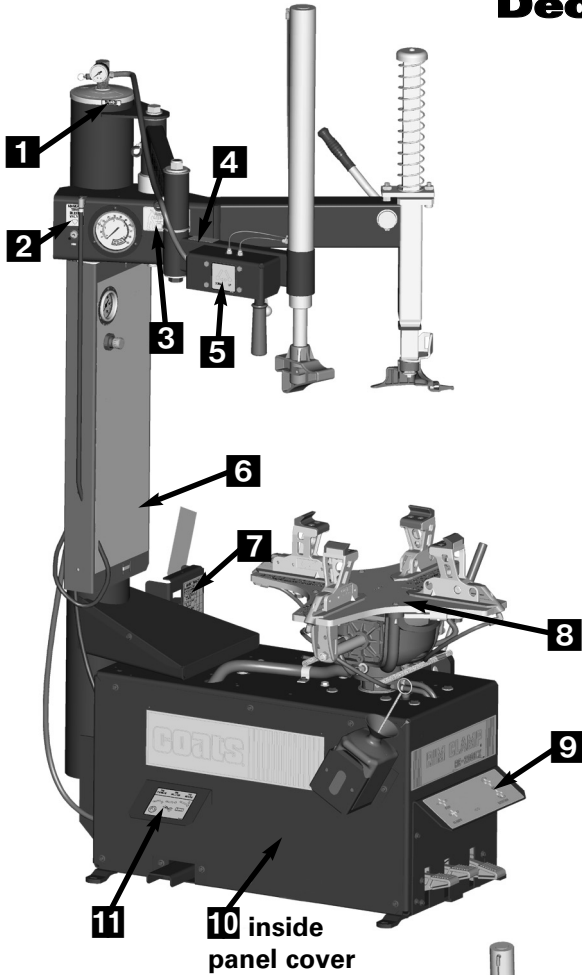
Ref	Part No.	Description
1	8100979	Handle Grip
2	8181082	LH Lock Handle (RC150)
	8183673	RH Lock Handle (RC200)
3	8181095	External Retaining Ring
4	8182371	Wave Spring Washer
5	8182029	BHSCS 5/16-18 UNC Screw
6	8181771	Vertical Slide Cap
7	8182028	Compression Spring
8	8181113	1/2"-13 Jam Nut
9	8181788	Lock Plate
10	8181035	Lift Pin
11	8182820-2	Swing Arm Assembly W/C
12	8181740	1/2-13 x 2" Soc Hd Cap
13	8182812	Vertical Slide Shaft
14	8182031	Rubber Stop Bumper
15	8184271	Receiver Bracket
16	8183355	Mount/Demount Assembly
17	8182027	1.32 OD x .406 ID Washer
18	8106302	3/8-16 Whiz Lock Screw
19	8181038	Pivot Pin
20	8182339	Washer Swing Arm Shim Kit

Short & Long Arm Assembly (RC200)

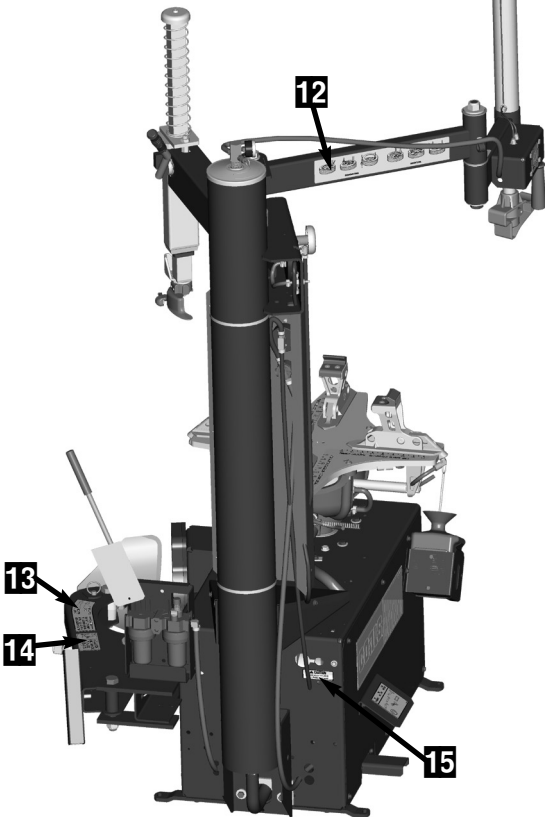


Ref	Part No.	Description	Ref	Part No.	Description
1	8183679	Tube	21	8181038	Pivot Pin
2	8183680	Tube	22	8183625	Long Arm Assembly
3	8184226	Grease Fitting	23	8183630	Short Arm Weldment
4	8120408	1/4 20 x 1 3/4 HH Cap	24	8183703	Hex Head Cap Screw
5	8183638	Stand Off Spacer	25	8182339	Washer Swing Arm Shim Kit
6	8181996	Male Straight Fitting	26	8183636	Spacer
7	8109481	1/4-1/8 NPT Reducer Fitting			
8	8183642	3 Position Valve			
9	8105615	1/4" NPT Muffler			
10	8000376	Elbow Fitting			
11	905563	Roll Pin			
12	8183639	Handle Grip			
13	8183641	Foot			
14	8181997	Fitting			
15	8183644	Special Cylinder			
16	8150124	4.00 Nylon Cable Tie			
17	8183637	Retaining Ring			
18	8301017	1/2" Ball			
19	8182016	3/4-10 UNC Lock Nut			
20	8100994	Shoe Spacer			

Decal Locations



10 inside panel cover



Inlet/Line Pressure

1 8182059 03

Manual Tire Bleed Valve

2 8109769 02

⚠ DANGER
Explosion Hazard. Never exceed 40 PSI while seating beads.

3 8109888 05

-NOTICE-
Torque Pivot Bolt At 240 Ft. Lbs.

4 8183709 04 (RC200)

DOWN UP

5 8183684 02 (RC200)

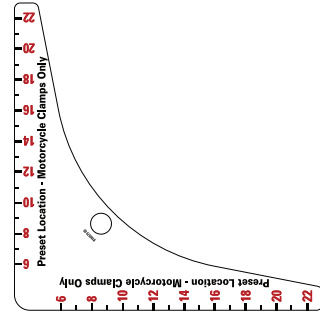
⚠ DANGER
Explosion Hazard!
40 PSI
⚠ DANGER
CAUTION
SAFETY INSTRUCTIONS
WARNING

6 8184582 00

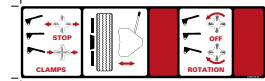
MAINTENANCE			
Check Proper Function Of Following Systems:	Task	Units	Hours
1. Tire Pressure Gauge Accuracy per 8182059	✓		
2. Oil-Air Check Valve 8101916 per 8102819	✓		
3. Pressure Control System	✓		
4. Mount/Dismount Roller	✓		
5. Mount/Dismount Head & Lock-Up Adjustments	✓		
6. Rim Clamp Claws - Wheel Bead Separators	✓		
7. Check And Clean All Safety Devices	✓		
8. Disconnect Air Supply - Check Lubricator Oil Level In Window To The Left	✓		

For copies of manuals and instructions or further information, please refer to the Equipment Operating Instructions.

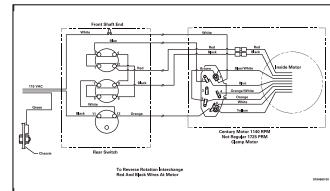
7 8183778 02



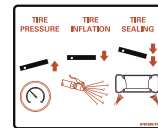
8 8184579 00



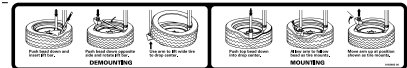
9 8183143 01



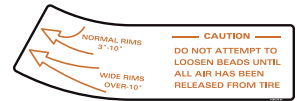
10 8184660 00



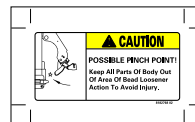
11 8181285 02



12 8183683 02 (RC200)



13 8181970 04



14 8182768 02



15 8180237 05

Useful Accessories



Kit # 8113125C
3-Pos. Extended X-Clamps
6"—22" Diameter Wheels
Automotive



Kit # 8183781
Stainless Steel
Mount/Demount Head
Automotive



Kit # 8183061
Plastic Robust
Mount/Demount Head
Automotive



Kit # 8184432
Plastic Gray
Mount/Demount Head
High Spoke Automotive



Kit # 8183604
Automotive Clamp
Plastic Bootie, Set of 10
Fits Auto Clamps Only



Kit # 8184712
Motorcycle Clamp
Plastic Bootie, Set of 4
Replacement Parts



Kit # 8183605
Lift Tool Sock
Set of 10



Kit # 8183606
Bead Loosener Shoe Sock
Set of 2



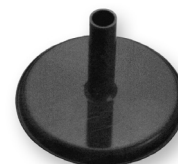
Kit # 8182963
Automotive Steel Head
Bootie, Set of 12
Fits 8183781 Only



Part # 8435685
Drop Center Aid Tool
For Wide Tires



Part # 8108028
Adjustable Tire Spreader
Requires Base



Part # 8181329
Tire Spreader Adapter
Works With Auto
Style Clamps

Rim Clamp® Tire Changer

All-Air Unit Compressed Air Requirements

COATS® 200EX Rim Clamp® tire changer requires a compressed air power source and 115V, 15AMP electrical supply. Refer to the table below for exact specifications.

Tire Changer Model	Compressor Size
150EX/200EX	5 HP

Oiler and Water Separator Maintenance

The oiler and water separator (on units so equipped) require weekly service. Oil and water levels (indicated on the level gauge on the side of each bowl) should be checked regularly.

1. Drain the water from the separator by unscrewing the petcock on the bottom of the bowl. Allow water to drain and tighten petcock securely by hand.



Use only SAE 10W non-detergent oil or an air tool oil for separator/lubricator maintenance. Do not use substitutes like brake fluid, WD-40®, Marvel Mystery Oil®, or antifreeze, as these materials will damage seals within the system.

2. Add oil to the oiler if the fluid level is greater than 1/4" from the top of the gauge. Disconnect air supply, bleed off all compressed air and remove the yellow filler plug in the top of the oiler, and add SAE 10W non-detergent oil or an air tool oil to bring the level up to 1/4" from the top of the gauge. Replace the filler plug and clean up any spilled oil.

3. Adjust the oil flow by turning the black flow adjustment ring; turning it to increase or decrease the flow. Watch the formation of oil drops in the see-through oil chamber. Continually cycle the bead loosener through full strokes and count the drops during the cycles. The delivery of oil to the air line should be about 1 drop per 10 cylinder cycles. Adjust the flow as required.

Note: An alternate adjustment method for the oil flow is to turn the knob fully clockwise to stop the flow, then turn it back counterclockwise 1/4 turn.

Transmission Lubrication

The transmission in this machine is a sealed unit packed with grease and should need no regular maintenance.

Air Gauge Check and Recalibration

1. Inflate a standard 15" passenger car tire/wheel assembly to 32 PSI. Use a high quality stick-type pressure gauge to verify the pressure. Attach the tire changer's inflation hose to the valve stem and check the pressure reading on the air gauge. If it does not read 32 PSI, recalibrate the gauge:

a. Remove the screw-on lens. Loosen the 2 screws on the face of the gauge. Loosen them just enough so that the gauge face moves. Do not remove the screws.

b. Rotate the gauge face until the 32 PSI mark is aligned with the gauge needle. Tighten the 2 screws and replace the lens.

Danger, Warning, Caution, and Instructional Decals

Always make the cleaning of these important decals a part of your regular maintenance routine. If they are damaged or illegible, replace them immediately. Your safety, and the safety of others is involved!