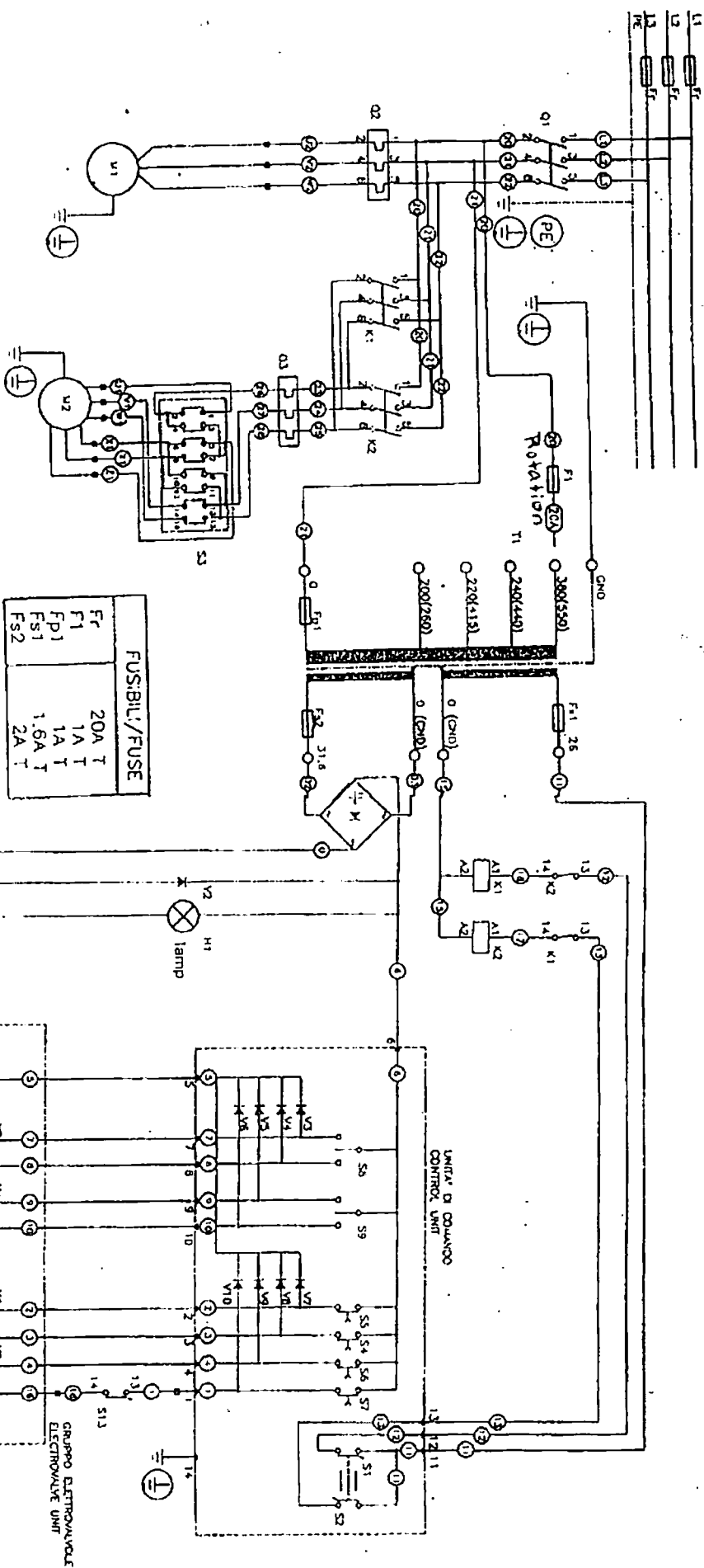


HD 1200 - HD 1200 E - AG Super 52 L

HD 1200 - HD 1200 E - AG Super 52 L



- Q1 - On/OFF
- Q2 - Heater/Breaker
- Q3 - Heater/Breaker
- K1 - Solenoid, Jaws CCW
- K2 - Solenoid, Jaws CW

- Y - Solenoid Function
- 1 - Jaw Rotation
- 2 - Bead Position, Right
- 3 - Bead Position, Left
- 4 - Jaw Clamps, Open
- 5 - Jaw Clamps, Closed
- 6 - Carriage, Left
- 7 - Carriage, Right
- 8 - Carriage, Up
- 9 - Carriage, Down

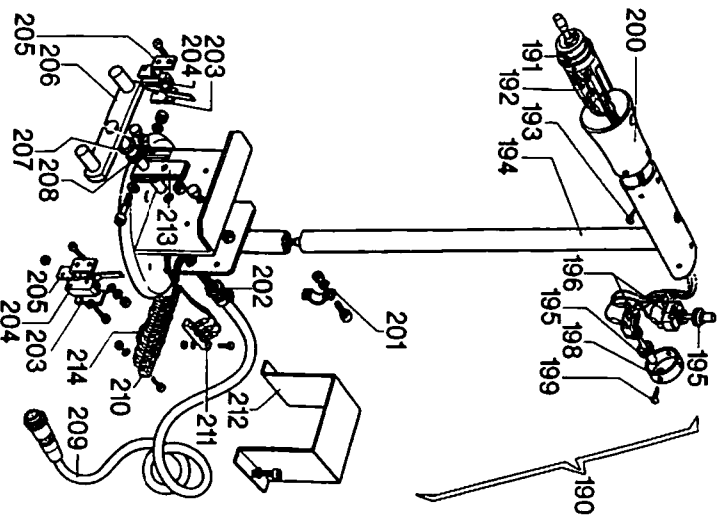
- S - Switch Function
- 1 - Foot Pedal, Left
- 2 - Foot Pedal, Right
- 3 - Speed Control
- 4 - Carriage, Right
- 5 - Carriage, Left
- 6 - Carriage, Up
- 7 - Carriage, Down
- 8 - Bead Position
- 9 - Jaw Clamps
- 10 - Safety Switch

| FUSIBILI/FUSE | |
|---------------|--------|
| Fr | 20A T |
| F1 | 1A T |
| Fp1 | 1A T |
| Fs1 | 1,6A T |
| Fs2 | 2A T |

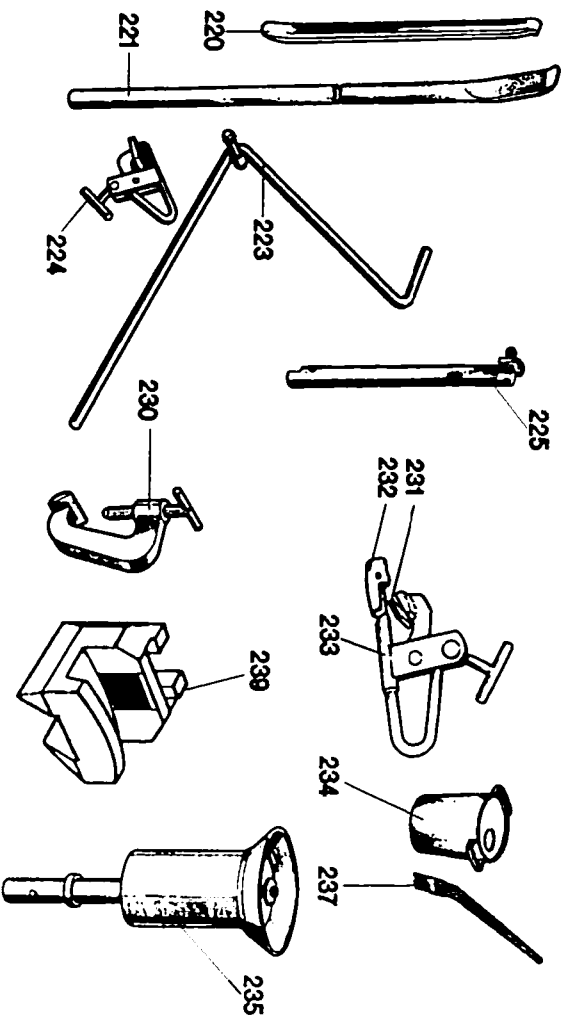
Note: If Y1 is disabled all hydraulic functions will be disabled.

H.I.T. 8000 B

PEDAL ASSEMBLY



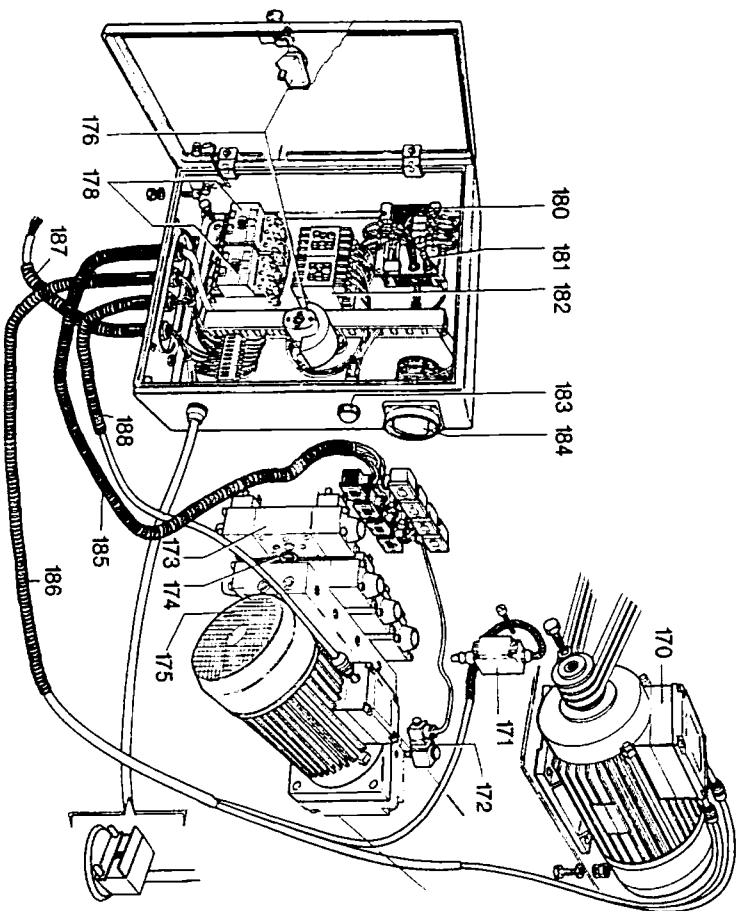
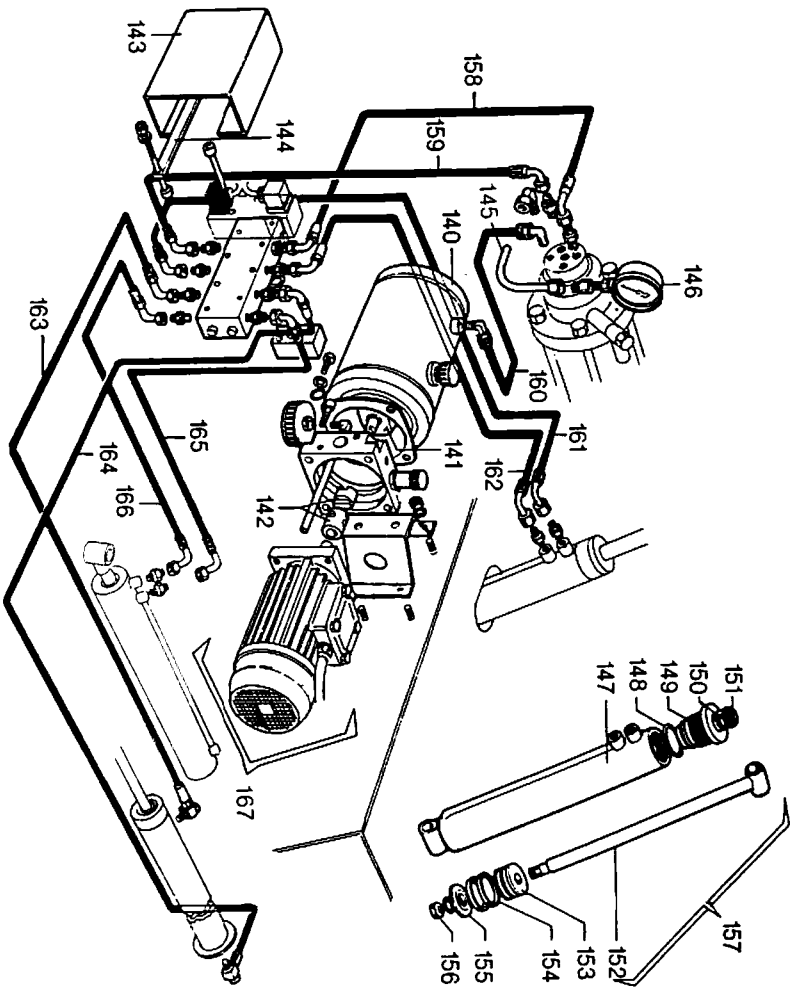
ACCESSORIES AND OPTIONS



When ordering parts always give the following information:
(1) Part Number (2) Description (3) Serial Number of Your Machine

| ITEM | PART NO. | QTY. | DESCRIPTION | ITEM | PART NO. | QTY. | DESCRIPTION |
|------|----------|------|--|---|----------|------|-----------------------------|
| 140 | 435365 | 1 | Tank | 170 | 424020 | 1 | Motor, 2 speed 220/3/60 Hz |
| 141 | 435375 | 1 | Pump, 60 Hz | 171 | 422041 | 1 | Switch, Travel, End |
| 142 | 431027 | 1 | Fitting, Coupling | 172 | 435367 | 1 | Solenoid, Bypass |
| 143 | 334909 | 1 | Cover, Solenoid | 173 | 430047 | 1 | Solenoid, Dual |
| 144 | 334908 | 1 | Bracket | 174 | 424620 | 20 | O-Ring, 8.73 x 1.78 |
| 145 | 334427 | 1 | Gauge, Pipe | 175 | 430651 | 1 | Motor, Power Pack 220/60 Hz |
| 146 | 434478 | 1 | Gauge, 0-160 Bar | 176 | 435368 | 1 | Switch, On/Off |
| 147 | 418237 | 1 | Shell, Cylinder | 178 | 435705 | 2 | Breaker, Circuit |
| 148 | 418239 | 1 | O-Ring | NOTE: Item 178 is adjustable from 10 to 16 amps. | | | |
| 149 | 422612 | 1 | Lock-Ring | Circuit breaker for the hydraulic box motor is set | | | |
| 150 | 418241 | 1 | Seal | at 10 amps. Circuit breaker for the gearbox is set | | | |
| 151 | 420179 | 1 | Boot | at 15 amps. | | | |
| 152 | 418236 | 1 | Rod | 180 | 425129 | 1 | Transformer |
| 153 | 430152 | 1 | Piston, 70mm | 181 | 418075 | 1 | Fuse, 3A |
| 154 | 418238 | 1 | Seal | 182 | 424701 | 2 | Contact, 60 Hz |
| 155 | 420180 | 1 | Ring, Retaining | 183 | 422040 | 1 | Light, Signal |
| 156 | 422621 | 1 | Nut, Self-locking, 22mm | 184 | 422055 | 1 | Switch, Two-way |
| 157 | 217433-A | 1 | Short Cylinder Assembly | 185 | 435370 | 1 | Wire, Solenoid |
| 158 | 434239 | 1 | Hydraulic Line, Clamping Cylinder | 186 | 435371 | 1 | Cable, Chuck Motor |
| 159 | 434239 | 1 | Hydraulic Line, Clamping Cylinder | 187 | 435372 | 1 | Cord, Power Supply |
| 160 | 334271 | 1 | Hydraulic Line, Tank/Clamping Cylinder | 188 | 435373 | 1 | Cable, Power Pack Motor |
| 161 | 434242 | 1 | Hydraulic Line, Lift Cylinder | | | | |
| 162 | 434241 | 1 | Hydraulic Line, Lift Cylinder | | | | |
| 163 | 434246 | 1 | Line, Hydraulic | | | | |
| 164 | 434245 | 1 | Line, Hydraulic | | | | |
| 165 | 435245 | 1 | Line, Hydraulic | | | | |
| 166 | 434243 | 1 | Line, Hydraulic | | | | |
| 167 | 234259 | 1 | Pack, Hydraulic Power | | | | |

HOSE AND HYDRAULIC SYSTEM ASSEMBLIES

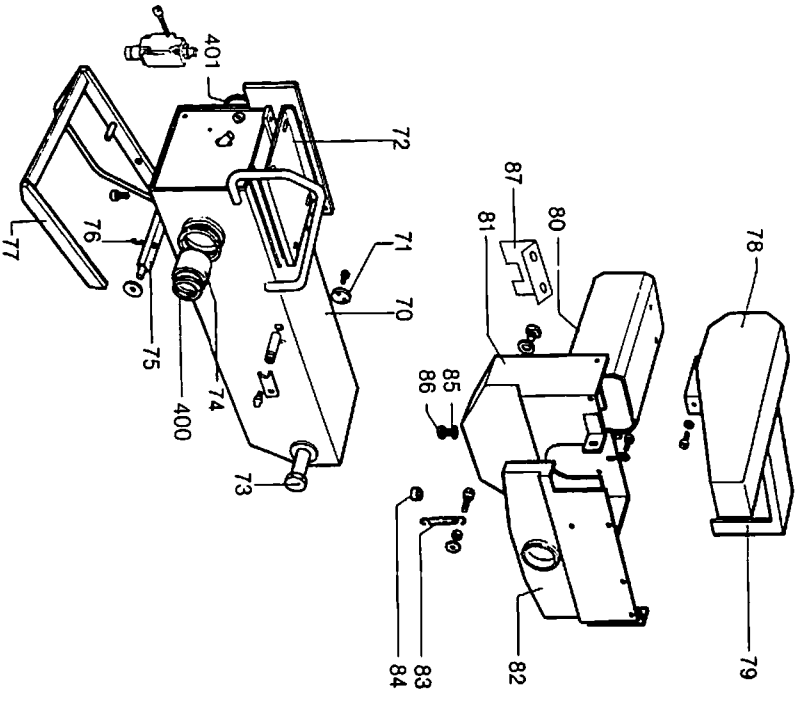


When ordering parts always give the following information:

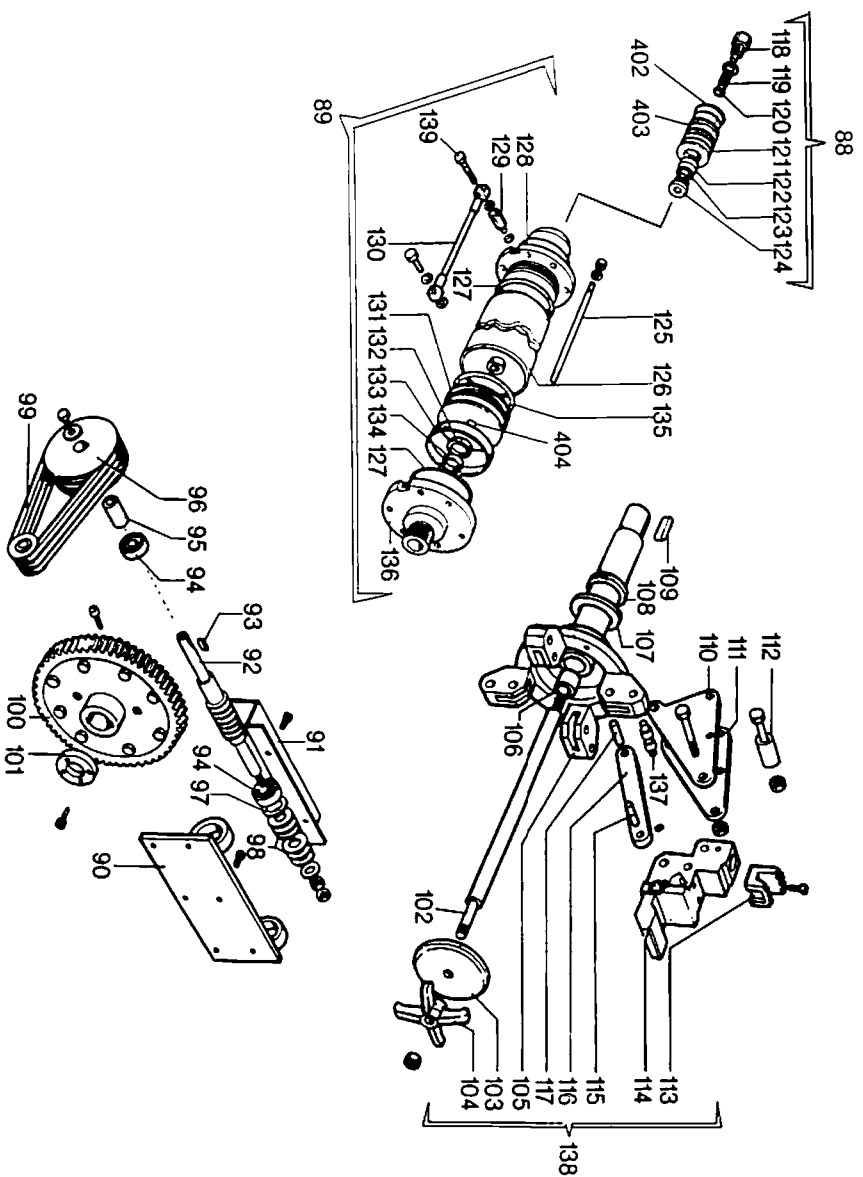
- (1) Part Number
- (2) Description
- (3) Serial Number of Your Machine

| ITEM | PART NO. | DESCRIPTION | QTY. | ITEM | PART NO. | DESCRIPTION | QTY. | ITEM | PART NO. | DESCRIPTION | QTY. |
|------|----------|---------------------------|------|------|----------|-----------------------|------|------|----------|-------------------------------|------|
| 70 | 234308 | Arm | 1 | 88 | 234477 | Distributor | 1 | 116 | 334163 | Link, Chuck Connecting | 4 |
| 71 | 317431 | Plate, Drilled Hex | 1 | 89 | 234138 | Cylinder | 1 | 117 | 334164 | Cotter | 4 |
| 72 | 317321 | Flange, Motor | 1 | 90 | 229117 | Support, Wormscrew | 1 | 118 | 420998 | Plug, 5.9mm x 25mm x 0.6mm | 1 |
| 73 | 334273 | Pin, Arm | 1 | 91 | 323590 | Guard, Wormscrew | 1 | 119 | 417806 | Spring | 1 |
| 74 | 421548 | Bushing | 1 | 92 | 317275 | Wormscrew | 1 | 120 | 318838 | Guide, Spring | 1 |
| 75 | 317446 | Fulcrum, Safety Interlock | 1 | 93 | 600716 | Key | 1 | 121 | 324244 | Valve, Control | 1 |
| 76 | 600043 | Pin, Cotter, 2mm x 15mm | 1 | 94 | 601034 | Bearing | 2 | 122 | 324209 | Plunger, Pilot | 1 |
| 77 | 217326 | Panel, Safety Interlock | 1 | 95 | 317338-B | Washer, Wormscrew | 1 | 123 | 424363 | Seal, Ring | 1 |
| 78 | 223113 | Casing, Motor Belt | 1 | 96 | 317274 | Pulley | 1 | 124 | 324210 | Plug | 1 |
| 79 | 223589 | Casing, Oil Pan | 1 | 97 | 317281-A | Washer, 40mm | 1 | 125 | 334204 | Cylinder, Tie Rod | 6 |
| 80 | 234149 | Shell, Cylinder | 1 | 98 | 601035 | Bearing | 2 | 126 | 334136 | Cylinder, 120mm | 1 |
| 81 | 223109-A | Pan, Oil | 1 | 99 | 417447 | Belt | 3 | 127 | 428538 | O-Ring | 2 |
| 82 | 321571 | Cover, Oil Seal | 1 | 100 | 321570 | Gear, Worm | 1 | 128 | 334137 | Flange, Rear Cylinder | 1 |
| 83 | 417834 | Spring, Safety Interlock | 1 | 101 | 321586 | Flange, Worm Gear | 1 | 129 | 334423 | Stud, Cylinder | 1 |
| 84 | 305022 | Washer, Bracket | 1 | 102 | 334146 | Rod, Cylinder | 1 | 130 | 322130 | Hose, 10mm x 109mm | 1 |
| 85 | 417816 | Washer, Aluminum, 3/8" | 1 | 103 | 321516 | Disk, Chuck Opening | 1 | 131 | 334143 | Plunger | 1 |
| 86 | 319251 | Plug, Oil Drain | 1 | 104 | 321517 | Spider, Chuck Closing | 1 | 132 | 434140 | Seal, Ring | 1 |
| 87 | 334152 | Stop | 1 | 105 | 234212 | Spindle | 1 | 133 | 434145 | Guide, Ring | 1 |
| 400 | 421572 | Seal | 1 | 106 | 434166 | Bushing | 1 | 134 | 434141 | Guide, Ring | 1 |
| 401 | 421574 | O-Ring | 1 | 107 | 425004 | Washer, Steel, 81mm | 2 | 135 | 434144 | Seal, Ring | 1 |
| | | | | 108 | 421572 | Seal | 2 | 136 | 334139 | Flange, Front Cylinder | 1 |
| | | | | 109 | 601162 | Key | 2 | 137 | 334170 | Roller, Grooved | 4 |
| | | | | 110 | 334157 | Plate, Chuck Side | 4 | 138 | 234155 | Chuck | 1 |
| | | | | 111 | 334156 | Plate, Chuck Side | 4 | 139 | 335284 | Screw, 1/8" | 1 |
| | | | | 112 | 334160 | Spacer, Plate | 4 | 402 | 424359 | Seal, Ring | 1 |
| | | | | 113 | 421556 | Jaw | 4 | 403 | 424362 | Seal, Piston | 3 |
| | | | | 114 | 334201 | Carrier, Jaw | 4 | 404 | 434203 | O-Ring | 1 |
| | | | | 115 | 321564-B | Cotter | 4 | | | | |

ARM ASSEMBLY



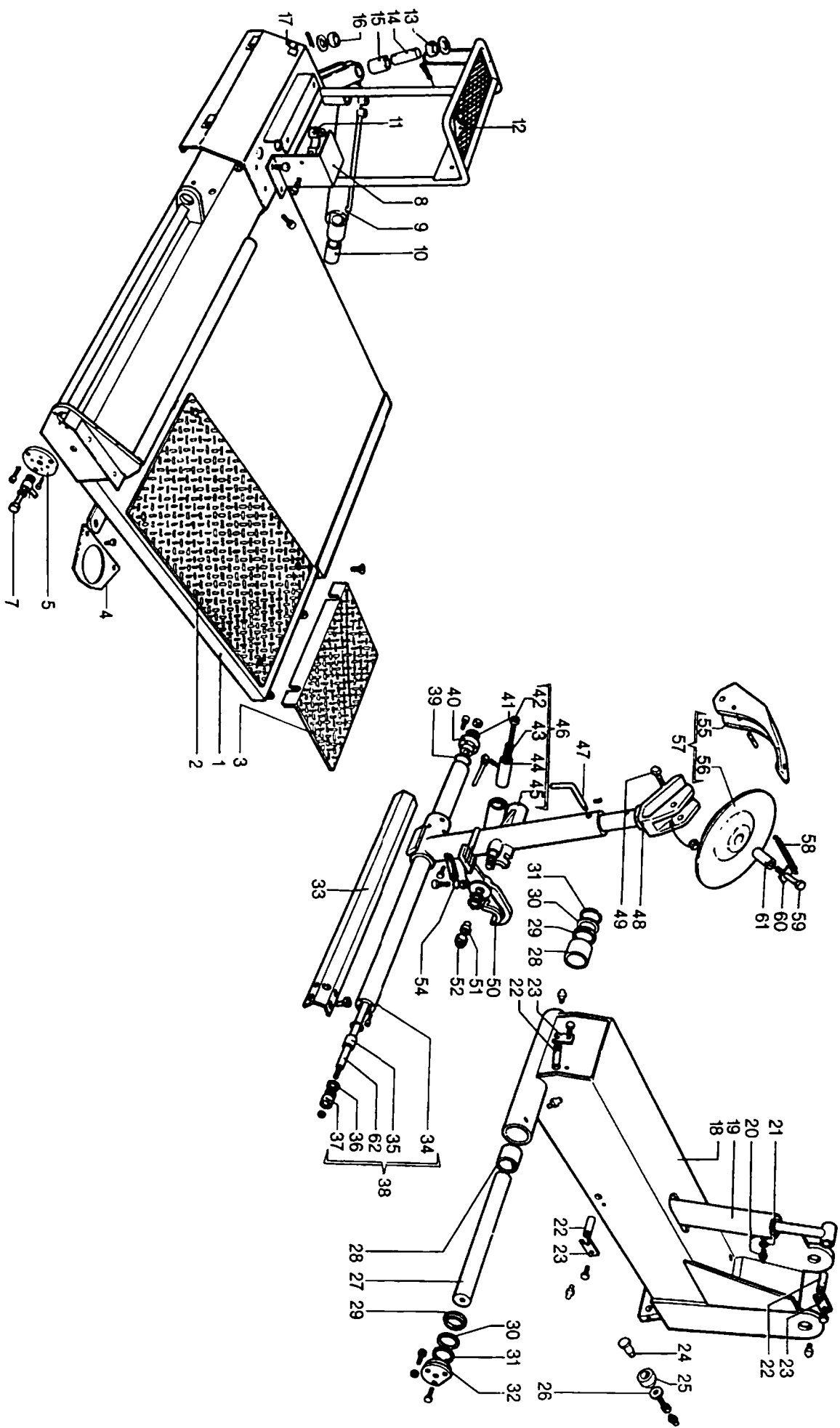
JAW ASSEMBLY



When ordering parts always give the following information:
 (1) Part Number (2) Description (3) Serial Number of Your Machine

| ITEM | PART NO. | QTY. | DESCRIPTION | ITEM | PART NO. | QTY. | DESCRIPTION |
|------|----------|------|-----------------------------|------|----------|------|------------------------------|
| 1 | 234313 | 1 | Base | 33 | 234248 | 1 | Cover |
| 2 | 322680 | 1 | Platform, Anti-slip | 34 | 321793-A | 1 | Cylinder |
| 3 | 319199 | 1 | Ramp | 35 | 321787 | 1 | Washer |
| 4 | 329660 | 1 | Holder, Lube Bottle | 36 | 421832 | 1 | Seal |
| 5 | 321791 | 1 | Cylinder, Rear Flange, 40mm | 37 | 321786 | 1 | Plunger |
| 7 | 322489 | 2 | Coupling, Short Pin | 38 | 221830-C | 1 | Cylinder Assembly |
| 8 | 334442 | 1 | Guard, Footpedal Plug | 39 | 416444 | 2 | O-Ring |
| 9 | 234451 | 1 | Long Cylinder Assembly | 40 | 321789-B | 1 | Cylinder, Front Flange, 40mm |
| 10 | 434466 | 1 | Bushing, Cylinder | 41 | 422702 | 1 | Seal |
| 11 | 324544 | 1 | Clamp | 42 | 601172 | 1 | Screw, 8mm x 130mm |
| 12 | 334842 | 1 | Pad, Rubber Control Panel | 43 | 421788-A | 1 | Spring |
| 13 | 317421-B | 1 | Sleeve, Cylinder | 44 | 221827 | 1 | Sleeve, Spring |
| 14 | 317425 | 1 | Cotter | 45 | 234305 | 1 | Arm, Tool Holder |
| 15 | 434466 | 1 | Bushing, Cylinder | 46 | 234311 | 1 | Arm/Pawl, Tool Holder |
| 16 | 317421-B | 1 | Sleeve, Cylinder | 47 | 321824 | 1 | Pin |
| 17 | 334440 | 1 | Holder, Tool | 48 | 221542 | 1 | Holder, Tool |
| 18 | 234309 | 1 | Carriage | 49 | 322886 | 1 | Fulcrum |
| 19 | 217433-A | 1 | Lift Cylinder Assembly | 50 | 321798-D | 1 | Pawl |
| 20 | 417627 | 2 | Adapter, 1/4" | 51 | 321790-B | 1 | Bushing, Eccentric |
| 21 | 417815 | 2 | Washer, Aluminum, 1/4" | 52 | 422677 | 1 | Nut, Self-locking, 20mm |
| 22 | 334272 | 2 | Cylinder, Lift | 54 | 421828-A | 1 | Spring |
| 23 | 321834 | 3 | Stop, Cylinder | 55 | 233431 | 1 | Claw |
| 24 | 334422 | 2 | Pin, Wheel | 56 | 221594 | 1 | Disk, Breaker |
| 25 | 317419-A | 2 | Wheel | 57 | 221593-C | 1 | Claw and Disk |
| 26 | 318183-B | 2 | Washer, 12mm | 58 | 421596 | 1 | Spring |
| 27 | 322973 | 1 | Pin, Carriage | 59 | 322250 | 1 | Screw, 20mm x 1.5mm x 96mm |
| 28 | 434310 | 2 | Bearing, Large | 60 | 321597 | 1 | Attachment, Spring |
| 29 | 417823 | 2 | Seal | 61 | 321536 | 1 | Bushing |
| 30 | 319510 | 2 | Washer | 62 | 235457 | 1 | Support |
| 31 | 417822 | 4 | Ring, Thrust | | | | |
| 32 | 322972-C | 1 | Flange, Carriage Pin | | | | |

FRAME ASSEMBLY



When ordering parts always give the following information:

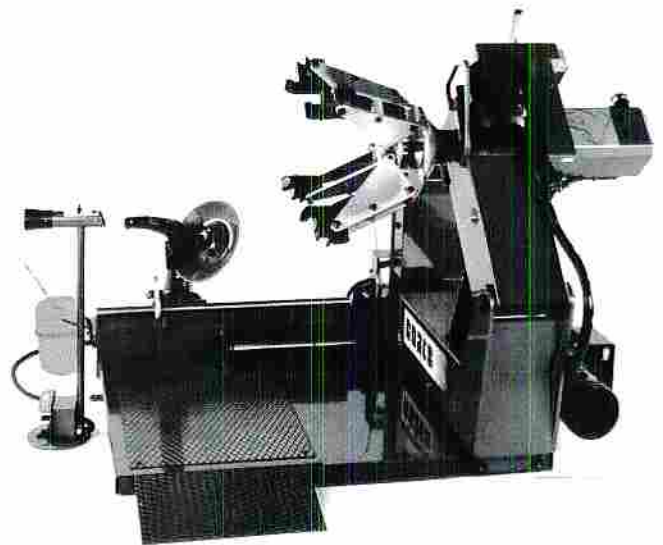
- (1) Part Number
- (2) Description
- (3) Serial Number of Your Machine

TABLE OF CONTENTS

| | |
|--------------------------------|------|
| ARM WITH JAW | 1, 2 |
| FRAME ASSEMBLY | 1, 2 |
| ARM ASSEMBLY | 3, 4 |
| JAW ASSEMBLY | 3, 4 |
| HOSE & HYDRAULIC SYSTEMS | 5, 6 |
| PEDAL ASSEMBLY | 7, 8 |
| ACCESSORIES & OPTIONS | 7, 8 |

COATS®

— PARTS LIST —



H.I.T. 8000A

THE
**HEAVY-DUTY TRUCKER
TRUCK TIRE CHANGER**