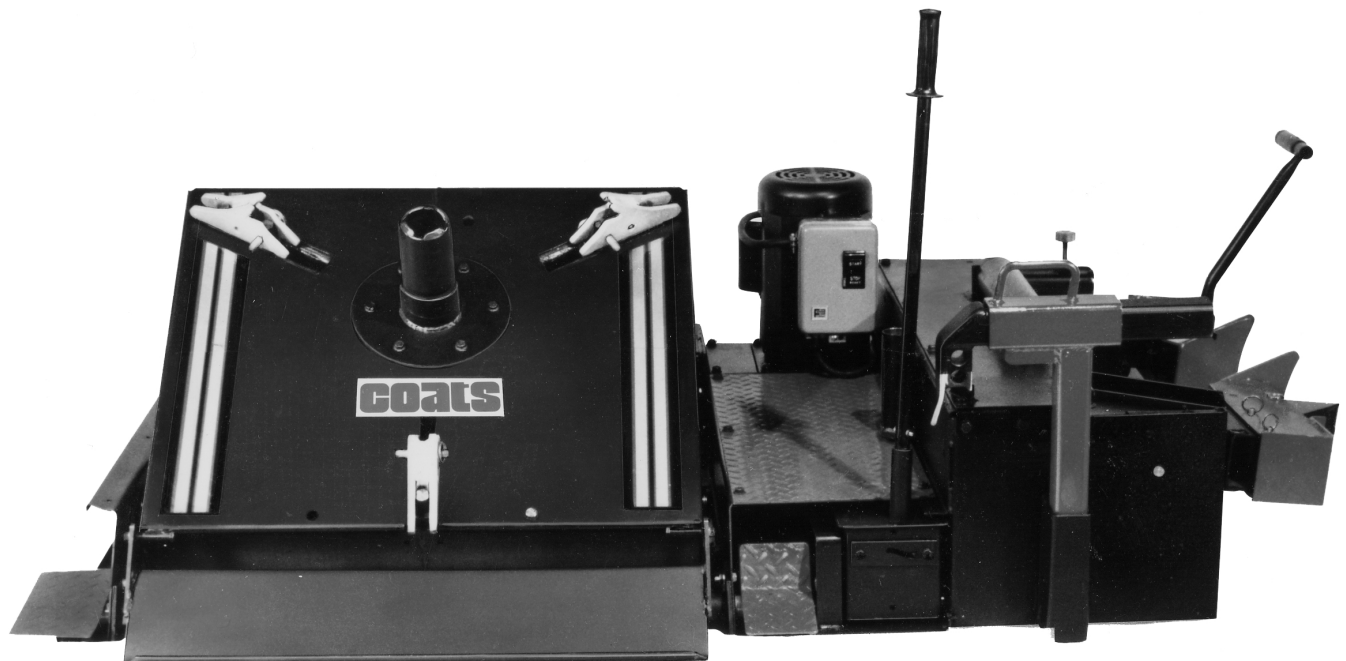


COATS®

H.I.T. 6000

Truck Tire Changer



Parts Identification

READ these instructions before placing unit in service KEEP these and other materials delivered with the unit in a binder near the machine for ease of reference by supervisors and operators.

HENNESSY INDUSTRIES, INC.

1601 J. P. Hennessy Drive, LaVergne, TN USA 37086-3565 615/641-7533 800/688-6359

HENNESSY INDUSTRIES INC. Manufacturer of AMMCO®, COATS® and BADA® Automotive Service Equipment and Tools.

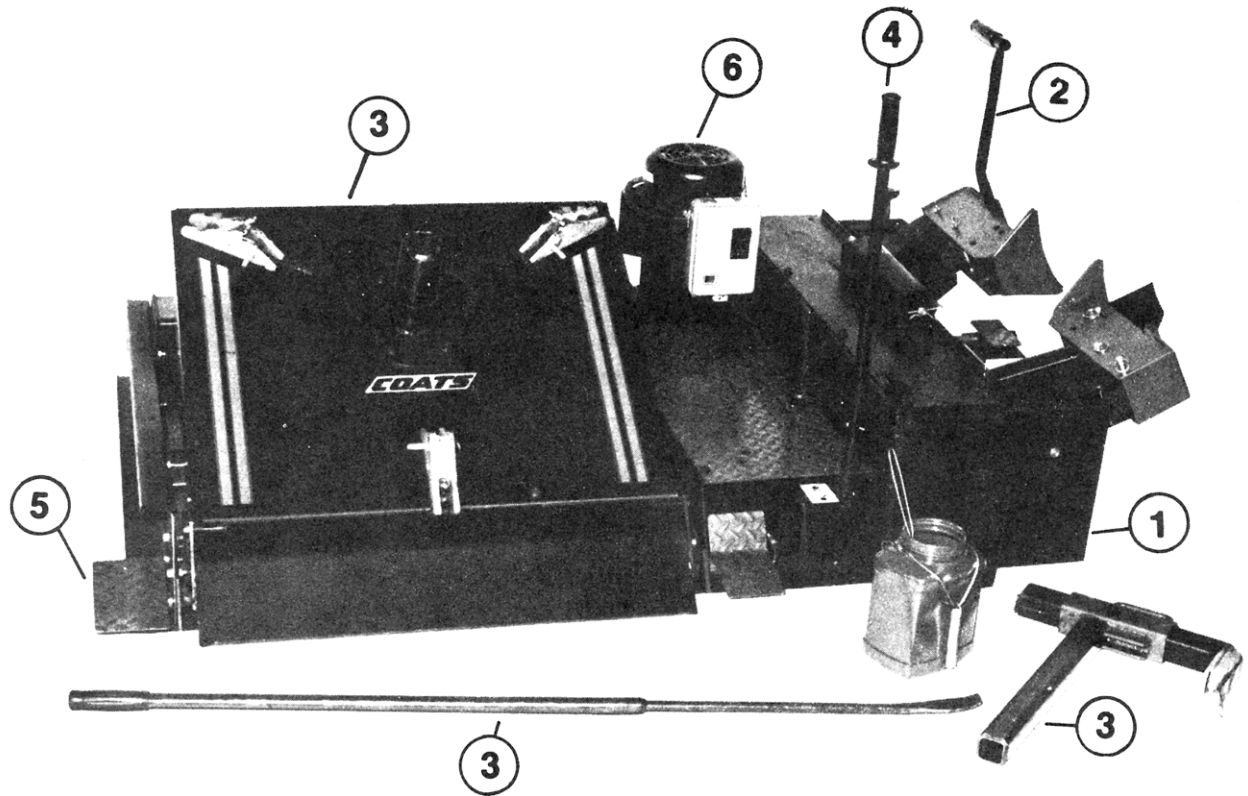
Manual Part No.: 9120584 01

Revision: 01/02

Parts Identification

Parts Identification

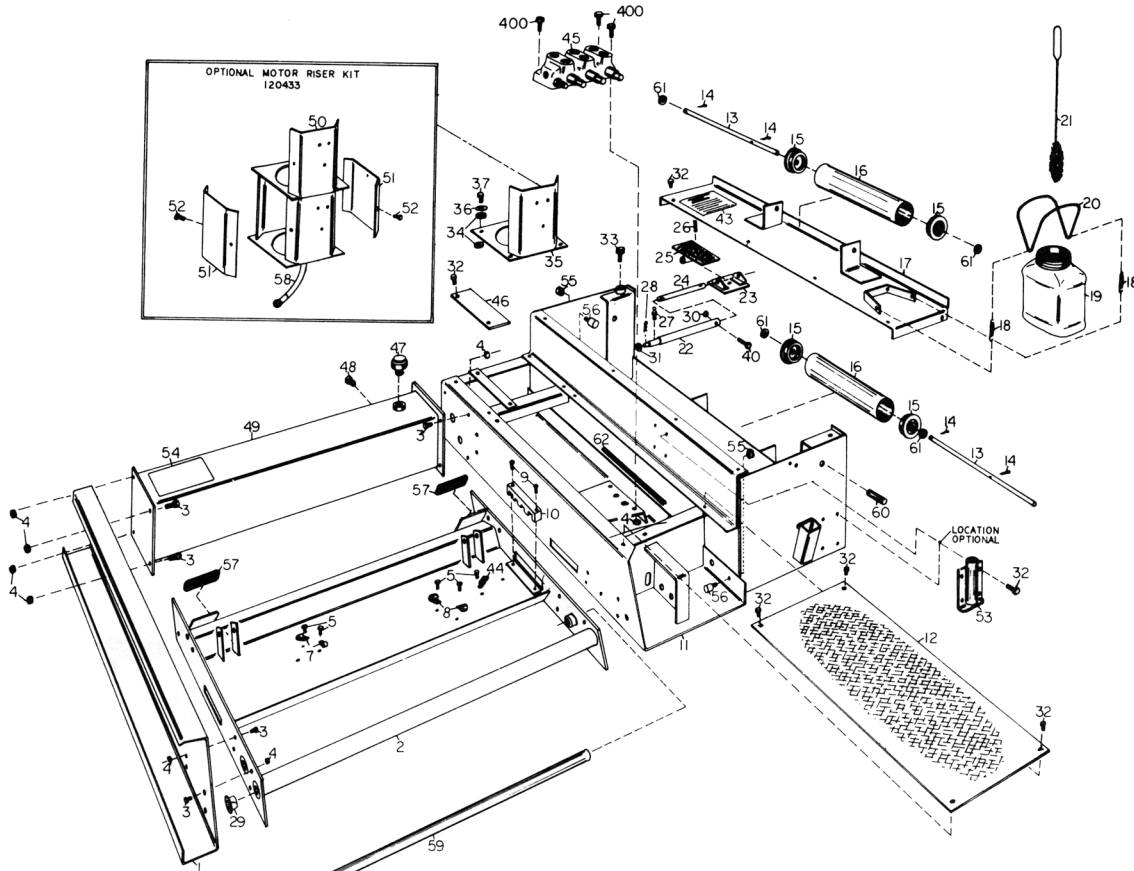
Table of Contents



Detail	Page	Description
1	4	Chassis
2	5	Bead Loosener
3	6-7	Working Table
4	8	Air Circuit
5	9	Hydraulic System
6	10	Electrical System
	11	Schematics Electric & Hydraulic

Parts Identification

Chassis



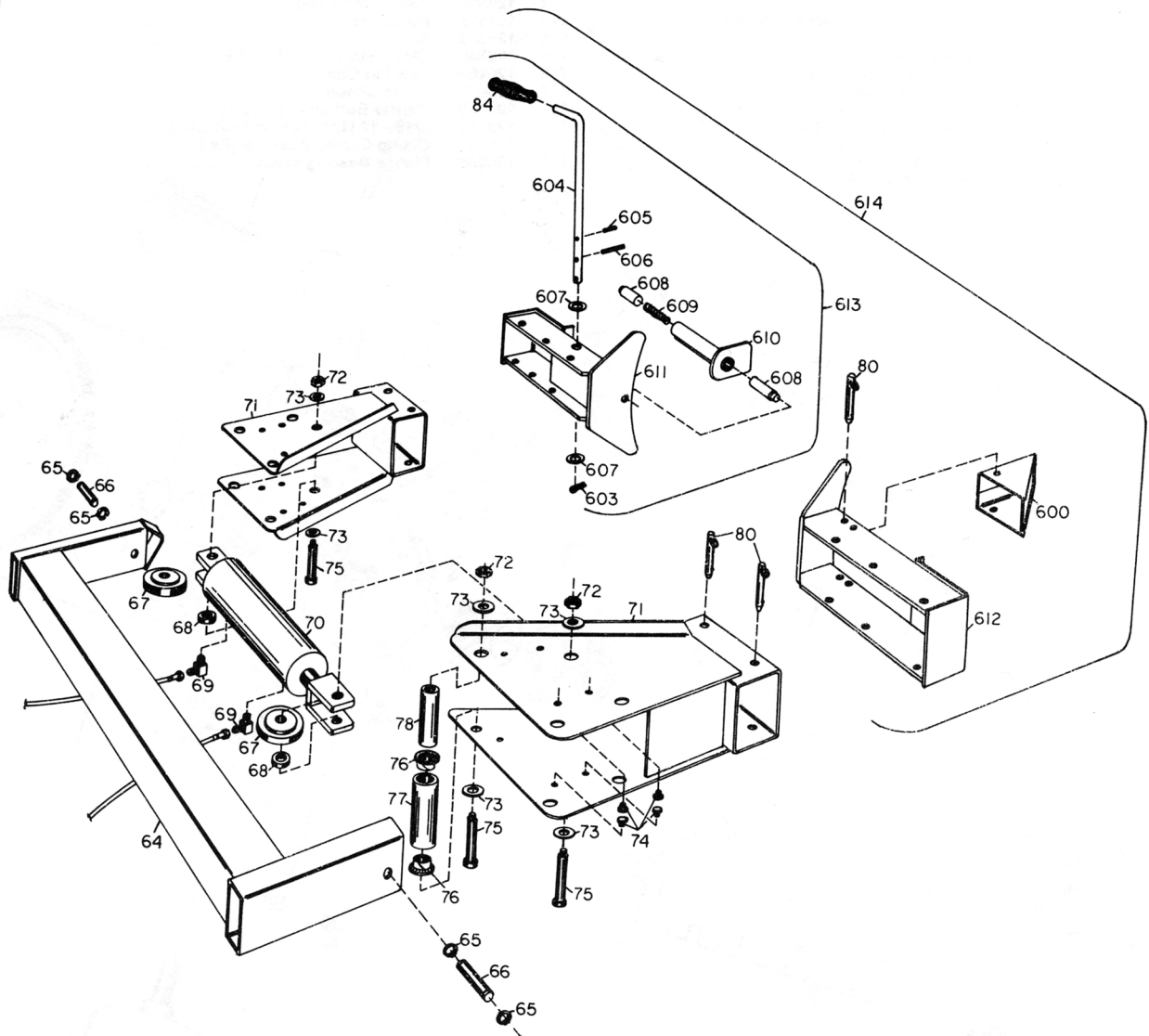
ITEM	PART NO.	DESCRIPTION
1	87120185	Outboard Rail
2	87120130	Cradle
3	87000524	3/8 x 1 Cap Screw (Ea.)
4	87000516	3/8 Lock Nut (Ea.)
5	87120455	10-24 Screw (Ea.)
7	87120387	Hose Clamp 1/8 ID (Ea.)
8	87120386	Hose Clamp 5/16 ID (Ea.)
9	87105390	1/4 x 1-1/2 Cap Screw (Ea.)
10	87120139	Hose Block
11	87120300	Bead Loosener Frame
12	87120172	Cover Plate
13	87120307	Roller Pivot (Ea.)
14	87107419	Hitch Pin
15	87120192	Bearing Roller (Ea.)
16	87120191	Roller (Ea.)
17	87120188	Bead Loosener Cover
18	87101106	Spring
19	87120347	Lube Bottle
20	87120346	Hold Down Lube Bottle
21	87120366	Cotton Swab
22	87120305	Pedal Extension
23	87120147	Foot Pedal Base
24	87120312	Rod Extension
25	87120143	Foot Pedal
26	87100602	3/16 x 1-1/4 Roll Pin
27	87106847	Pivot Ball
28	87107419	Hitch Pin
29	87106007	3/4 Nylon Bearing
30	87000591	1/4 Lock Nut
31	87010027	1/2 Washer

ITEM	PART NO.	DESCRIPTION
32	87106300	3/8 x 3/4 Self Tapping Bolt (Ea.)
33	87120308	Screw Adjusting
34	87120369	Rubber Washer (Ea.)
35	87120336	Switch Box Bracket
36	87000448	3/8 Washer
37	87105131	3/8 x 1-1/4 Self Tapping Bolt
43	87120348	Warning Decal
44	87103794	Hose Retainer
45		Hydraulic Valve
46	87120171	Cover Plate (small)
47	87120291	Breather Cap Assembly
48	87120344	1/4 NPT Pipe Plug
49		Reservoir
*50	87120383	Motor Riser
*51	87120382	Cover
*52	87106301	1/4 x 1/2 Self Tapping Bolt
53	87120328	Tool Holder
54	87120425	Maintenance Decal
55	87103260	1/2 Lock Nut
56	87104263	3/4 Stud
57	87120432	Table Stop Cushion
*58	87120427	5/16 Riser Hose Assembly
59		Rod Table Top Pivot
60		Pin Bead Loosener Pivot
61	87101253	3/4" Machine Bushing (Ea.)
62	87120471	12" Trim
400	87000278	3/8" x 2-1/4" N.C. HHCS (Ea.)

* Optional

Parts Identification

Bead Loosener



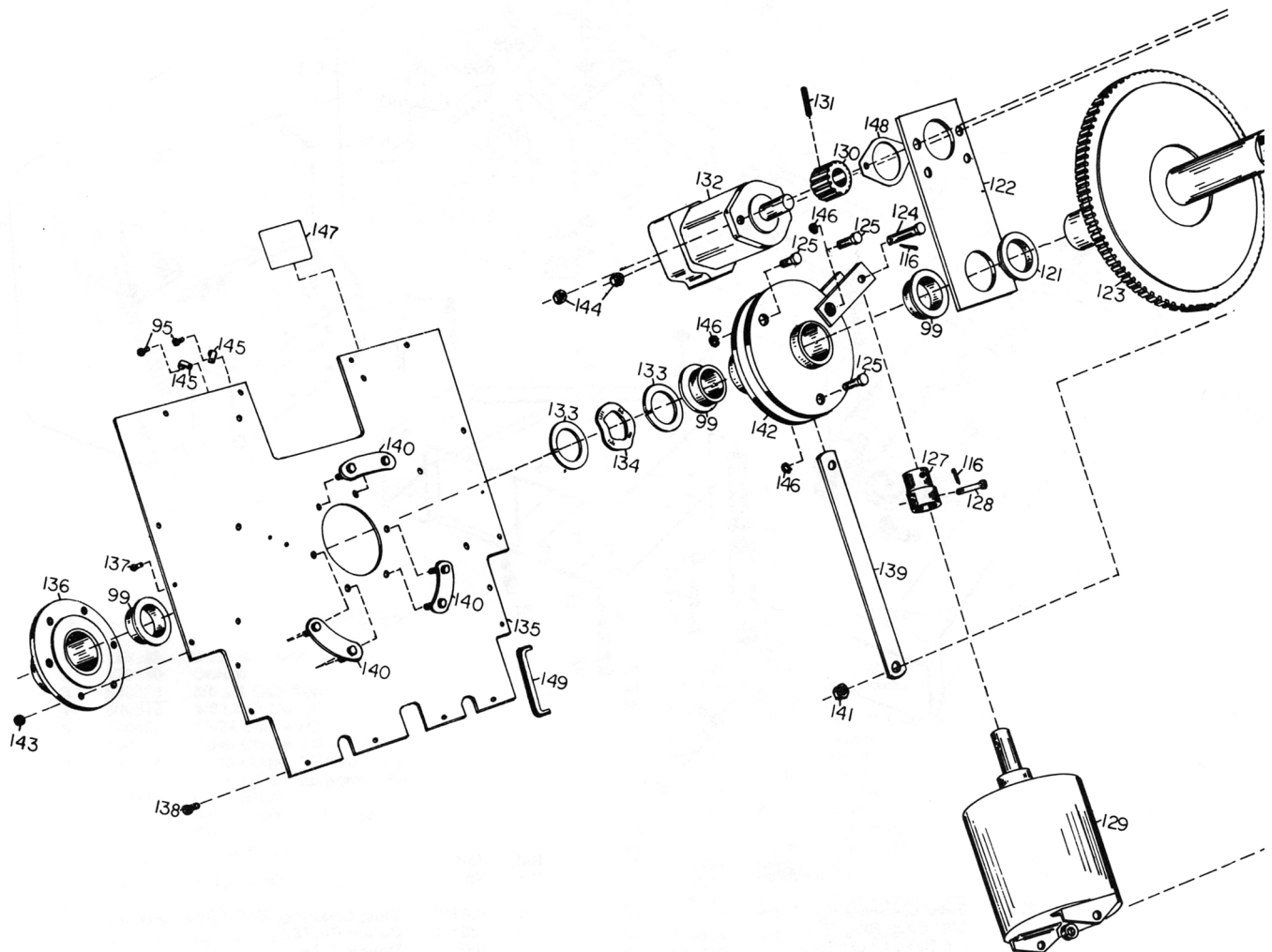
ITEM	PART NO.	DESCRIPTION
64	87120096	Bead Loosener Rail Tube
65	87101001	3/4" Snap Ring (Ea.)
66	87120314	Pin Bead Loosener Pivot
67	87120099	Bead Loosener Cyl. Wheel (Ea.)
68	87120103	Bead Loosener Cyl. Spacer (Ea.)
69	87120286	1/4 NPT x 3/8 JIC 90 degree ELL (Ea.)
70		Bead Loosener Cylinder (See page 8)
71	87120105	Bead Loosener Carrier (Ea.)
72	87120055	5/8-11 N.C. Flange Nut (Ea.)
73	87101253	3/4" Machine Bushing
74	87120100	Bead Loosener Slide Button (Ea.)
75	87120371	3/4" x 4 Shoulder Bolt (Ea.)
76	87101351	1-1/4" Nylon Bearing (Ea.)
77	87120102	Bead Loosener Roller Tube (Ea.)
78	87120104	Bead Loosener Roller Spacer (Ea.)
80	87120326	Detent Pin (Ea.)
84	87100979	Handle Grip
600	87120513	Wheel Stop
603	87107419	Hitch Pin
604	87120541	Handle

ITEM	PART NO.	DESCRIPTION
605	87100602	3/16 x 1-1/4 Roll Pin
606	87101094	1/4 x 2-1/2 Roll Pin
607	87103264	3/4 x 1-1/4 Machine Bushing
608	87120539	Shoulder Pin (Ea.)
609	87104284	Detent Spring
610	87120535	Pivotal Shoe
611	87120544	B.L. Shoe W/C R.H.
612	87120112	B.L. Shoe W/C L.H.
613	87120545	Pivotal Shoe Assy
614	87120550	Pivotal Shoe Kit Comp.

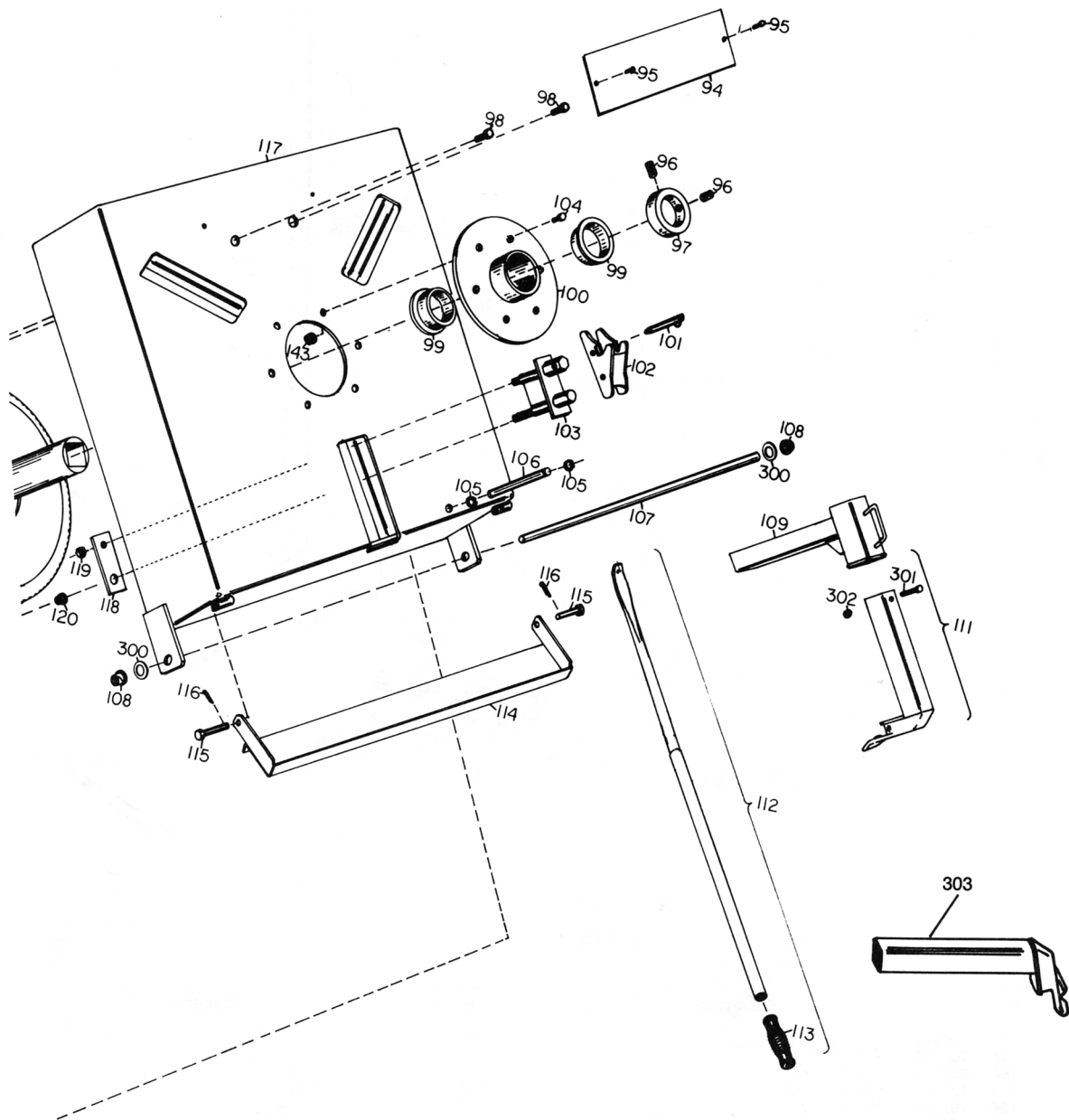
Parts Identification

Working Table

ITEM	PART NO.	DESCRIPTION	ITEM	PART NO.	DESCRIPTION
94	87120373	Name Plate	108	87106007	3/4 Nylon Bearing
95	87104945	1/4 Self Tapping Bolt (Ea.)	109	87120082	Combo Tee
96	87120016	Quill Set Screw	111	87120092	Combo Tool Assembly
97	87120015	Quill Collar	112	87120334	Bead Lifting Tool
98	87120063	1/2-13 Hex Head Cap Screw (Ea.)	113	87107515	Handle Grip
99	87120012	Flange Bearing (Ea.)	114	87120343	Apron
100	87120010	Crown Flange Bearing	115	87120340	Clevis Pin 3/8 x 2-5/8 (Ea.)
101	87120088	Detent Pin Clamp (Ea.)	116	87120469	Hair Pin Clip
102	87120075	Clamp Plate (Ea.)	117	87120400	Table Chassis
103	87120057	Clamp Carrier (Ea.)	118	87120053	Carrier Bottom Plate (Ea.)
104	87106302	3/8 Whiz Lock Bolt (Ea.)	119	87120452	9/16 - 12 Hex. Jam Nut w/lock (Ea.)
105	87101001	3/4 Snap Ring (Ea.)	120	87120054	Clamp Carrier Bushing (Ea.)
106	87120048	Air Cylinder Pivot	121	87120068	Flange Bearing Short
107	87120180	Rod Table Top Pivot			



Parts Identification

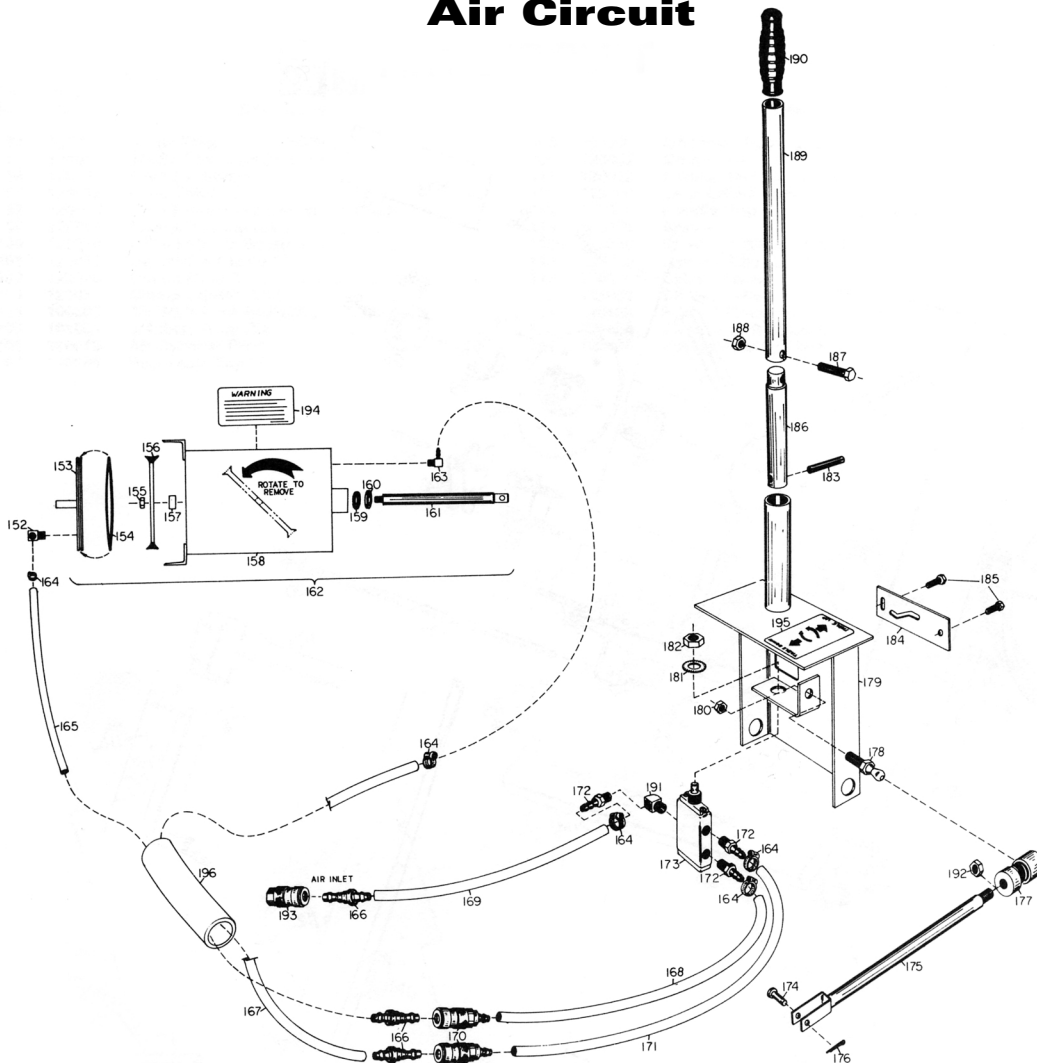


ITEM	PART NO.	DESCRIPTION
122	87120067	Hydraulic Motor Spacer Plate
123	87120021	Quill & Gear
124	87120087	1/2 Clevis Pin Long (Ea.)
125	87120430	1/2 Short Groove Pin (Ea.)
127	87120050	Air Cylinder Extension
128	87120429	1/16 x 1-1/2 Clevis Pin
129		5" Air Cylinder
130	87120065	Pinion Gear Motor
131	87120066	3/8 x 1-1/2 Spirol Pin
132		Hydraulic Motor
133	87120027	Shim (Ea.)
134	87120020	Wave Spring
135	87120399	Lower Cover Plate Assembly
136	87120018	Lower Flange Bearing
137	87120337	Round Head Drive Stud (Ea.)
138	87120325	5/16 x 1 Serrated Washer Head Screw (Ea.)

ITEM	PART NO.	DESCRIPTION
139	87120047	Clamp Timing Link
140	87120423	Bolting Plate (Ea.)
141	87120055	5/8-11 NC Flange Nut (Ea.)
142	87120004	Cam Plate
143	87120424	3/8 Washer Head Lock Nut
144	87120458	1/2 Lock Nut
145	87120386	5/16 Clamps
146	87120095	Snap Ring 1/2"
147	87120443	Lower Cover Warning Decal
148	87120442	Shim - Hyd. Motor
149	87120462	Hose Pad
300	87101253	3/4" Machine Bushing
301	87120526	3/8 x 2-1/2 N.C. HHCS
302	87000516	3/8 Lock Nut
303	87120564	Duplex Combo Tool

Parts Identification

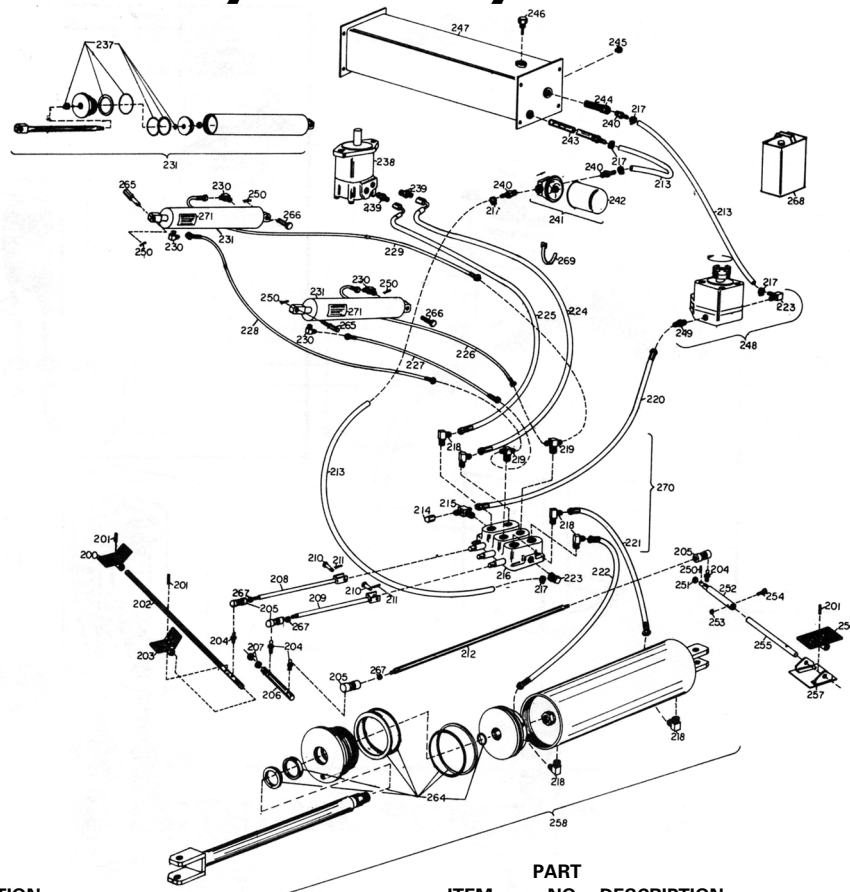
Air Circuit



ITEM	PART NO.	DESCRIPTION	ITEM	PART NO.	DESCRIPTION
152	87000376	1/4" x 90 degree Fitting	175	87120161	Long Linkage
153	87106652	Bottom Cap	176	87120469	Hair Pin Clip
154	87000465	Cap O-ring	177	87106848	Retainer
155	87120463	3/4" Jam Nut	178	87106847	Pivot Ball
156	87107576	Piston Cup	179	87120181	Clamp Valve Bracket
157	87107511	Spacer	180	87000516	3/8" Lock Nut
158	87106646	Barrel Weldment	181	87104613	5/8" External Lock Washer
159	87106835	Rod Seal	182	87104611	5/8" Jam Nut N.F.
160	87106657	Wiper Seal	183	87120459	1/4" x 2 Spring Pin
161	87106779	Piston Seal	184	87120381	Valve Adjusting Plate
162	87106645	5" Cylinder Assembly	185	87106301	1/4" Self Tapping Screw
163	87105635	90 degree Short Fitting	186	87120178	Handle Shaft Valve
164	87101428	Hose Clamp	187	87120321	1/4" x 1-1/4" Cap Screw N.C.
165	87120270	Hose 1/4" I.D. x 26" Red	188	87000591	1/4" Lock Nut N.C.
166	87106319	Quick Coupler Male	189	87120182	Valve Bracket Handle
167	87120268	Air Hose 32"	190	87120332	Handle Grip
168	87120450	1/4" x 8" Air Hose Red	191	87120316	1/8" x 1/8" Street ELL
169	87120264	Air Hose 44"	192	87120368	3/8" x 24 Jam Nut
170	87106320	Quick Coupler Female	193	87120440	Quick Coupler-Female
171	87120271	Hose 8"	194	87120445	Decal Air Cylinder
172	87104844	1/4" Hose Fitting	195	87120349	Instruction Decal (Handle)
173	87120315	Air Valve	196	87120473	Rubber Tube
174	87106455	1/4" Clevis Pin			

Parts Identification

Hydraulic System

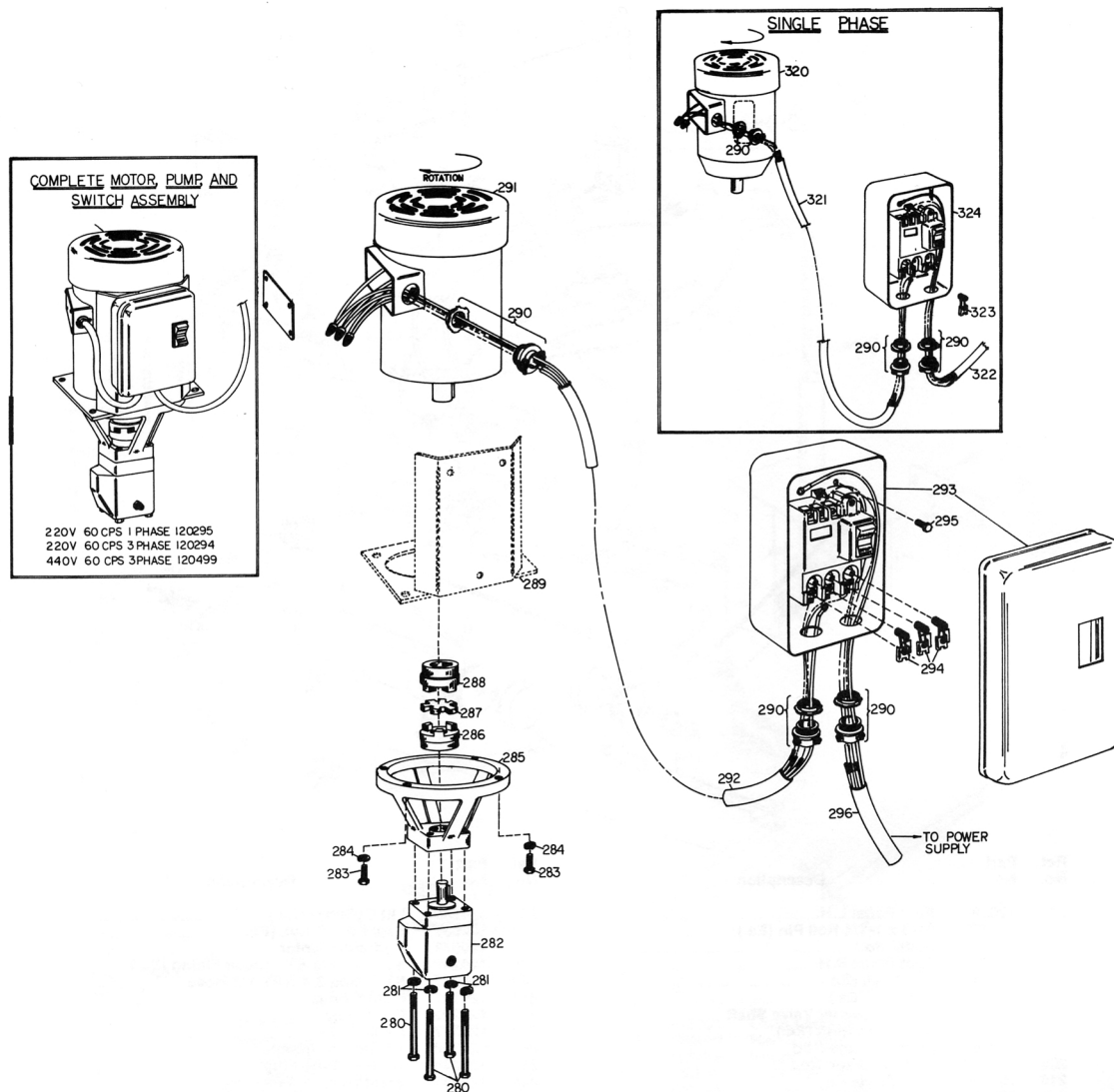


ITEM	PART NO.	DESCRIPTION
200	87120385	Foot Pedal L.H.
201	87100602	3/16 x 1-1/4 Roll Pin (Ea.)
202	87120179	Pedal Rod
203	87120140	Foot Pedal R.H.
204	87106847	Pivot Ball (Ea.)
205	87106848	Retainer (Ea.)
206	87120196	Bead Loosener Valve Shaft
207	87101001	3/4" Snap Ring (Ea.)
208	87120161	Long Linkage Rod
209	87120163	Short Linkage Rod
210	87106455	1/4" Clevis Pin
211	87120469	Hair Pin Clip
212	87120193	Bead Loosener Linkage Tube
213	87120252	1/2" I.D. Rubber Hose
214	87120287	3/8" JIC Cap
215	87120288	3/8" x 3/8" JIC Tee
216	87120553	Control Valve and Mtg. Hwd.
217	87101346	Hose Clamp (Ea.)
218	87120286	1/4 NPT x 3/8 JIC 90 degree ELL (Ea.)
219	87120290	Plug & Tee Assembly (Ea.)
220	87120227	Hose Assembly 5/16" x 16"
221	87120229	Hose Assembly 5/16" x 24-3/4"
222	87120228	Hose Assembly 5/16" x 23"
223	87120235	90 degree Fitting 3/8 NPT x 1/2 Hose (Ea.)
224	87120226	Hose Assembly 5/16" x 71"
225	87120297	Hose Assembly 5/16" x 71"
226	87120233	Hose Assembly 1/8" x 20"
227	87120234	Hose Assembly 1/8" x 17"
228	87120232	Hose Assembly 1/8" x 54"
229	87120231	Hose Assembly 1/8" x 61"
230	87120213	90 degree Fitting 1/4" Tube 1/4 NPT (Ea.)

ITEM	PART NO.	DESCRIPTION
231	87120239	Lift Cylinder (Ea.)
237	87120527	Seal Kit Lift Cyl. (Ea.)
238	87120071	Hydraulic Motor
239	87120249	ST 3/8 x 7/8 ST Thread Fitting (Ea.)
240	87120217	ST Fitting 3/4 NPT 1/2 Hose
241	87120221	Filter Comp.
242	87120222	Filter Only
243	87120377	Baffle Tube
244	87120220	1 x 3/4 x 6 Strainer
245	87120344	1/4 NPT Pipe Plug
246	87120291	Breather Cap Assembly
247	87120151	Reservoir
248	87120555	Replacement Hydraulic Pump Assy.
249	87120210	ST Fitting 3/8 Tube 3/8 NPT
250	87107419	Hitch Pin
251	87010027	1/2" Washer
252	87120305	Pedal Extension
253	87000591	1/4" Lock Nut
254	87105390	1/4 x 1-1/2 Cap Screw
255	87120312	Rod Extension
256	87120143	Foot Pedal
257	87120147	Pedal Base
258	87120240	Bead Loosener Cylinder
264	87120420	Seal Kit B.L. Cylinder
265	87120089	1/2" Clevis Pin
266	87120129	2-1/4 Clevis Pin
267	87120368	3/8 - 24 Jam Nut
268	87120454	1 Gal. Hydraulic Oil
269	87120441	Nylon Cable Tie
270	87120242	Valve with Fittings & Mtg. Hwd.
271	87120444	Warning Decal Hyd. Cyl.

Parts Identification

Electric System

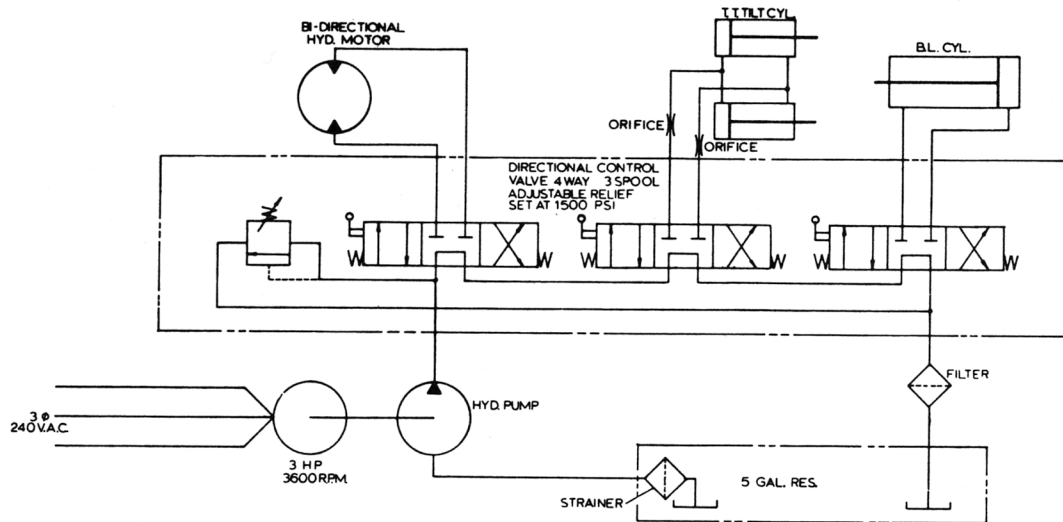


ITEM	PART NO.	DESCRIPTION
280	87120324	5/16" x 3-1/2" Cap Screw (Ea.)
281	87120421	5/16" Lock Washer (Spring Lock) (Ea.)
282		Hydraulic Pump
283	87120367	3/8" x 1-1/2" NC HHCS (Ea.)
284	87000542	3/8" Lock Washer
285	87120206	Bell Housing
286	87120246	Coupling LH 7/16" I.D.
287	87120250	Spider - Rubber
288	87120247	Coupling RH 5/8" I.D.
289		Switch Box Bracket
290	87120280	3/4" Cable Connector
291		Electric Motor 3 Phase
292	87120278	Patch Cord 3 Phase

ITEM	PART NO.	DESCRIPTION
283	87120203	Electric Switch 3 Phase
294		Switch Heater
295	87104596	10-24 Screw
296	87120201	Electric Cord 3 Phase
SINGLE PHASE PARTS		
320		Electric Motor 1 Phase
321	87120279	Patch Cord 1 Phase
322	87120262	Electric Cord 1 Phase
323		Switch Heater 1 Phase
324	87120202	Electric Switch 1 Phase

Parts Identification

Hydraulic Schematic



Electrical Schematics

STANDARD U.S.A. MODELS

COATS MOTOR P/N	PHASE	VOLTAGE A.C.	C.P.S.	HEATER COATS P/N	FURNAS P/N	QTY.	COATS CODE	SEE NOTE 3
120204	1	208-230	60	120274	H-38	1	091	45 AMP
120205	3	208-230 see note 1	60	120273	H-31	3	093	25 AMP
120205	3	400-440	60	120477	H-25	3	094	15 AMP

NOTE 1 - MOTOR MAY BE SINGLE OR DUAL VOLTAGE

INTERNATIONAL MODELS

COATS MOTOR P/N	PHASE	VOLTAGE A.C.	C.P.S.	HEATER COATS P/N	FURNAS P/N	QTY.	COATS CODE	SEE NOTE 3
120467	3	575	60	120470	H-22	3	093H	10 AMR
120205	3	190	50	120478	H-32	3	093D	30 AMP
120205	3	200	50	120273	H-31	3	093E	25 AMP
120205	3	380	50	120558	H-26	3	093F	15 AMP
120205	3	400-415	50	120477	H-25	3	093G	15 AMP
120551	3	220	50	120273	H-31	3	093J	25 AMP
120551	3	440	50	120477	H-25	3	093K	15 AMP
120552	3	380-440	50	120558	H-26	3	093L	15 AMP

SEE NOTE 2 -

SEE NOTE 2 -

SEE NOTE 2 -

NOTE 2 - SPECIAL MOTOR REQUIRES MIN. OF 2 WEEK LEAD TIME
NOTE 3 - SUGGESTED SERVICE LINE SERVICE PROTECTION

