



Model GTS70

Rim Clamp® Tire Changers

For servicing single piece automotive and most tubeless light truck tire/wheel assemblies.

Any other type, including tube type and agricultural, require special handling. Tires identified as truck tires need to adhere to OSHA standard 1910.177.

Parts Identification

READ these instructions before placing unit in service. KEEP these and other materials delivered with the unit in a binder near the machine for ease of reference by supervisors and operators.

HENNESSY INDUSTRIES, INC.

1601 J. P. Hennessy Drive, LaVergne, TN USA 37086 615/641-7533 800/688/6359 www.ammcoats.com
HENNESSY INDUSTRIES INC. Manufacturer of AMMCO®, COATS® and BADA® Automotive Service Equipment and Tools.

Manual Part No.: 85609728 00
Revision: 9/14

Parts Identification

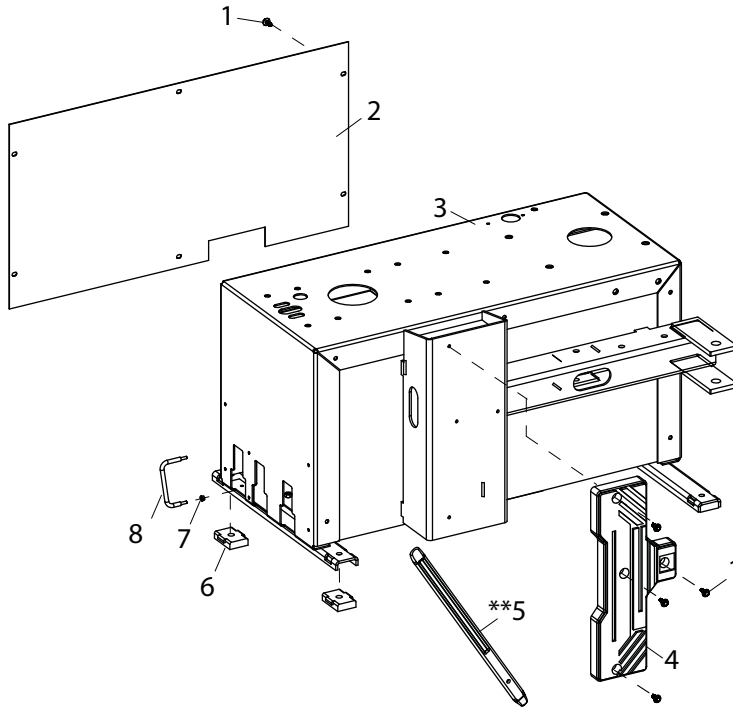
The following pages include parts breakdowns with exploded view illustrations to help with ordering replacement or spare kits. Assemblies are noted where it is recommended that individual parts not be ordered separately. Note that the parts view illustrations are for multiple models and not all parts shown are on all models. Every effort is made to supply accurate exploded views, however, due to interim changes in manufacturing operations, some units may not be exactly as illustrated.

Table of Contents

| | |
|---|-----------|
| Parts Identification | 2 |
| Chassis Assembly..... | 4 |
| BL Arm Assembly..... | 5 |
| Inflation Bracket & Tiltback Tower Assembly..... | 6 |
| Tiltback Tower Arm Assembly | 8 |
| Table Top & Shaft Housing Assembly | 9 |
| Auxillary Tower Assembly | 10 |
| Foot Pedal Assembly | 12 |
| Valve Assemblies | 13 |
| Electric Schematics | 14 |
| Pneumatic Diagrams..... | 15 |

Chassis Assembly

| Item No | Part No. | Description |
|---------|----------|----------------------------------|
| 1 | 8106301 | 1/4" Hex Hd Self Tap Screw, Gr.5 |
| 2 | 85609504 | Side Panel |
| 3 | 85609396 | Chassis |
| 4 | 85607027 | Bead Loosener Pad |
| **5 | 8181354 | Bead Lifting Tool |
| 6 | 85608633 | Rubber Foot Pad |
| 7 | 85608423 | M5 Flange Nut |
| 8 | 85609112 | Isolating Pedal Fence |



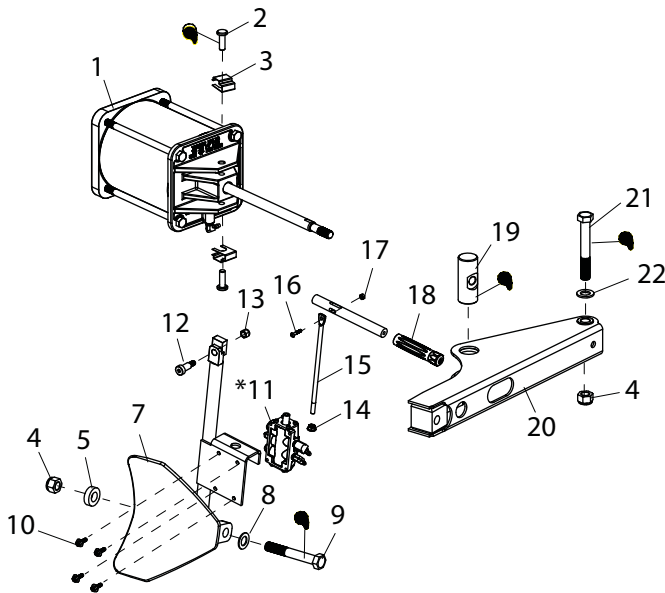
 APPLY GREASE TO THESE LOCATIONS

BL Arm Assembly

| Item No | Part No. | Description |
|---------|----------|-------------------------------------|
| 1 | 85609288 | B.L. Cylinder Assembly |
| 2 | 8182708 | Pivot Pin, B.L. Cylinder Rod |
| 3 | 8181912 | Clevis Clip |
| 4 | 85607351 | M18 x 2.5 Hex Nylock Nut |
| 5 | 8182557 | B.L. Spacer |
| **6 | 8183606 | Shoe Bootie Kit, Pkg of 2 |
| 7 | 85609350 | B.L. Shoe, Handle & Pivot |
| 8 | 85608415 | M18 Washer |
| 9 | 85608457 | M18-2.5 x 120mm HHCS, DIN 931 Class |
| 10 | 8143168 | 1/4-20 x 3/4 Whiz Lock HHCS |
| *11 | 85608033 | B.L. Arm Valve Assembly |
| 12 | 8185558 | Shoulder Screw |
| 13 | 8301035 | 3/8-16 Hex Nyloc Nut |
| 14 | 8182178 | 5/16-18, Hex. Whiz Lock Nut |
| 15 | 85608037 | Lever Link |
| 16 | 85000047 | 10/24 x 1" HHCS Screw |
| 17 | 8182682 | Nut-Hex, Lk, Rvsble, #10-24 |
| 18 | 8100979 | 3/4", Rubber Hand Grip |
| 19 | 85608407 | Pivot Pin B.L. Cylinder Rod |
| 20 | 85608409 | B.L. Arm |
| 21 | 85607352 | M8 x 2.5-130 Bolt |
| 22 | 85607359 | M18 Flat Washer |

***Valve Assemblies (available only as individual components, see page 13)**

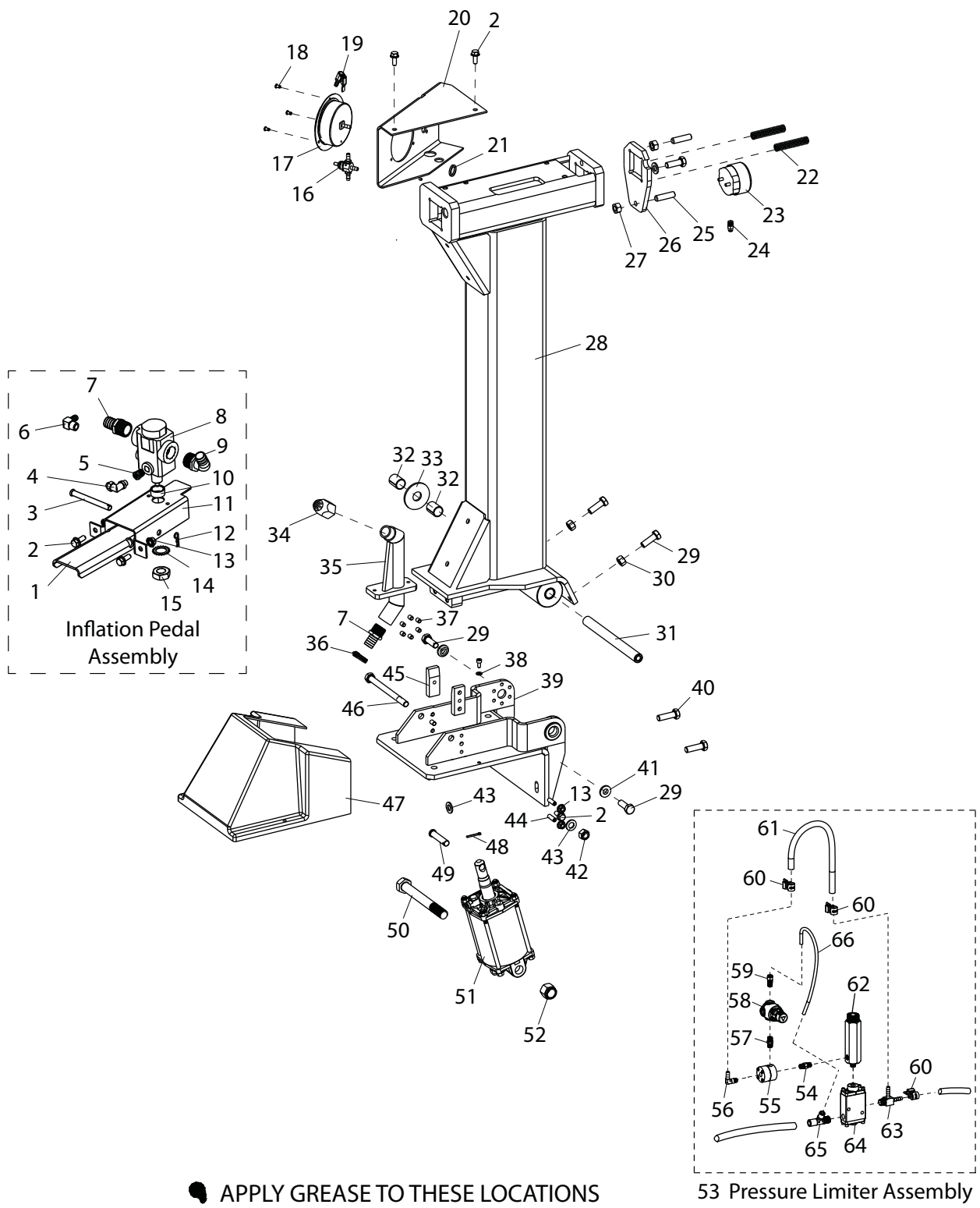
**Accessory Item



 APPLY GREASE TO THESE LOCATIONS

Inflation Bracket & Tiltback Tower Assembly

| Item No | Part No. | Description | Item No | Part No. | Description |
|---------|----------|------------------------------------|---------|----------|-------------------------------------|
| 1 | 85606995 | Pedal Inflation | 44 | 85608814 | M8 x 1.25-25 Set Screw |
| 2 | 85607362 | M8 x 1.25 Whiz Lock HWHCS Screw | 45 | 85608686 | Adjustable Stopper |
| 3 | 8180103 | 3/8 x 3-1/4 Clevis Pin | 46 | 85608815 | M12 x 1.75-150 HHCS Screw |
| 4 | 85608299 | 1/8 NPT - 10mm Tube Rotary Fitting | 47 | 85608829 | Tiltback Tower Cover |
| 5 | 8109481 | 1/4 NPT x 1/8 NPT RDCR Fitting | 48 | 8102278 | Cotter Pin |
| 6 | 8184256 | 1/4 NPT, 1/4 HSE ELL Fitting | 49 | 8120129 | 2 1/4" x 1 1/2" Clevis Pin |
| 7 | 8104573 | 3/4" Straight Fitting | 50 | 85608638 | 3/4-10 x 6-1/2 HHCS Screw, Gr.5 |
| 8 | 85607575 | Dual Stage Valve | 51 | 85608634 | Tiltback Cylinder Assembly |
| 9 | 8107924 | 3/4" 90° Nylon EL Fitting | 52 | 8182016 | 3/4"-10 Nylon Insert Lock Nut, Gr.5 |
| 10 | 8104674 | Bushing (3/4" Valve) | 53 | 8111186 | Pressure Limiter Assembly |
| 11 | 85606994 | Inflation Bracket | 54 | 8109471 | 1/8" Brass Hex Nipple |
| 12 | 8107407 | Hitch Pin Retainer | 55 | 8109468 | Pressure Repeater |
| 13 | 85607346 | M8 Whiz Lock Hex Nut | 56 | 8110497 | Male Elbow 1/8 NPT x 1/4 Hose |
| 14 | 8104612 | 3/4" Ext. Tooth Lock Washer | 57 | 8109472 | 1/8" Inline Filter |
| 15 | 8104610 | 3/4" N.F. Jam Nut Gr.5 | 58 | 8111083 | Regulator |
| 16 | 8183502 | Manifold Bleed Valve Assembly | 59 | 8182035 | 1/8 NPT x 1/4 Tube Male St. Fit. |
| 17 | 8107985 | Air Gauge w/Fasteners | 60 | 85606362 | 13mm Spring Hose Clamp |
| 18 | 8107983 | Plastic Fastener | 61 | 8103649 | ø1/4 x 12" Hose |
| 19 | 8410419 | Air Chuck | 62 | 8110496 | Volumn Chamber |
| 20 | 85609293 | Top Pivot Bracket | 63 | 8110325 | 1/4" NPT Male Run Tee |
| 21 | 85609389 | Pivot Link Spacer | 64 | 8109466 | Piloted Valve |
| 22 | 85608817 | Compression Spring | 65 | 8111255 | 1/4 NPT x 3/8 x 1/4 Spl Tee |
| 23 | 85608695 | 60mm Pancake Cylinder Assembly | 66 | 8182038 | Nylon Tube 1/4 OD x 12.5" Lg. |
| 24 | 8181996 | 1/8 NPT x 1/8" Straight Fitting | | | |
| 25 | 85608871 | M12-1.75 x 65 HHCS Screw, Class 1 | | | |
| 26 | 85608700 | Horizontal Slide Locking Plate | | | |
| 27 | 85609466 | M12 x 1.75 Hex Nut | | | |
| 28 | 85608660 | Tiltback Tower | | | |
| 29 | 85608770 | M12-1.75 x 25 HHCS Screw, Class 1 | | | |
| 30 | 85607009 | M12 x 1.75 Hex Nut | | | |
| 31 | 85608687 | Tiltback Tower Pivot Pin | | | |
| 32 | 85608667 | Bushing | | | |
| 33 | 85608730 | Special Washer | | | |
| 34 | 85608894 | Inflation Nozzle Cone | | | |
| 35 | 85609585 | Nozzle | | | |
| 36 | 8101346 | Hose Clamp | | | |
| 37 | 85608434 | M8 x 1 Set Screw | | | |
| 38 | 80180035 | M6 Flat Washer | | | |
| 39 | 85608661 | Tiltback Tower Bracket | | | |
| 40 | 85607648 | M12 x 1.75 x 40mm HHCS Bolt | | | |
| 41 | 85608689 | Special Washer | | | |
| 42 | 85608816 | M12 x 1.75 Nylon Lock Nut | | | |
| 43 | 85606917 | M12 Plain Washer | | | |



Tiltback Tower Arm Assembly

Item No Part No. Description

| | | |
|----|----------|--|
| 1 | 85607525 | M10 x 20mm HSWF Screw |
| 2 | 8182027 | 7 ga. x .406 ID x 1.28 OD Washer |
| 3 | 8140667 | 1/4-20 x 1/4 Soc.Hd.Set Scr, Gr.8 |
| 4 | 8182787 | 0.562 Diameter x 0.515 LG. Roller |
| 5 | 8182786 | 5MM x 25MM Dowel Pin |
| 6 | 8182813 | 3/8-16 x 3/4" Ctr Bore Cap Scr, Gr.8 |
| 7 | 8182788 | Duckhead® Mount/Demount Tool Kit (Metal) |
| 8 | 8185256 | O-ring |
| 9 | 8185734 | Lift Cylinder Pistion Seal |
| 10 | 85609388 | M4 x 6mm Cup Point Set Screw |
| 11 | 85609229 | Lift Cylinder Tube |
| 12 | 8181979 | 1/2" Retaining Ring |
| 13 | 85609401 | 1/8" Meter Out Fitting |
| 14 | 85609230 | Lift Cylinder Tube Base |
| 15 | 85609228 | Lift Cylinder Shaft |
| 16 | 85609227 | Vertical Slide Shaft |
| 17 | 85608819 | Rubber Stop Bumper |
| 18 | 85608704 | Horizontal Slide |
| 19 | 85609068 | Tiltback Tower Tube |
| 20 | 85607322 | M6 x 12mm Lg. SHCS Screw |
| 21 | 85608886 | Tension Spring |
| 22 | 85607890 | Roll Pin |
| 23 | 85608891 | M10 x 1.5-45mm HHCS Screw, Gr.8.8 |
| 24 | 85607529 | M6 x 20 HWHCS Screw |
| 25 | 85608835 | M4 x 0.7 Nylon Nut |
| 26 | 82012461 | Knob Value Assembly |
| 27 | 85608834 | M4 x 0.7-35 HHCS Screw |
| 28 | 85608893 | 1/8 x 10-32 UNF Straight Fitting |
| 29 | 85609326 | M5 x 6mm Straight Tube Fitting |
| 30 | 85608874 | Vertical Slide Cover |
| 31 | 85608633 | Rubber Foot Pad |
| 32 | 85000045 | 1/8PTC x 1/8PT" Tee Fitting |
| 33 | 85609117 | 65mm Pancake Cylinder Assembly |
| 34 | 85608892 | M10 x 1.5 Nylon Lock Nut, Class 1 |
| 35 | 85608713 | Vertical Slide Locking Plate |
| 36 | 85609480 | Compression Spring |
| 37 | 85609226 | Vertical Slide Cap |
| 38 | 85608364 | Flange Screw |

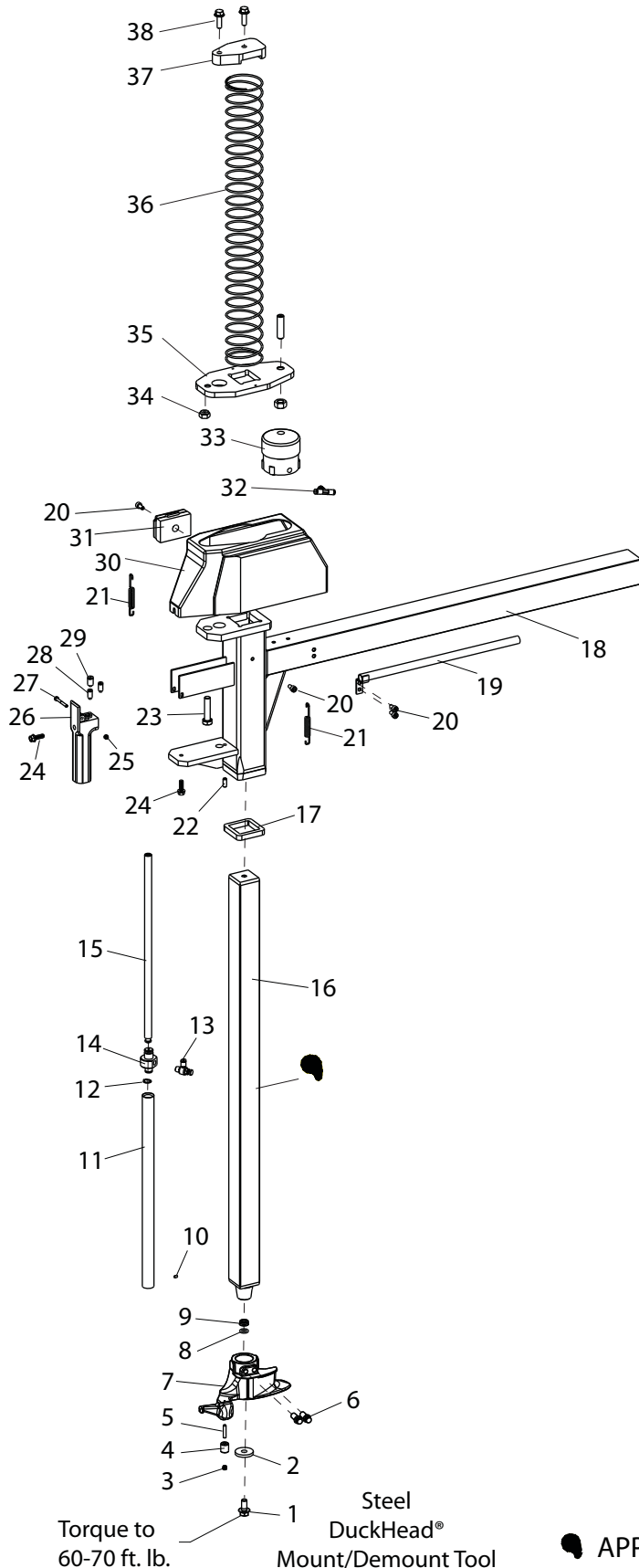
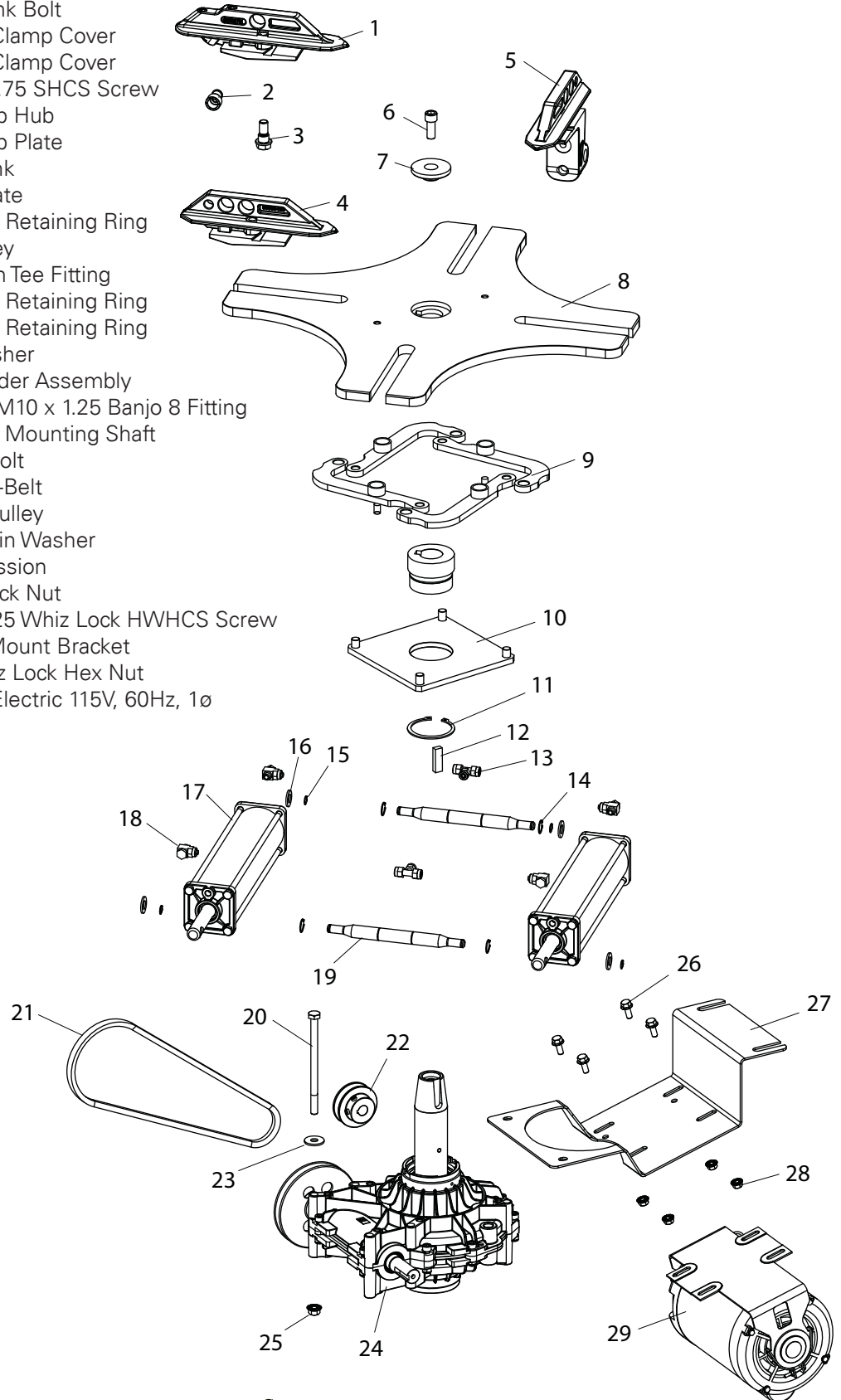


Table Top & Shaft Housing Assembly

| Item No | Part No. | Description |
|---------|----------|----------------------------------|
| 1 | 85000761 | Clamp Carrier/Cover |
| 2 | 8182250 | Adj. Clamp Plunger/Spring Assy. |
| 3 | 8182279 | Table Link Bolt |
| 4 | 85608450 | Carrier Clamp Cover |
| 5 | 85608448 | Carrier Clamp Cover |
| 6 | 85606967 | M12 x 1.75 SHCS Screw |
| 7 | 85606968 | Table Top Hub |
| 8 | 85609238 | Table Top Plate |
| 9 | 85608374 | Pivot Link |
| 10 | 85606910 | Pivot Plate |
| 11 | 85606971 | External Retaining Ring |
| 12 | 85606969 | Taper Key |
| 13 | 85608297 | 8 x 5mm Tee Fitting |
| 14 | 903174 | External Retaining Ring |
| 15 | 85606919 | External Retaining Ring |
| 16 | 85606920 | Flat Washer |
| 17 | 85608377 | 3" Cylinder Assembly |
| 18 | 85608476 | 5mm x M10 x 1.25 Banjo 8 Fitting |
| 19 | 8185678 | Cylinder Mounting Shaft |
| 20 | 85606979 | HHCS Bolt |
| 21 | 85609354 | Motor V-Belt |
| 22 | 85609750 | Motor Pulley |
| 23 | 85606982 | M10 Plain Washer |
| 24 | 85609393 | Transmission |
| 25 | 85607342 | Whiz Lock Nut |
| 26 | 85607362 | M8 x 1.25 Whiz Lock HWHCS Screw |
| 27 | 85609353 | Motor Mount Bracket |
| 28 | 85607346 | M8 Whiz Lock Hex Nut |
| 29 | 85609751 | Motor, Electric 115V, 60Hz, 1ø |

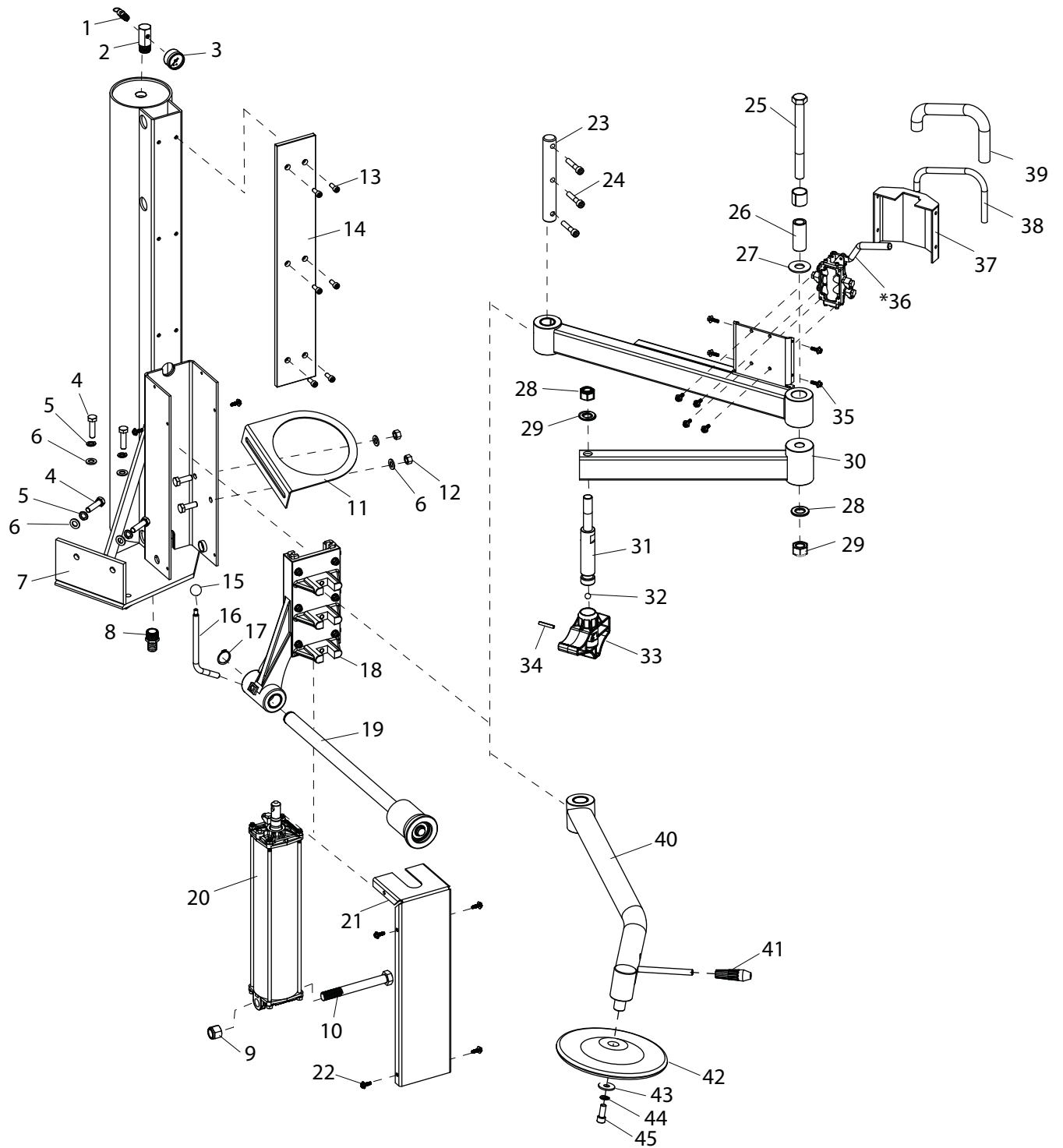


● APPLY GREASE TO THESE LOCATIONS

Auxillary Tower Assembly

| Item No | Part No. | Description | Item No | Part No. | Description |
|---------|----------|----------------------------------|---------|----------|------------------------------|
| 1 | 8182599 | Safety Valve | 26 | 85608800 | Pivot Link |
| 2 | 8109784 | Manifold/Gauge Protector | 27 | 85607626 | M20 x 50mm Flat Washer |
| 3 | 8108968 | Air Gauge | 28 | 85607629 | M20 x 2.5 Nylock Hex Nut |
| 4 | 85608769 | HHCS Bolt | 29 | 85607353 | M20 x 37mm Flat Washer |
| 5 | 85606916 | M12 Spring Lock Washer | 30 | 85608795 | Front Arm Weldment |
| 6 | 85606917 | M12 Plain Washer | 31 | 85608798 | 32mm Piston Shaft |
| 7 | 85609256 | Right Helper Arm Tower | 32 | 8301017 | ø1/2" Steel Ball |
| 8 | 8104573 | 3/4" Straight Fitting | 33 | 85009167 | Plastic Foot Hold Down |
| 9 | 8182016 | 3/4-10 Hex Nylock Lock Nut | 34 | 905563 | ø1/4" x 1-1/2" Roll Pin |
| 10 | 85608638 | 3/4-10 x 6-1/2 HHCS Screw, Gr.5 | 35 | 8143168 | 1/4-20 x 3/4 Whiz Lock HHCS |
| 11 | 85608870 | Lube Bucket Bracket | *36 | | Auxillary Arm Valve Assembly |
| 12 | 85607009 | M12 x 1.75 Hex Nut | 37 | 85609602 | Valve Cover |
| 13 | 85609275 | M8 x 1.25-20 SHCS Screw | 38 | 85609632 | 17mm Shrinkable Tube |
| 14 | 85609274 | Vertical Slide Cover | 39 | 85609605 | Foam Grip Handle |
| 15 | 85608153 | 25mm Round Handle Cover | 40 | 85609663 | Horizontal Disc Assembly |
| 16 | 85609564 | L Shape Handle | 41 | 85608437 | Rubber Knob Cover |
| 17 | 85608783 | Retaining Ring | 42 | 85609666 | Disc |
| 18 | 85608754 | Vertical Slide Assembly | 43 | 85609668 | M12 Fender Washer |
| 19 | 85608782 | Horizontal Roller Assembly | 44 | 85606916 | M12 Spring Lock Washer |
| 20 | 85608758 | Vertical Slide Cylinder Assembly | 45 | 85606967 | M12-1.75 SHCS Screw |
| 21 | 85608764 | Cylinder Cover | | | |
| 22 | 8106301 | 1/4" Hex Hd Self Tap Screw, Gr.5 | | | |
| 23 | 85609606 | 30mm Diameter Rod | | | |
| 24 | 85608785 | M10 x 1.5-50 SHCS Screw | | | |
| 25 | 85608799 | M20 x 2.5 HHCS Screw | | | |

***Valve Assemblies (available only as individual components, see page 12)**

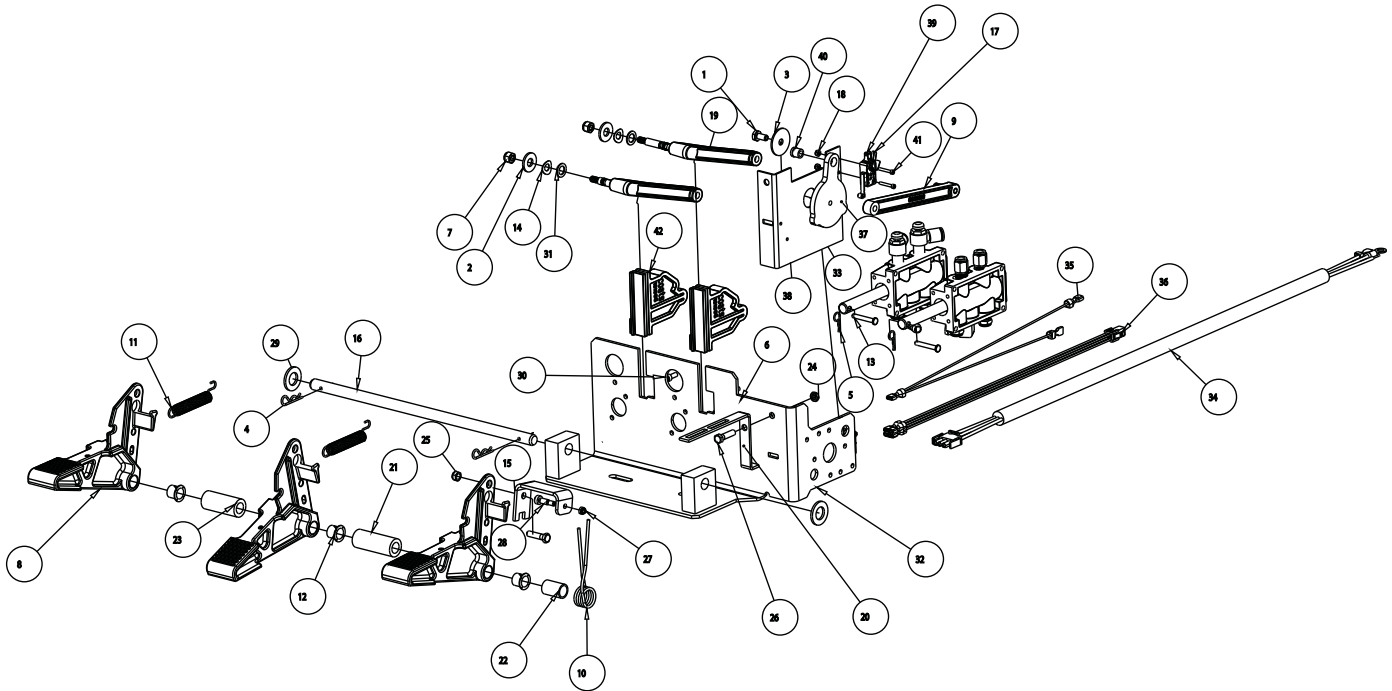


 APPLY GREASE TO THESE LOCATIONS

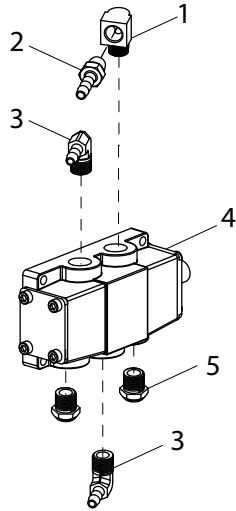
Foot Pedal Assembly

| Item No | Part No. | Description | Item No | Part No. | Description |
|---------|-----------|-------------------------------------|---------|------------|-----------------------------|
| 1 | 902189 | 1/4-20 x 0.500HHCS | 25 | 85607531 | M6 Nylock Hex Nut |
| 2 | 8107635 | 5/16" Flat Washer | 26 | 85607532 | M6 x 25 HHCS Screw |
| 3 | 8111032 | 1/4" Heavy Fender Washer | 27 | 85607536 | M5 Nylock Hex Nut |
| 4 | 8111609 | Hair Pin Cotter | 28 | 85607537 | 6.5 x 10 SHSHS Screw |
| 5 | 8120469 | Hitch Clip Pin | 29 | 85607541 | M14 Plain Washer |
| 6 | 8143254 | Insulated Wire Joint | 30 | 85608491 | 10-24 x 1/2 UNC SHCSS |
| 7 | 8181369 | 1/4-20 Lock Nut, Nyl. Ins. Gr.5 | 31 | 85608545 | 10 x 16 x 1 Flat Washer |
| 8 | 8181675 | Pedal | 32 | 85608702 | Pedal Valve Bracket |
| 9 | 8181699 | Actuator Switch Lever | 33 | 85609739 | Switch Plate |
| 10 | 8181707-1 | Torsion Spring | 34 | 85609740 | 2 Speed Motor Wire Assembly |
| 11 | 8181708 | Extension Spring | 35 | 85609741 | CORG2SP - SWH |
| 12 | 8181948 | 1/2" Nylon Flanged Bearing | 36 | 85609742 | CORG2SP - SWHG |
| 13 | 8181977 | 3/16 x 1-1/4 Clevis Pin | 37 | 85609743 | Switch Disk |
| 14 | 8181981 | 5/16" Wave Washer | 38 | 85609744 | Switch Plate Assembly |
| 15 | 8182363 | Electrical Switch Extension Bracket | 39 | 85609746 | Foot Pedal Switch |
| 16 | 8183398 | Pedal Shaft | 40 | 85609748 | 1/4-20 Allen Nut |
| 17 | 8305015 | Double Slide Adapter | 41 | 95000064 | #4-40 x 3/4 Lg. SHC Screw |
| 18 | 85000357 | #4-40 Nylok Nut | 42 | 8181695R10 | Cam Mounting Block |
| 19 | 85010038 | Cam Lever Follower | | | |
| 20 | 85606933 | Bracket Guide | | | |
| 21 | 85606972 | Pedal Spacer | | | |
| 22 | 85606974 | Switch Spring Sleeve | | | |
| 23 | 85607347 | Pedal Spacer | | | |
| 24 | 85607530 | M6 Hex Jam Nut | | | |

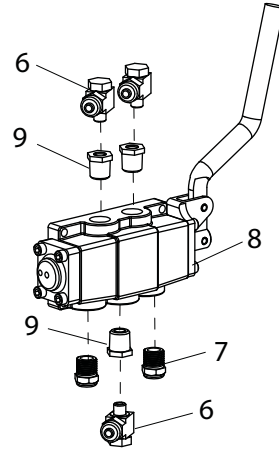
***Valve Assemblies (available only as individual components, see page 13)**



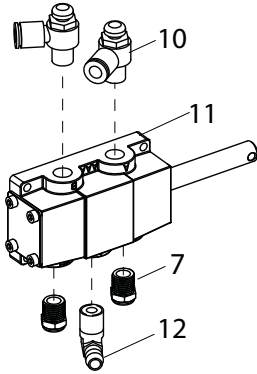
Valve Assemblies



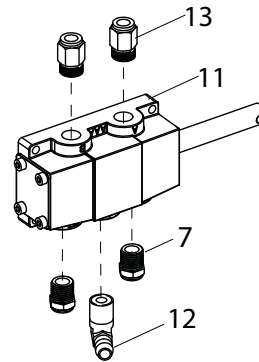
**Bead Loosener Arm
Valve Assembly**



**Bead Loosener Arm
Valve Assembly**



**Clamp Control Pedal
Valve Assembly**

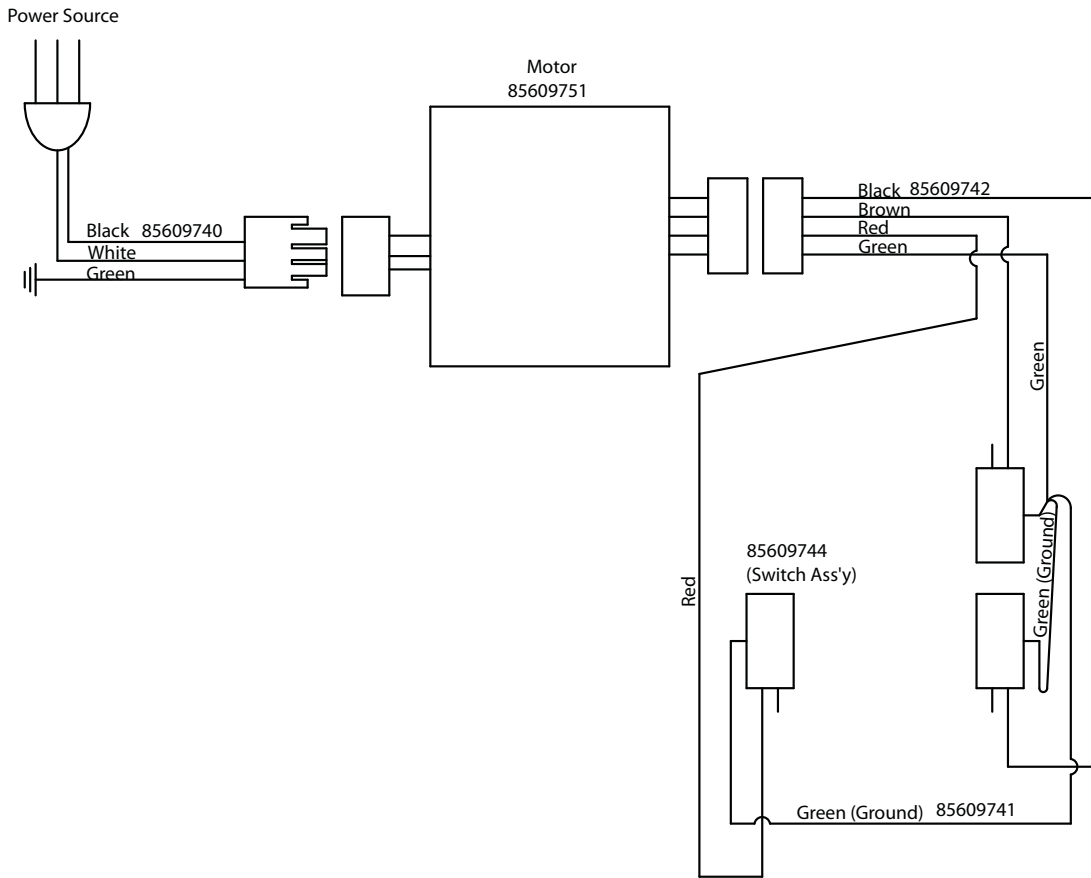


**Table Top Pedal
Valve Assembly**

| Item | Part No. | Description | Item | Part No. | Description |
|------|----------|------------------------------|------|----------|---------------------------------------|
| 1 | 8000372 | 1/4 NPT, 90° St. ELL Fitting | 9 | 85608827 | 1/4 NPT & M10 x 1.25 Coupler |
| 2 | 8000378 | 1/4" Brass St. Fitting | 10 | 85608858 | 1/4 NPT x 6 Flow Control Fitting |
| 3 | 8000376 | ELL 90° 1/4 Hose Fitting | 11 | 8181986 | 4-Way w/Pull Pin Valve |
| 4 | 8184878 | 4-way Valve, Pedal Operated | 12 | 8184467 | 1/4" NPT x 3/8 BRB x 3/8B Tee Fitting |
| 5 | 85607855 | 1/4 NPT Muffler, Small | 13 | 85607170 | 8MM x 1/4NPT Straight Fitting |
| 6 | 85608828 | M8 x 1.25/8 Banjo Fitting | 14 | 8184256 | 1/4 NPT, 1/4 HSE ELL Fitting |
| 7 | 8105615 | Small Muffler | | | |
| 8 | 8185585 | 3 Position Valve | | | |

Electric Schematics

115V Motor



Pneumatic Diagrams

GTS70

| Part No. | Description |
|----------|--|
| 8099050 | 3/8" ID X 5/8" OD Black Rubber Hose |
| 8099053 | 1/4" ID X 1/2" OD Black Rubber Hose |
| 8099993 | 8mm OD Black Plastic Tube |
| 8099075 | 1/8" OD Black Plastic Tube |
| 85608937 | 6mm OD Black Plastic Tube |
| 8099056 | 3/4" ID X 1-3/16" OD Black Rubber Hose |
| 8182005 | 0.375" OD Plastic Tube |

