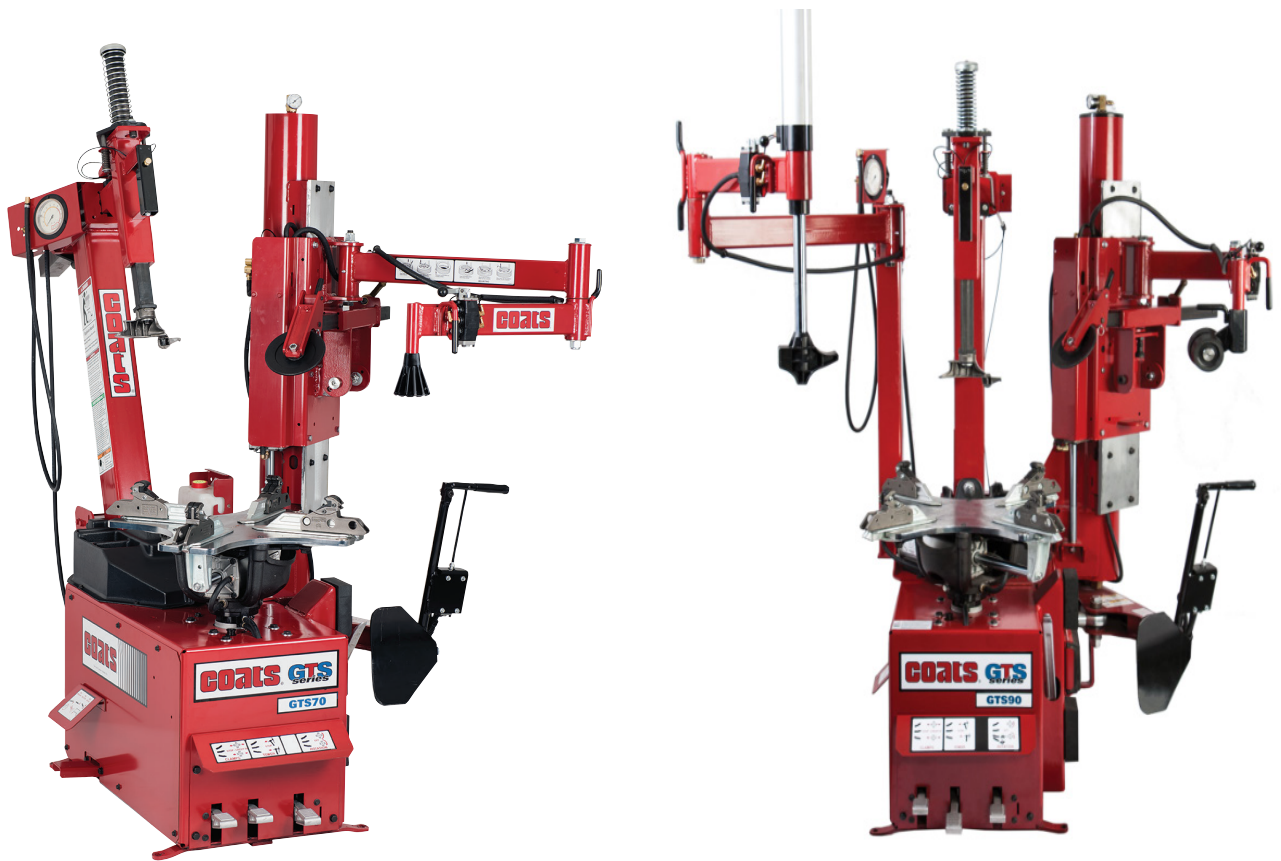


# COATS® **GTS** series

## **GTS50/60/70 and GTS90** **Rim Clamp® Tire Changers**

For servicing single piece automotive and most tubeless light truck tire/wheel assemblies.

Any other type, including tube type and agricultural, require special handling.  
Tires identified as truck tires need to adhere to OSHA standard 1910.177.



### *Parts Identification*

READ these instructions before placing unit in service. KEEP these and other materials delivered with the unit in a binder near the machine for ease of reference by supervisors and operators.

**HENNESSY INDUSTRIES, INC.**

1601 J. P. Hennessy Drive, LaVergne, TN USA 37086 615/641-7533 800/688/6359 www.coatsgarage.com  
HENNESSY INDUSTRIES INC. Manufacturer of AMMCO®, COATS® and BADA® Automotive Service Equipment and Tools.

Manual Part No.: 85609916 03  
Revision: 04/16

## **Parts Identification**

The following pages include parts breakdowns with exploded view illustrations to help with ordering replacement or spare kits. Assemblies are noted where it is recommended that individual parts not be ordered separately. Note that the parts view illustrations are for multiple models and not all parts shown are on all models. Every effort is made to supply accurate exploded views, however, due to interim changes in manufacturing operations, some units may not be exactly as illustrated.

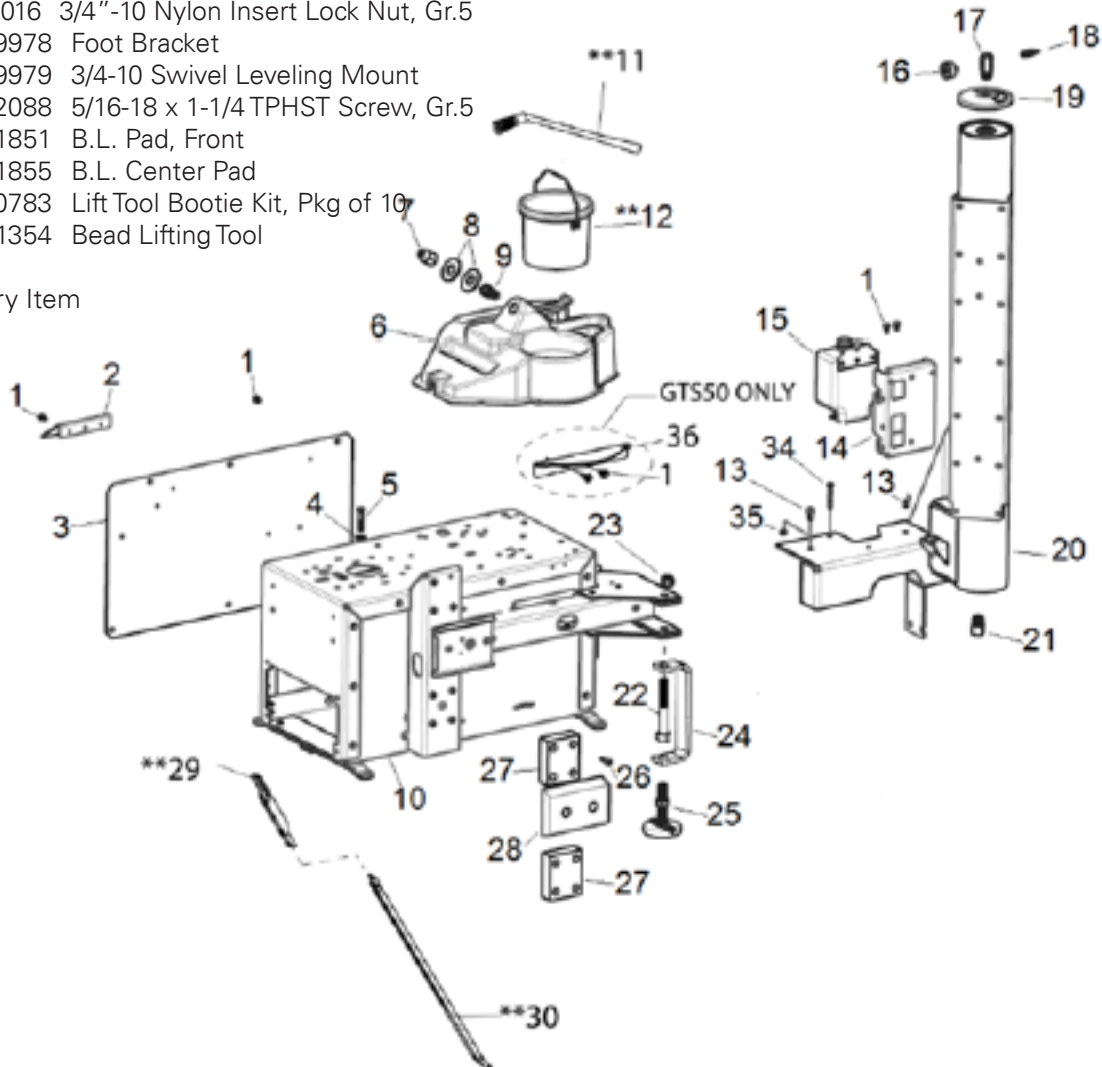
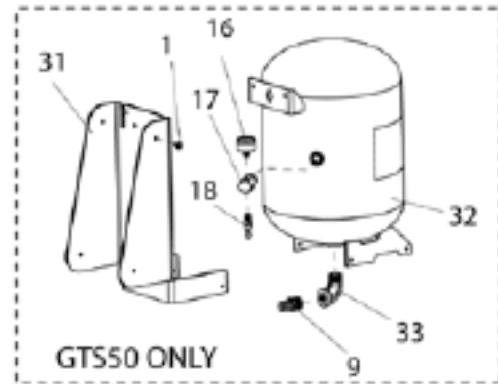
## **Table of Contents**

Parts Identification.....	2
Chassis and Auxillary Tower Assembly .....	4
BL Arm Assembly .....	5
Foot Pedal Assembly.....	6
Tiltback Tower Arm Assembly.....	7
Inflation Bracket & Tiltback Tower Assembly .....	8
Auxillary Tower Assembly .....	10
Robo-Arm Tower (GTS90 Only) .....	12
Table Top and Shaft Housing Assembly .....	14
Cylinder Assemblies .....	16
Valve Assemblies .....	18
Electric Schematics.....	19
Pneumatic Diagrams.....	20
Decal Locations.....	24

# Chassis and Auxillary Tower Assembly

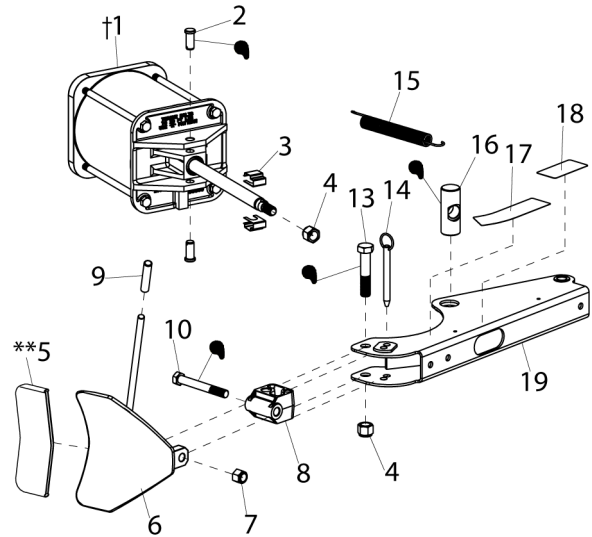
Item No	Part No.	Description	Item No	Part No.	Description
1	8106301	1/4" Hex Hd Self Tap Screw, Gr.5	31	85610046	Surge Tank Mount Bracket
2	8182811	Inflation Pedal Cover	32	8107927	Surge Tank
3	8182807	Side Panel	33	8000572	3/4 x 90 EII Fitting
4	8301032	3/8 Flat Washer, Zinc Plate	34	8105710	5/16-18 NCX 2-1/2"
5	8182040	M10-1.5 x 55MM Hex Hd.Cap Scr, Gr.8.8	35	8182178	Whiz Lock Nut
6	85609876	Accessory Tray	36	85610194	Mounting Tray Plate
7	85608894	Inflation Nozzle Cone			
8	8183247	Washer			
9	8104573	3/4" Straight Fitting			
10	8182041	Chassis			
**11	85000850	Tire Paste Brush			
**12	8183710	Universal Mounting Paste			
13	8106302	3/8" Whiz Lock Screw, Gr.5			
14	8183770	Lubricator Bracket			
15	8185629	Tank Reservoir w/Cap			
16	8108968	Air Gauge			
17	8109784	Manifold/Gauge Protector			
18	8182599	Safety Valve			
19	8182458	Plastic Cap (Tower)			
20	85609827	Auxillary Tower			
21	85009959	3/4 NPT Elbow Fitting			
22	8182679	Screw			
23	8182016	3/4"-10 Nylon Insert Lock Nut, Gr.5			
24	85609978	Foot Bracket			
25	85609979	3/4-10 Swivel Leveling Mount			
26	8182088	5/16-18 x 1-1/4 TPHST Screw, Gr.5			
27	8181851	B.L. Pad, Front			
28	8181855	B.L. Center Pad			
**29	85000783	Lift Tool Bootie Kit, Pkg of 10			
**30	8181354	Bead Lifting Tool			

\*\* Accessory Item



# BL Arm Assembly

Item	Part No.	Description
†1	81833125	B.L. Cylinder, 1/4" Fitting (70 Series, Hand Operated)
2	8181949	5/8 x 1-3/8 Clevis Pin
3	8181912	Clevis Clip
4	8182016	3/4"-10 Nylon Insert Lock Nut, Gr.5
**5	8183606	Shoe Bootie Kit, Pkg of 2
6	85608038	B.L. Shoe, Handle & Pivot W/C (Hand Operated)
7	8182043	5/8-11 Nylon Insert Lock Nut Gr.5
8	8181951	B.L. Shoe Pivot Bracket
9	8100979	3/4", Rubber Hand Grip (Hand Operated)
10	8182011	5/8-11 x 5" Hex Hd Cap Scr, Gr.5
*11	85608033	B.L. Arm Valve Assembly
	8185755	B.L. Arm Valve Assy (old style)
12	902189	1/4-20 x .504 HHCS
13	8182009	3/4-10 x 3 3/4" HHCS
14	8120326	ø1/2" Hitch Pin
17	8181970	Bead Loosener Caution Decal
18	8182768	Bead Loosener Caution Decal
19	8182002	B.L. Arm
20	8185558	Shoulder Screw
21	85000047	10/24 x 1" HHCS Screw
22	8301035	3/8-16 Hex Nyloc Nut
23	8182682	10-24 Nylon Insert Lock Nut Gr.5
24	85608037	Lever Link
25	8106301	1/4" Hex Hd Self Tap Screw, Gr.5
26	8182044	Neoprene Cushion Clamp
27	85608034	B.L. Lever Assembly
28	85608569	Heim Joint
29	8182457	3/4" Washer
30	85608567	Spacer
31	85608566	Spacer
32	8182579	Screw



 APPLY GREASE TO THESE LOCATIONS

†Cylinder Assemblies (see page 14)

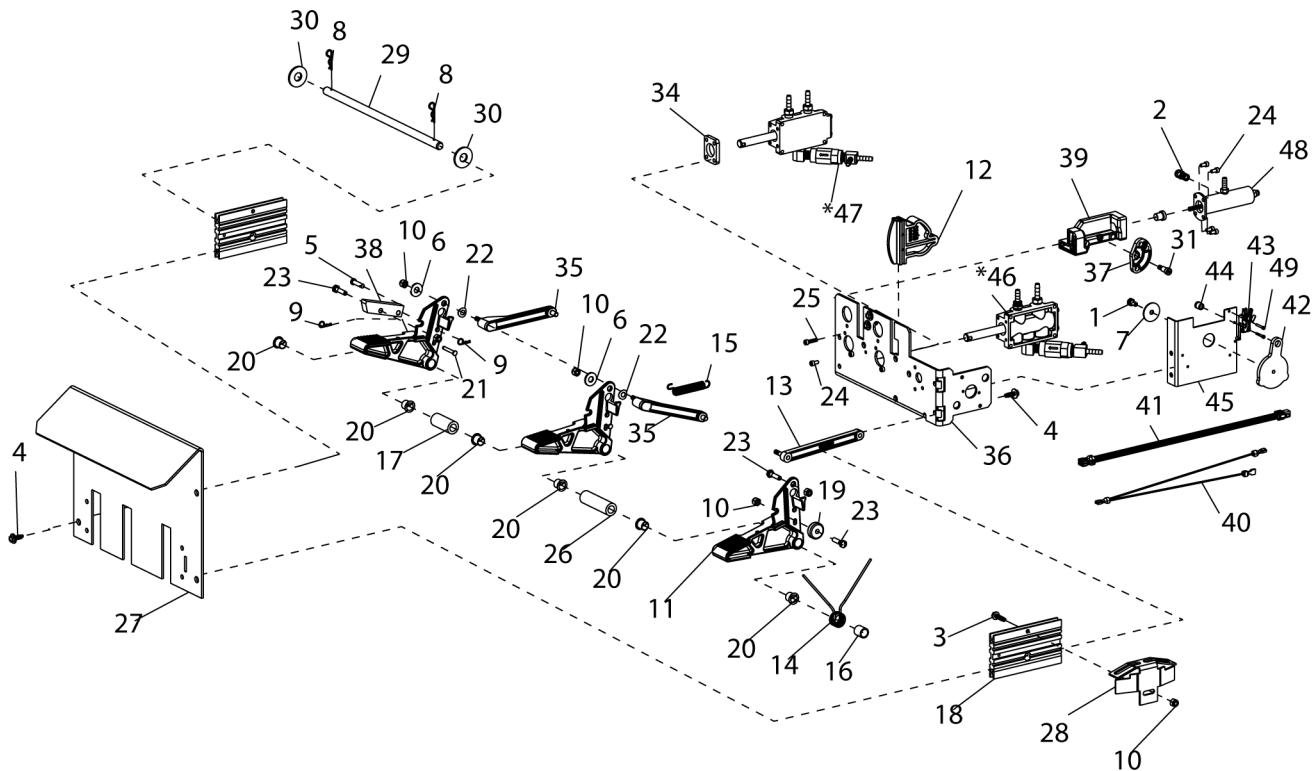
**\*Valve Assemblies (available only as individual components, see page 15)**

\*\*Accessory Item

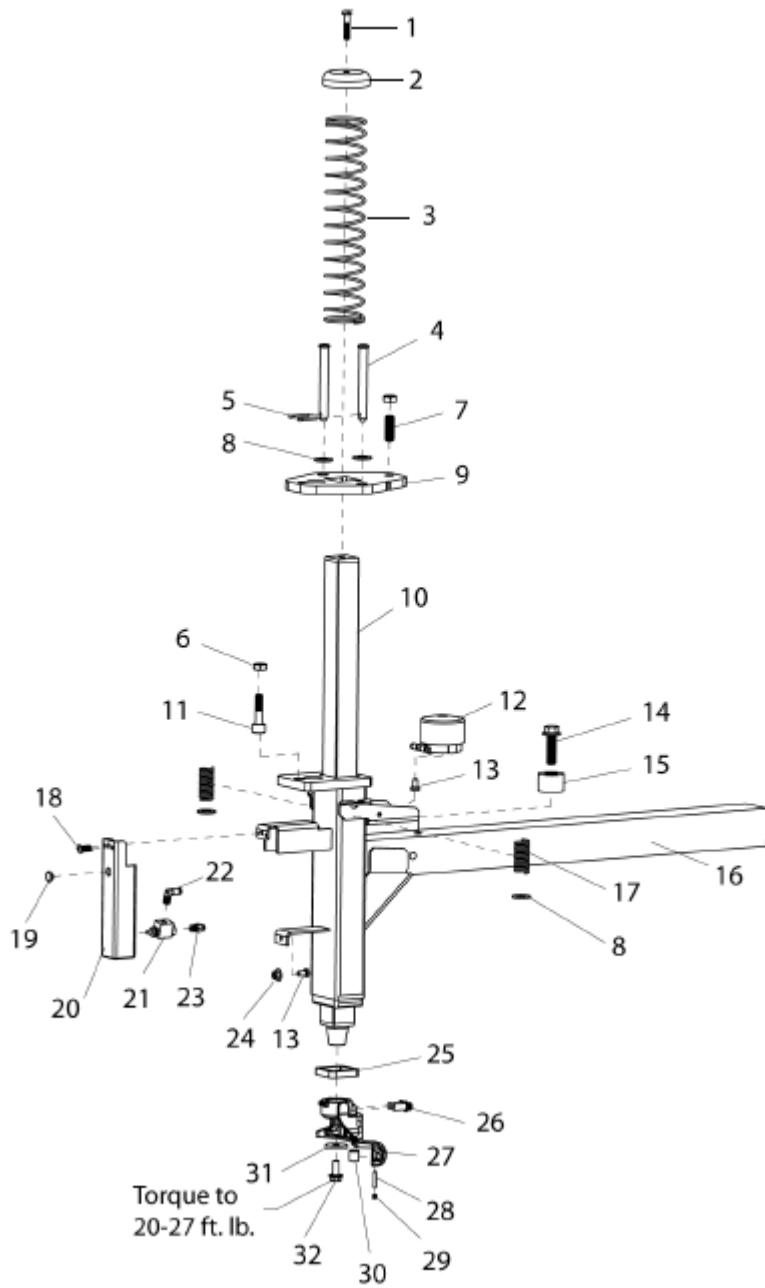
# Foot Pedal Assembly

Item No	Part No.	Description	Item No	Part No.	Description
1	902189	1/4-20 x.504 HHCS	27	8182332	Guard-Foot Pedal
2	8103737	Release Valve	28	8182670	Spring Stop Bracket
3	8104945	1/4 x 1 Self Tapping Bolt	29	8183398	Pedal Shaft
4	8106301	1/4" Hex Hd Self Tap Screw, Gr.5	30	8301121	Washer
5	8106455	Clevis Pin	31	8301537	Shoulder Screw
6	8107635	5/16" Flat Washer	32	8305015	Double Slide Adapter
7	8111032	1/4" Heavy Fender Washer	33	85000357	#4-40 Nylok Nut
8	8111609	Hair Pin Cotter	34	85009982	Spacer-Valve, Clamp, TT
9	8120469	Hitch Clip Pin	35	85010038	Cam Lever Follower
10	8181369	1/4-20 Lock Nut, Nyl. Ins. Gr.5	36	85606356	Switch Valve Bracket
11	8181675	Pedal	37	85608195	Pivot Link
12	8181695	Cam Mounting Block	38	85608197	Pedal Stop
13	8181699	Actuator Switch Lever	39	85608560	Block-Lower Stop Pedal
14	8181707	Torsion Spring	40	85609741	2-Speed, 2-Wire Harness
15	8181708	Extension Spring	41	85609742	2-Speed, 4-Wire Harness
16	8181872	Switch Spring Sleeve	42	85609743	Disk Switch
17	8181911	Pedal Spacer	43	85609746	Foot Pedal Switch
18	8181918	Valve Brkt. Spacer Bar	44	85609748	1/4-20 Allen Nut
19	8181923	Stop Washer	45	85609917	2-Speed, Switch Plate
20	8181948	Nyliner Bearing	*46	85609945	Valve Assembly
21	8181977	3/16 x 1-1/4 Clevis Pin	*47	85609946	Clamp Valve Assembly
22	8181981	5/16" Wave Washer	48	85610038	Oil Injector Assembly
23	8181984	1/4-20 x 1.00 HHCS	49	95000064	#4-40 x 3/4 Lg. SHC Screw
24	8181989	10-24 x 3/8 SHCS, Gr.8			
25	8182001	10-24 x 3/4 SHCS			
26	8182327	Pedal Spacer			

**\*Valve Assemblies (available only as individual components, see page 15)**



# Tiltback Tower Arm Assembly



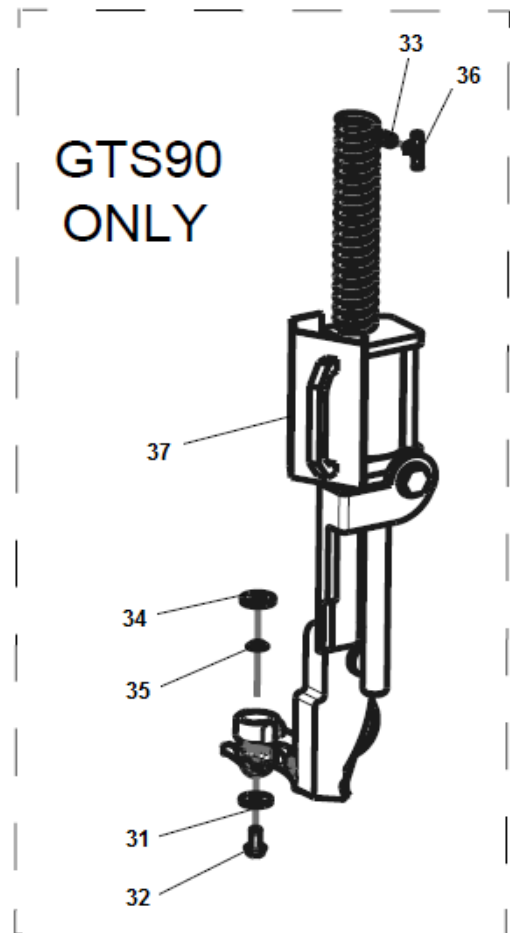
Steel DuckHead® Mount/Demount Tool

## Item No Part No. Description

1	8183151	5/16-18 UNC BHSCS Screw
2	8181771	Vertical Slide Knob
3	8182028	Vertical Slide Spring
4	8111148	Clevis Pin
5	8102278	Cotter Pin
6	8181113	1/2"-13 Jam Nut, Gr. 5
7	8185723	1/2-13 x 1-1/2" Set Screw
8	903214	1/2" S.A.E. Std.Flat Washer
9	8185761	Vertical Slide Lock Plate
10	8182812	Vertical Slide Shaft
11	8181740	1/2-13 x 1-3/4" SHCS Screw
12	85000046	Slide Lock Cylinder Assembly
13	902189	1/4-20 x.504 HHCS
14	8120063	Whiz Lock Bolt

## Item No Part No. Description

15	8309008	Hood Stop Molding
16	85609794	Horizontal Slide Assembly
17	8185726	Compression Spring
18	8181983	10-24 x 5/8 BHSCS, Gr.8
19	8182047	3 Way Push Botton Valve
20	85610043	Horizontal/Vertical Slide Handle
21	8182385	3 Way Nor Open Valve
22	8181997	90° Elbow 1/8 NPT x 1/8" Fitting
23	8181996	1/4 NPT x 1/8 Tube St. Fitting
24	8143169	1/4-20 Whiz Lock Nut, Gr.5
25	8182031	Rubber Bumper
26	8182813	3/8-16 x 3/4" Ctr Bore Cap Scr, Gr.8
27	8182788	Duckhead® Mount/Demount Tool Kit (Metal)
28	8182786	5MM x 25MM Dowel Pin
29	8140667	1/4-20 x 1/4 Soc.Hd.Set Scr, Gr.8
30	8182787	0.562 Diameter x 0.515 LG. Roller
31	8182027	7 ga. x .406 ID x 1.28 OD Washer
32	8106302	3/8" Whiz Lock Screw, Gr.5
33	84198172	1/8 Fitting - UNN
34	84395804	14.2X35X5 Washer
35	84395805	10.2X21X4 Washer
36	85000045	1/8 X 1/8 Tee Fitting
37	89235053	Leverless Device

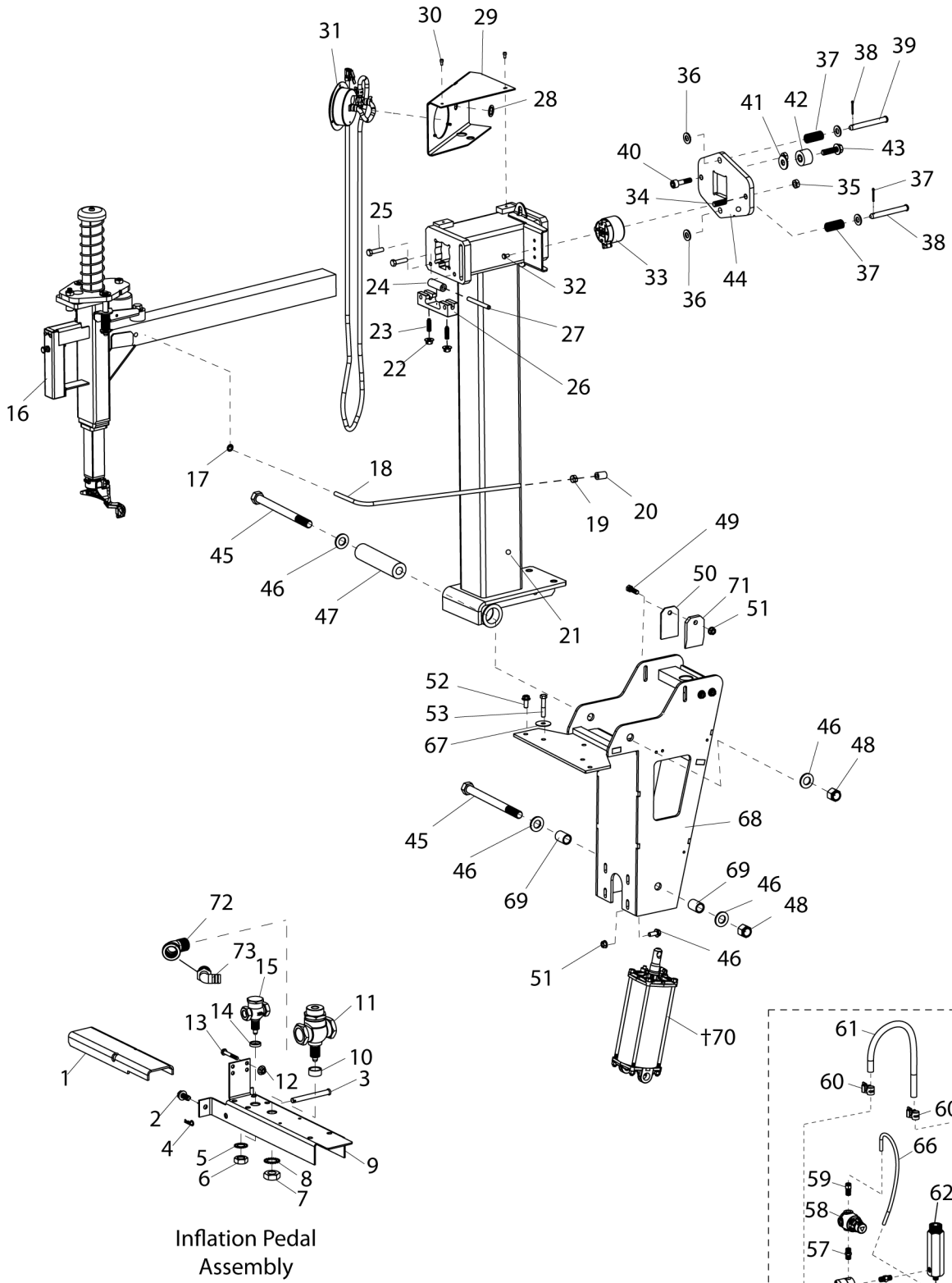


# Inflation Bracket & Tiltback Tower Assembly

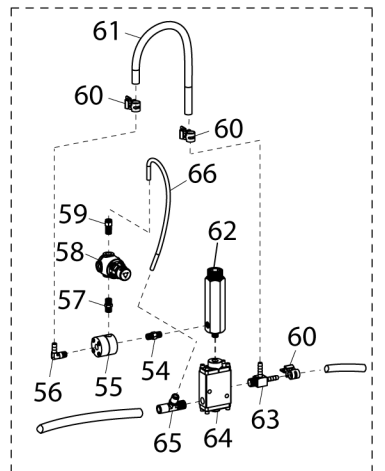
Item No	Part No.	Description	Item No	Part No.	Description
1	8181933	Pedal Inflation	41	8301121	Washer
2	8102459	3/8" Self Tap Screw Gr.5	42	8309008	Hood Stop Molding
3	8180103	3/8 x 3-1/4 Clevis Pin	43	8120063	Whiz Lock Bolt
4	8107407	Hitch Pin Retainer	44	8185762	Horizontal Slide Lock Plate
5	8104613	5/8" Ext. Tooth Lock Washer	45	8182126	3/4-10 x 9 HHCS Screw
6	8104611	5/8" N.F. Jam Nut Gr.5	46	8182457	3/4" Washer
7	8104610	3/4" N.F. Jam Nut Gr.5	47	8185753	Tilt Tower Pivot
8	8104612	3/4" Ext. Tooth Lock Washer	48	8182016	3/4"-10 Nylon Insert Lock Nut, Gr.5
9	8181932	Inflation Brkt.	49	8107715	3/8-16 x 1-1/4 HHCS, Gr.8.8
10	8104674	Bushing (3/4" Valve)	50	85610137	Tilt Tower Guide Plate
11	8106298	3/4" Valve Ported 1/4"-18 NPT	51	8106303	Whiz Lock Nut, Gr.5
12	8143169	1/4-20 Whiz Lock Nut, Gr.5	52	8106302	3/8" Whiz Lock Screw, Gr.5
13	8120408	1/4-20 x 1-3/4 H.H. Cap Scr., Gr.5	53	906101	3/8-16 x 2" HHCS Screw
14	8104673	Bushing (1/4" Valve)	54	8109471	1/8" Brass Hex Nipple
15	8104600	1/4" Valve Comp.	55	8109468	Pressure Repeater
16	85609793	Horizontal/Vertical Slide	56	8110497	Male Elbow 1/8 NPT x 1/4 Hose
17	85000053	10mm Ext. Push On Ring	57	8109472	1/8" Inline Filter
18	85000043	Protector Formed Tube	58	8111083	Regulator
19	85000055	3/8 Hose Clamp	59	8182035	1/8 NPT x 1/4 Tube Male St. Fit.
20	85610039	3/8" I.D. x 1" Black Hose	60	85606362	13mm Spring Hose Clamp
21	85609803	Tiltback Tower Assembly	61	8103649	ø1/4 x 12" Hose
22	8120424	3/8"-16 Wash Hd. Lock Nut Gr.5	62	8110496	Volume Chamber
23	8185749	3/8-16 x 1 1/4" Set Screw	63	8110325	1/4" NPT Male Run Tee
24	8185748	Horizontal Slide Roller Shaft	64	8109466	Piloted Valve
25	8108517	1-1/2" x 3/8-16 UNC Screw	65	8111255	1/4 NPT x 3/8 x 1/4 Spl Tee
26	8185746	Horizontal Slide Roller Block	66	8182038	Nylon Tube 1/4 OD x 12.5" Lg.
27	8185747	3/8" x 3.5" Dowel Pin	67	8107408	3/8 Fender Washer
28	8108280	0.755 x 1.125 Washer	68	85609853	Pivot Base Weldment
29	85610037	Air Gauge Bracket	69	85000289	1" OD x .761 ID Steel Tube Spacer
30	8181989	10-24 x 3/8 SHCS, Gr.8	†70	8184814	Lift Cylinder Assembly
31	8182596	Manifold Air Gauge Assembly	71	8184874	Tilt Tower Guide
32	902189	1/4-20 x 0.500HHCS	72	85000103	3/4" 45° EL Fitting
33	8181787	Slide Lock Cylinder Assembly	73	8107924	3/4" 90° Nylon EL Fitting
34	8185723	1/2-13 x 1-1/2" Set Screw			
35	8181113	1/2"-13 Jam Nut, Gr. 5			
36	903214	1/2" S.A.E. Std.Flat Washer			
37	8185726	Compression Spring			
38	8102278	Cotter Pin			
39	8111148	Clevis Pin			
40	8181740	1/2-13 x 1-3/4" SHCS Screw			

†Cylinder Assemblies (see page 14)





 APPLY GREASE TO THESE LOCATIONS



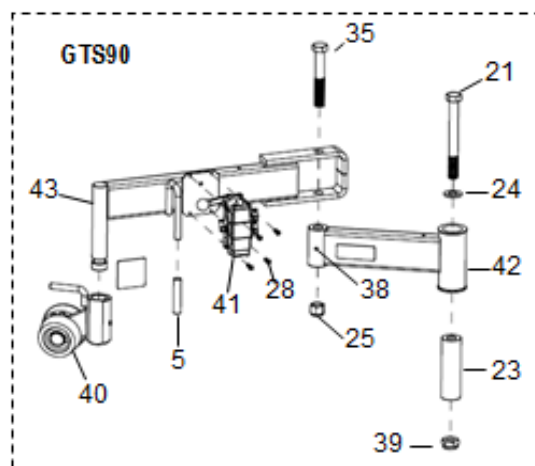
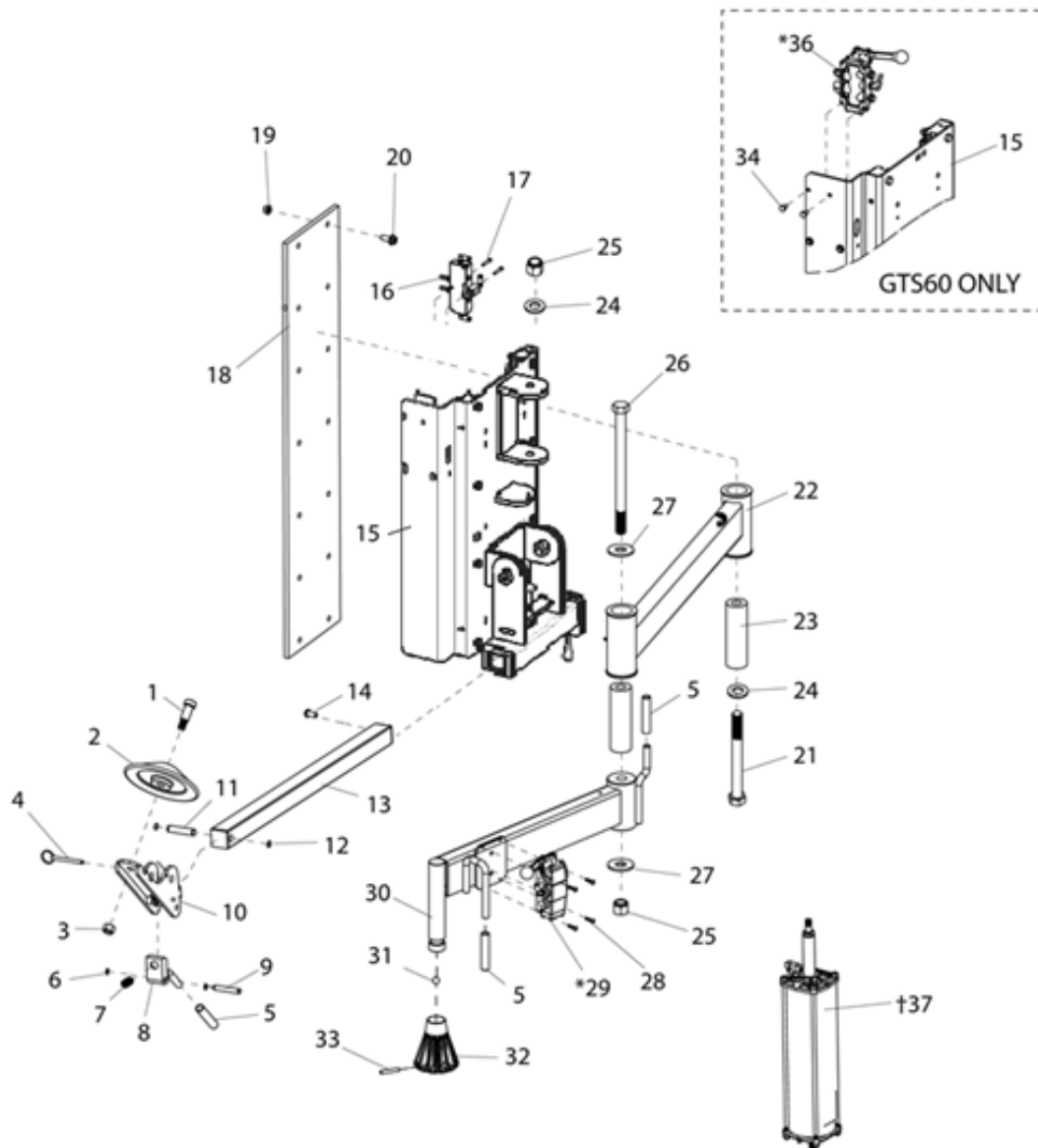
53 Pressure Limiter Assembly

## Auxillary Tower Assembly

Item No	Part No.	Description	Item No	Part No.	Description
1	85606546	Safety Valve	38	8184226	1/4-28 Grease Fitting
2	85606285	Bead Roller	39	8100957	Nut Nylock .75-10
3	8301122	0.500-13 NYLK Hex Nut	40	8185598	Aux Roller Assembly
4	85609892	1/4 Dia. Hitch Pin	41	85609907	Helper Arm Valve Assembly
5	7000230	1/2 x 3 Handle Grip	42	85610444	Back Arm, 5RLL
6	905613	3/8 Dia. Ext. Retaining Ring	43	85610448	Front Bead Roller Arm-Weldment
7	929195	Compression Spring	44	85609890	Plunger Knob, 5/8-11
8	85609837	Horizontal Slide Roller Lock Assy			
9	85609840	Pivot Lock Bar			
10	85609838	Horizontal Slide Bracket			
11	85609839	Pivot Roller Bar			
12	903320	Retainer Ring			
13	85609836	Horizontal Slide Shaft			
14	8183055	3/8-16 x 0.750 SBHCS Screw			
15	85610479	Auxillary Tower Slide			
16	85610045	Pilot Valve Assembly			
17	8114351	#8-32 x 1-1/8 SHC Screw			
18	8184868	Vertical Slide Plate			
19	8106303	Whiz Lock Nut, Gr.5			
20	8106302	3/8-16 x 7/8 HHCS Screw			
21	85610016	3/4-10X7, HHCS Screw , GR5			
22	81849161	Rear Arm Assembly			
23	8181038	Swing Arm Pivot Pin			
24	8182457	3/4" Washer			
25	8182016	3/4"-10 Nylon Insert Lock Nut, Gr.5			
26	85610016	3/4-10 x 7" HHCS, Screw Gr5			
27	8100994	3/4 Flat Washer			
28	8181983	10-24 x 5/8 BHSCS, Gr.8			
*29	85609907	Helper Arm Valve Assembly			
30	85609835	Auxillary Arm			
31	8301017	ø1/2" Steel Ball			
32	85607622	Robo Foot			
33	905563	Roll Pin			
34	902189	1/4-20 x.504 HHCS			
35	8182579	HHCS Screw			
*36	85610100	Valve Assembly			
†37	8184889	Cylinder Assembly			

†Cylinder Assemblies (see page 14)

**\*Valve Assemblies (available only as individual components, see page 15)**

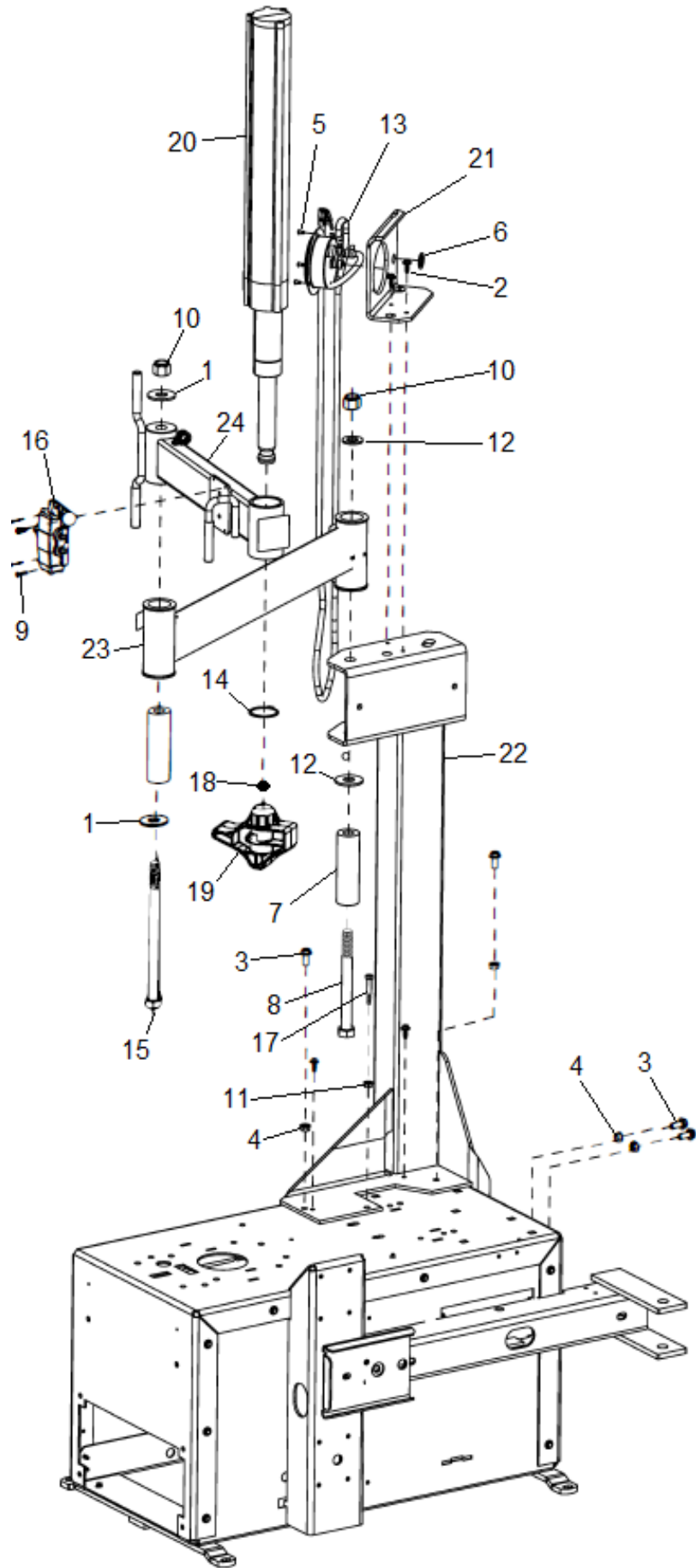


## **Robo-Arm Tower (GTS90 ONLY)**

<b>Item No</b>	<b>Part No.</b>	<b>Description</b>
1	8100994	Flat Washer
2	8106301	1/4-20 X .75, Screw
3	8106302	3/8-16 X 7/8, HSWF Screw
4	8106303	Nut - 3/8 - 16 UNC
5	8107983	Plastic Fastener
6	8108280	Washer - .755 x 1.125
7	8181038	Pivot Pin
8	8181172	3/4-10x7-1/2, Screw GR5.
9	8181983	10-24 X .75, BHSCS, Screw
10	8182016	3/4-10 UNC, Lock Nut Whiz
11	8182178	Lock Nut
12	8182457	.812 ID X 1 1/2 OD Washer
13	8182596	Air Gage Assy Manifold
14	8183637	Retaining Ring
15	8183703	3/4-10X10-1/2, HHCS - Screw
16	8185757	Helper Arm Valve Assembly
17	8190191	5/16-18NC-2A HHCS, Screw
18	8301017	.500 Steel Ball
19	85009167	Robo Foot
20	85608884	2.5" RC, Cylinder Assembly
21	85610440	TP Pivot Bracket
22	85610445	Tower Assembly -LT
23	81849042	Rear Arm Weldment - Red
24	8560761803	Front Weldment - Red

---

## Robo-Arm Tower (GTS90 ONLY)

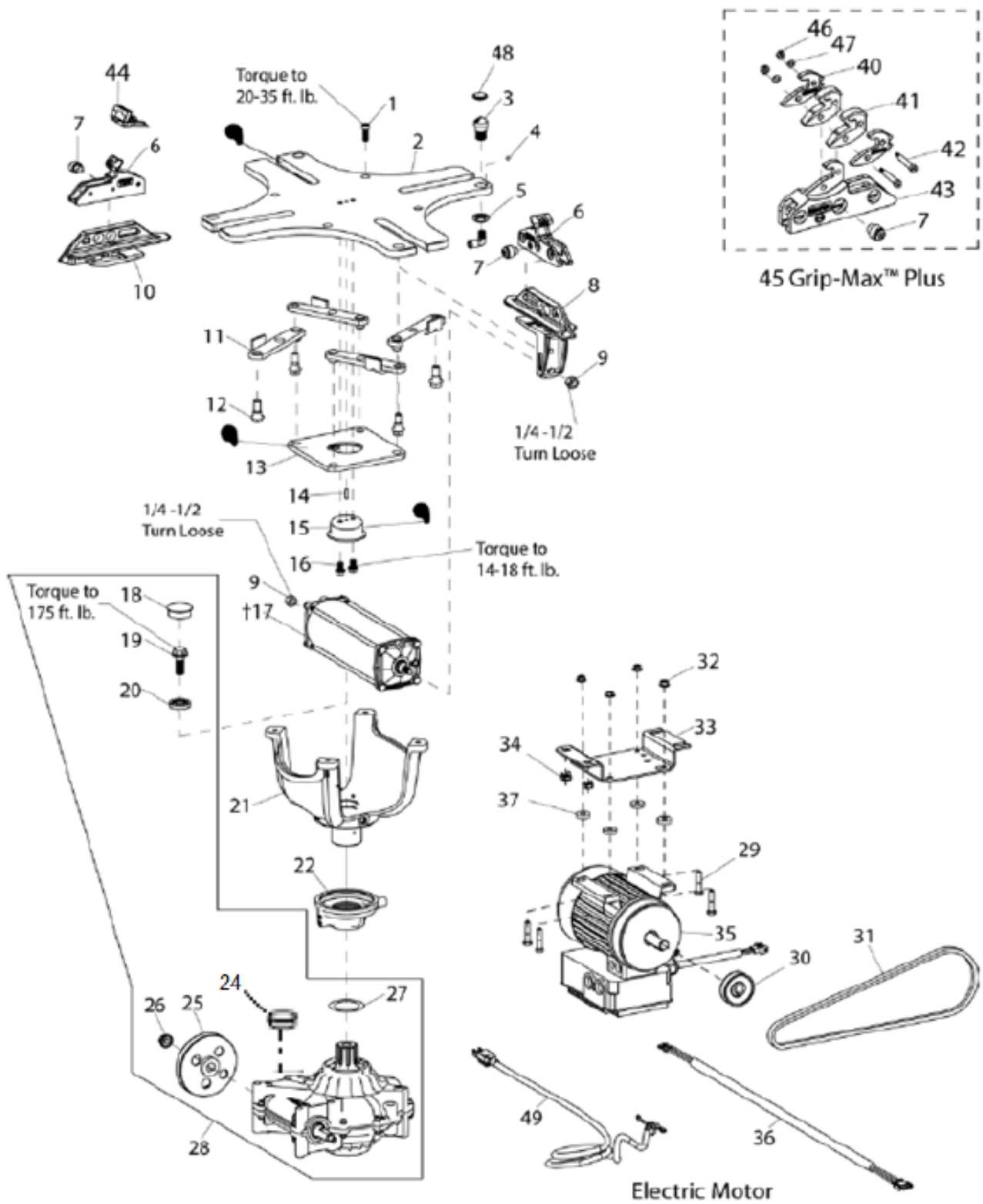


## Table Top and Shaft Housing Assembly

Item	Part No.	Description	Item	Part No.	Description
1	8181929	3/8-16 x 1", Gr.8 Skt. Hd. Cap Scr.	31	85608496	Motor V-Belt, 4L390
2	8181704	Table Top Plate	32	85607346	M8 Whiz Lock Hex Nut
3	8182024	Inflation Nozzle	33	85609921	Motor Mounting Bracket
4	8182025	1/4" Steel Ball	34	8143044	Tinnerman Sq. Captive Nut 3/8-16
5	8182083	3/4" Jam Nut	35	85609751	Motor, Electric 115V, 60Hz, 2-speed
6	8184126EX	Adjustable Rim Clamp		85610405	Motor, Electric 220V, 50/60Hz, 1 Phase, 2-speed
7	8182250	Adj. Clamp Plunger/Spring Assy.	36	85610389	Motor Cable Assy, CSA, 2-speed, 115V
8	8182248	Carrier/Cover - Cylinder End		85610438	Motor Cable Assy, 2-speed, 220V
9	8101039	1/2" Lock Nut, Gr.5	37	8120369	1/4 x 3/8 x 1" Rubber Washer
10	8182249	Carrier/Cover - Clamp Adj.	40	85607160	3-position Laminated Clamp Cover Plus Points
11	8181734	Pivot Link W/C		85607429	3-position Laminated Clamp Cover Plus w/o Points
12	8182279	Adj. Clamp Link Bolt	41	85607161	Laminated Clamp Plus Grip
13	8181731	Table Top Pivot Plate	42	85000610	1/4 x 1-1/4 x #10-24 Shoulder Screw
14	8183476	ø1/4" x 3/4" Roll Pin	43	85607159	3-position Laminated Clamp Plus
15	8181733	Pivot Block	**44	8183604	Bootie Kit, Rim Clamp, Pkg of 10
16	8183452	5/16-18 x 5/8" Flange Whiz-lock Scr.	**45	85607787	Grip Max Plus™, Laminated Clamps, Pkg. of 4
†17	8182613	Table Top Cylinder Assembly		85607786	Grip Max Plus™, Laminated Clamps (External Clamp Only), Pkg. of 4
18	8182627	1-5/8" Dia. Cap Plug	46	8182682	#10-24 Rvsble Hex Lk Nut
19	8181742	16MM x 40mm Hex Head Bolt Gr.10.9	47	8301805	#10 Washer
20	8182979	ø16mm Molded Washer	48	85609097	Hole Plug (Table w/o Inflation Jets)
21	8181990	Spider Assembly	49	85610349	Power Card, 115V
22	8182619	Rotary Coupling Assembly		85610321	Power Card, 220V
24	85610108	Transmission Hole Plug			
25	85607708	Transmission Pulley (4-hole)			
26	8140567	1/2-13, Hex. Whiz-lock Nut			
27	8183156	ø2" X ø2 3/4" x .010 Washer			
28	85608497	Transmission Kit			
29	85609311	M8 x 1.25 x 40mm HHCS Bolt			
30	85609750	Motor Pulley			

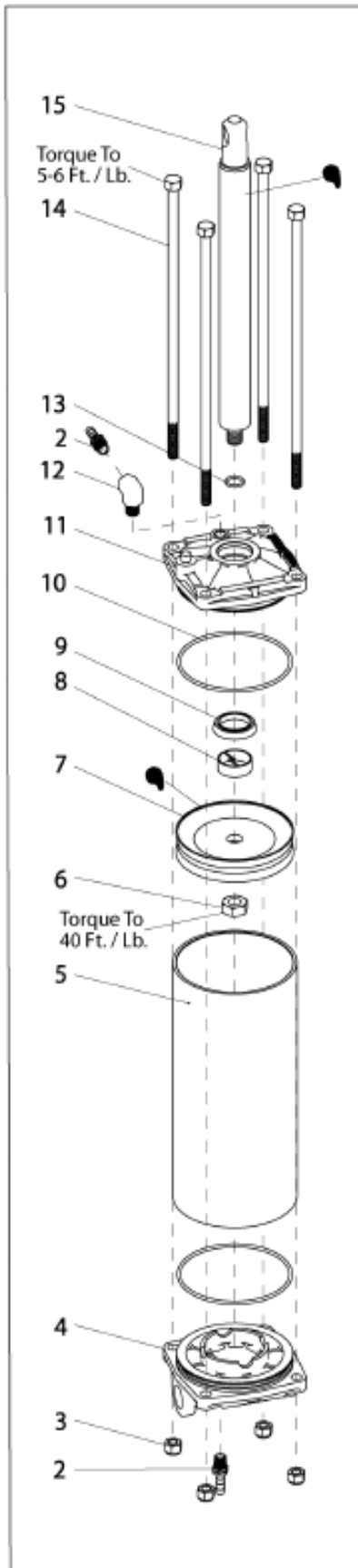
†Cylinder Assemblies (see page 14)

\*\*Accessory Item

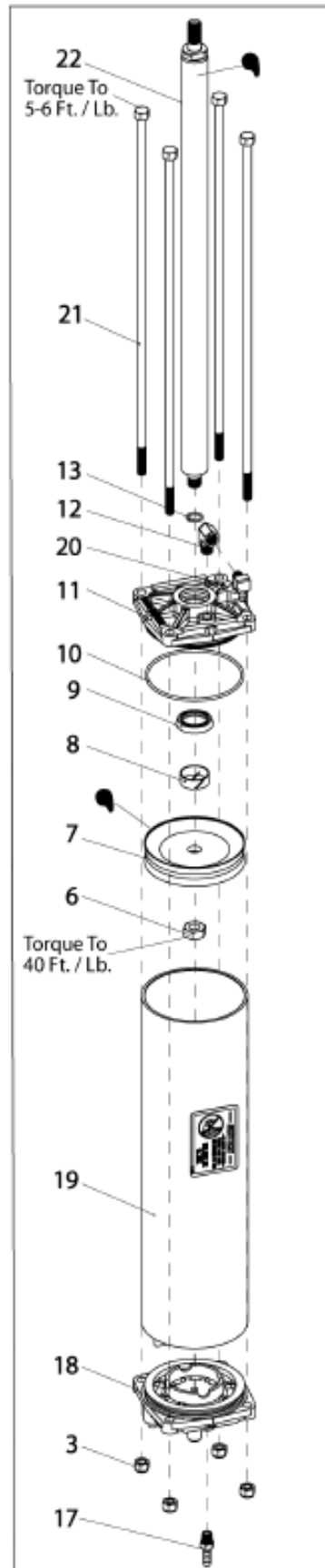


● APPLY GREASE TO THESE LOCATIONS

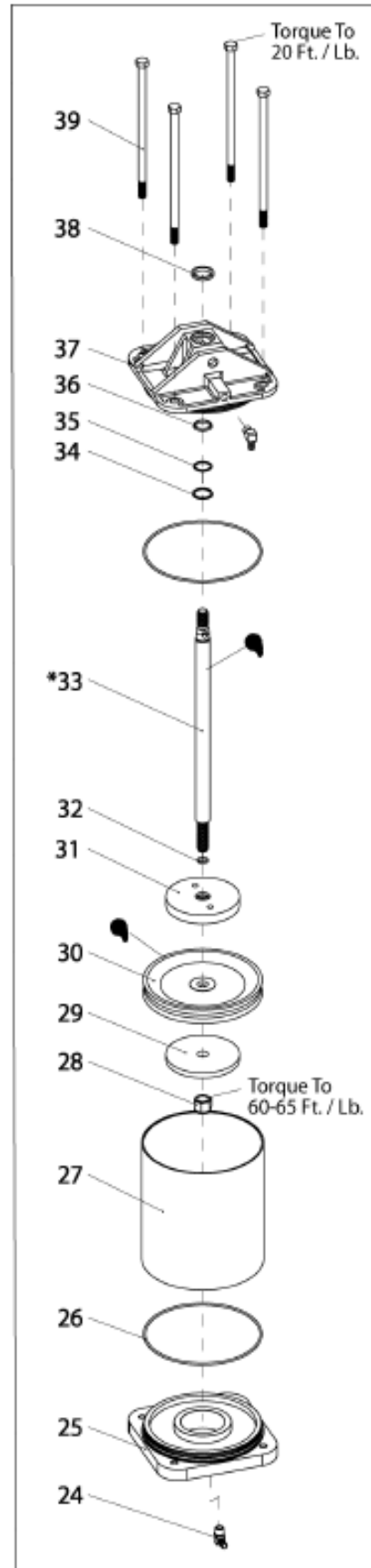
# Cylinder Assemblies



1 - Tilt Tower & Lift  
Cylinder Assembly

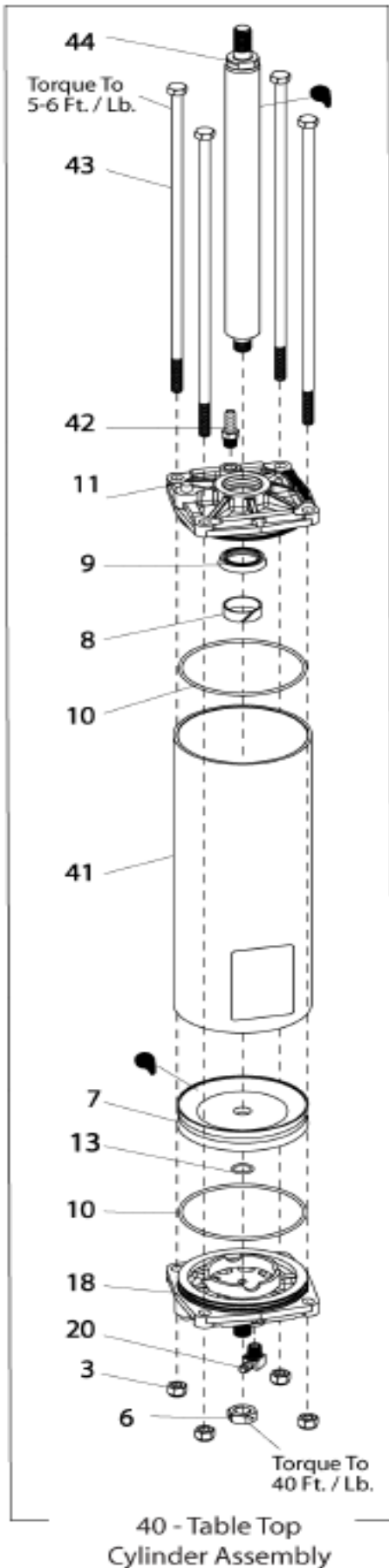


16 - Horizontal Slide  
Cylinder Assembly



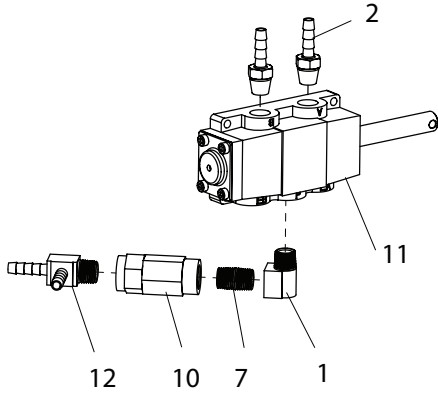
\*23 - Bead Loosener Arm  
Cylinder Assembly



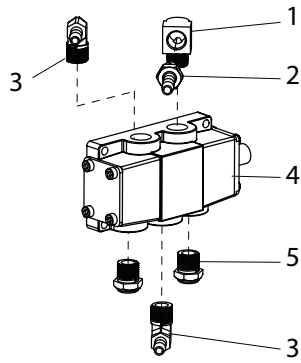


Item	Part No.	Description
1	8184814	Tilt Tower Cylinder Assembly
2	8183369	1/4" Hose Fitting, 1/8" NPT w/Orifice
3	8181183	5/16-18 Nylon Insert Lock Nut Gr.5
4	8181636	Cylinder Base Cap
5	8184803	Cylinder Sleeve
6	8182719	1/2-13 Locking Jam Nut, Gr.5
7	8184525	Piston Washer Assembly
8	8181632	Nylinder Sleeve Bearing
9	8183786	Cylinder Rod Seal
10	8181631	O-ring Seal
11	8181620	Cylinder Top Cap
12	85000332	90° ELL, 1/8-27 NPT Fitting
13	8183772	0.062 x 0.500 x 0.625 O-ring Seal
14	8184815	Cylinder Tie Bolt
15	8184804	Cylinder Shaft
16	8184889	Horizontal Slide Cylinder Assembly
17	8104844	St Fitting 1/8 NPT x 1/4 Hose
18	8181622	Cylinder Bottom Cap
19	8184891	Cylinder Sleeve
20	8110497	Male Elbow 1/8 NPT x 1/4 Hose
21	8184890	Clamping Tie Bolt
22	8184892	Axlry Cylinder Shaft
23	81833122	B.L. Arm Cylinder Assembly (Pivot Pin Style)
	81833126	B.L. Arm Cylinder Assembly (Rod End Style)
24	8000376	ELL 90° 1/4 Hose Fitting
25	8183310	B.L. Cylinder Bottom Cap
26	8183306	O-Ring Seal
27	8181574	B.L. Cylinder Barrel
28	8182016	3/4"-10 Nylon Insert Lock Nut, Gr.5
29	8181860	B.L. Cylinder Lower Washer
30	8181571	B.L. Cylinder Piston
31	8181863	B.L. Cylinder Upper Washer
32	906766	O-ring Seal
33	81833111	B.L. Cylinder Shaft (Pivot Pin Style)
	8560856801	B.L. Cylinder Shaft (Rod End Style)
34	8183307	Internal Retaining Ring
35	8183308	1.030 x 1.240 Plain Washer
36	8106835	Rod Seal
37	85609719	B.L. Cylinder Top Cap
38	8106657	Wiper Seal
39	8181862	10-24 Nylon Insert Lock Nut Gr.5
40	8182613	Table Top Cylinder Assembly
41	8181627	Sleeve, Cylinder
42	8184503	1/4" Hose Fitting
43	8181633	Tie Bolt, Tabletop Cylinder
44	8181629	Shaft, Tabletop Cyl.

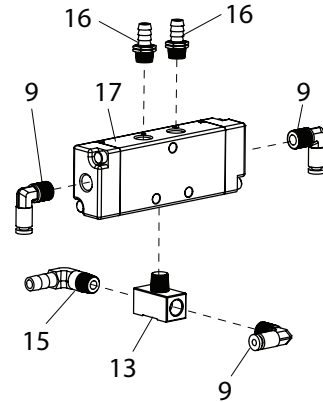
# Valve Assemblies



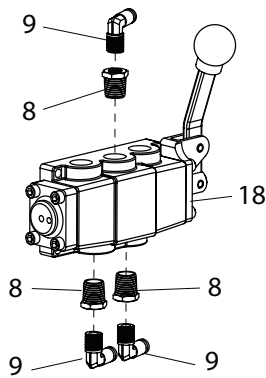
**Table Top Clamp Pedal Valve Assembly**



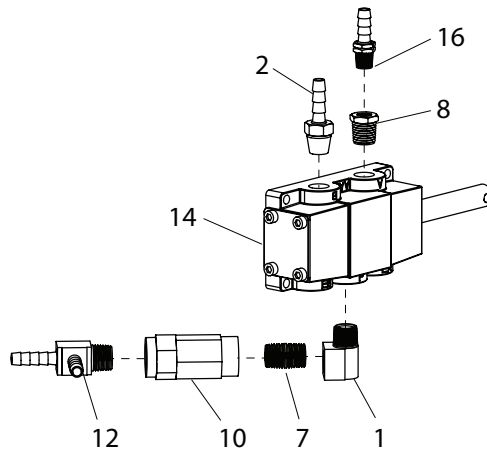
**Bead Loosener Arm Valve Assembly**



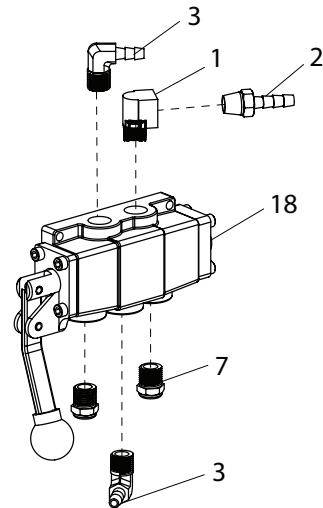
**Pilot Valve Assembly**



**Helper Arm Valve Assembly**



**Tilt Pedal Valve Assembly**

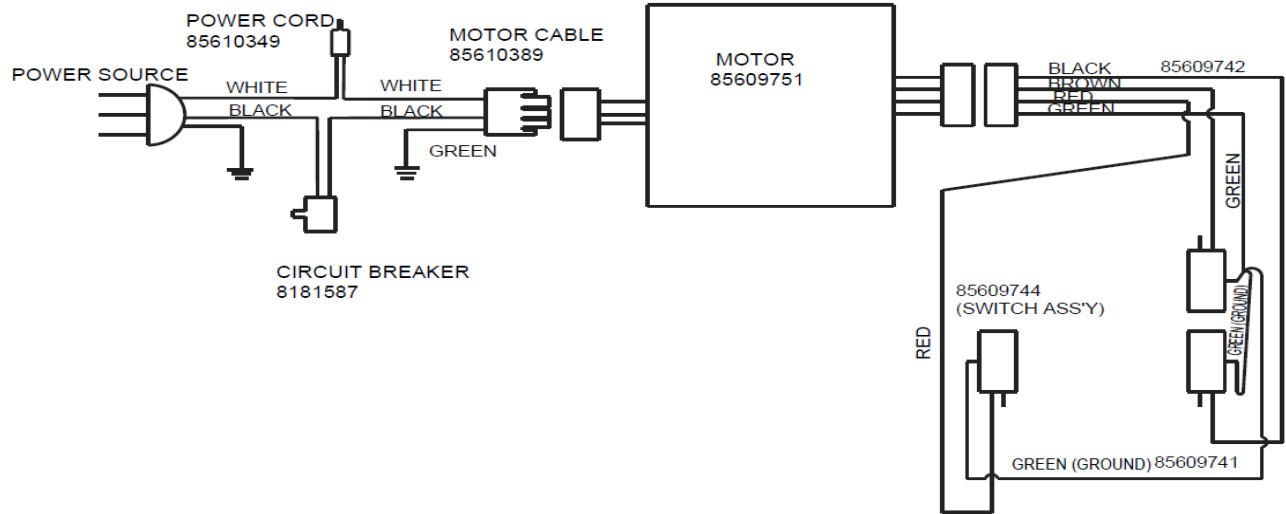


**Auxiliary Tower Valve Assembly**

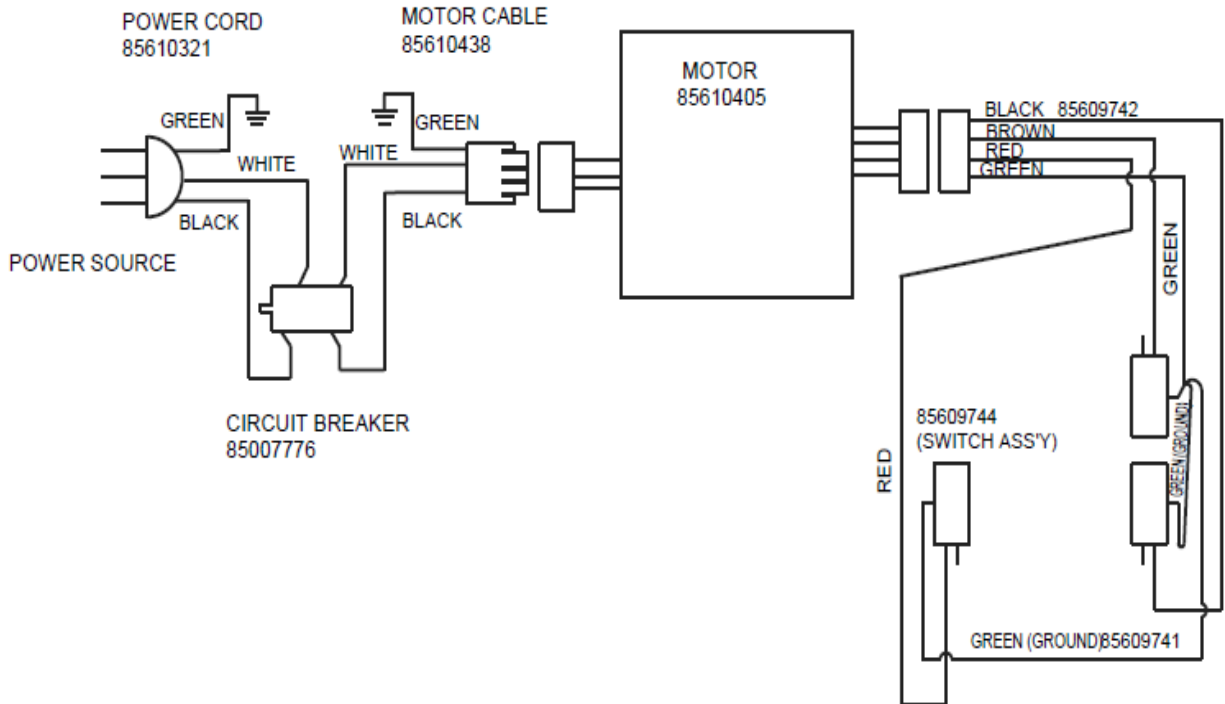
Item	Part No.	Description	Item	Part No.	Description
1	8000372	1/4 NPT, 90° St. ELL Fitting	11	8184369	4-Way w/Pull Pin Valve
2	8000378	1/4" Brass St. Fitting	12	8110325	1/4" NPT Male Run Tee
3	8000376	ELL 90° 1/4 Hose Fitting	13	8110328	1/8" NPT Tee
4	8184878	4-way Valve, Pedal Operated	14	8181986	4-Way w/Pull Pin Valve
5	85607855	1/4 NPT Muffer, Small	15	8110497	Male Elbow 1/8 NPT x 1/4 Hose
6	8105615	Small Muffer	16	8183369	1/4" Hose Fitting, 1/8" NPT w/ Orifice
7	8000580	1/4 NPT Close Nipple	17	85610044	4-Way Pilot Valve
8	8109481	1/4 NPT x 1/8 NPT RDCR Fitting	18	85609908	3 Position Valve
9	8181997	90° Elbow 1/8 NPT x 1/8" Fitting			
10	8104969	Check Valve			

# Electric Schematics

## 115V Motor

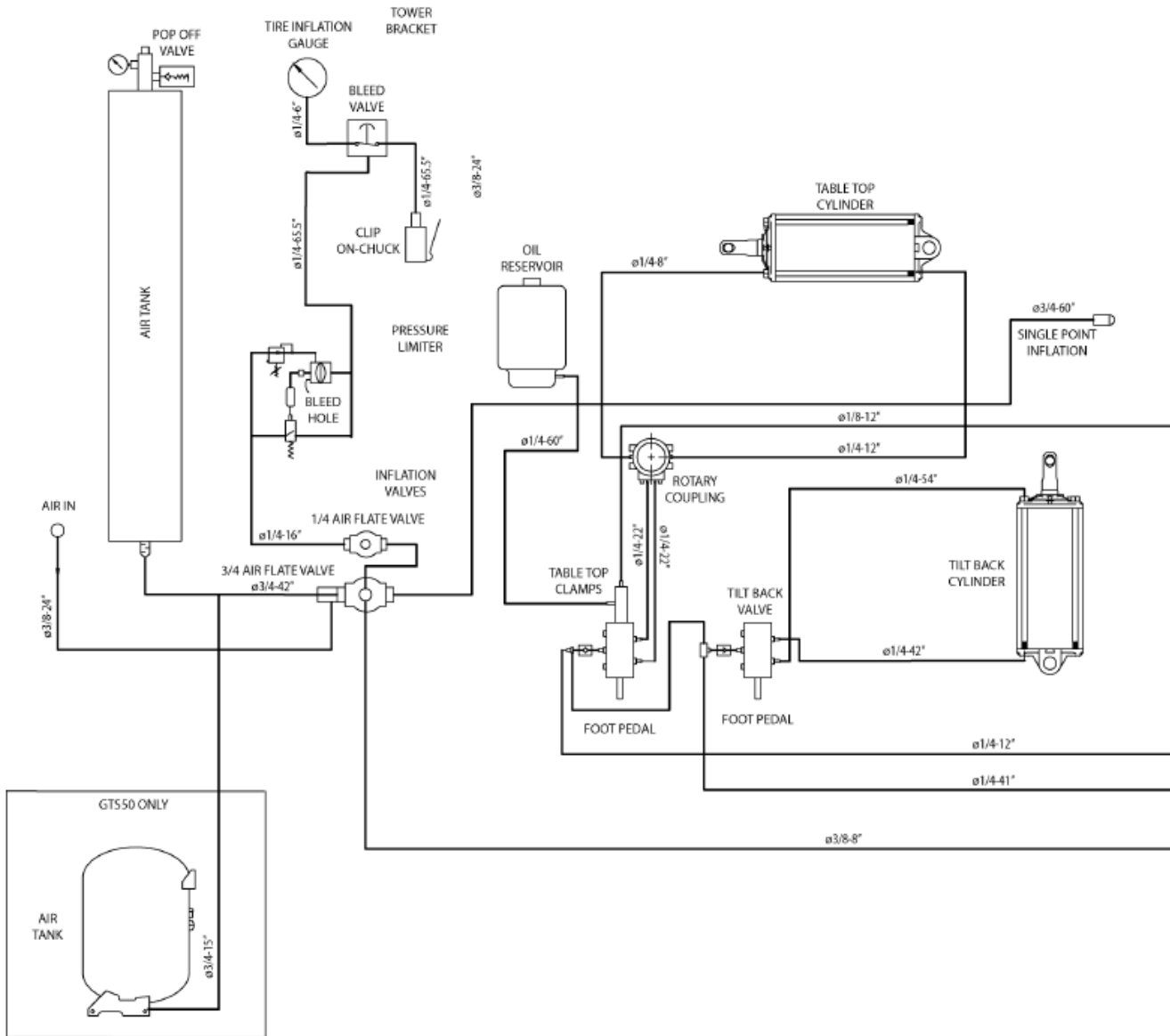


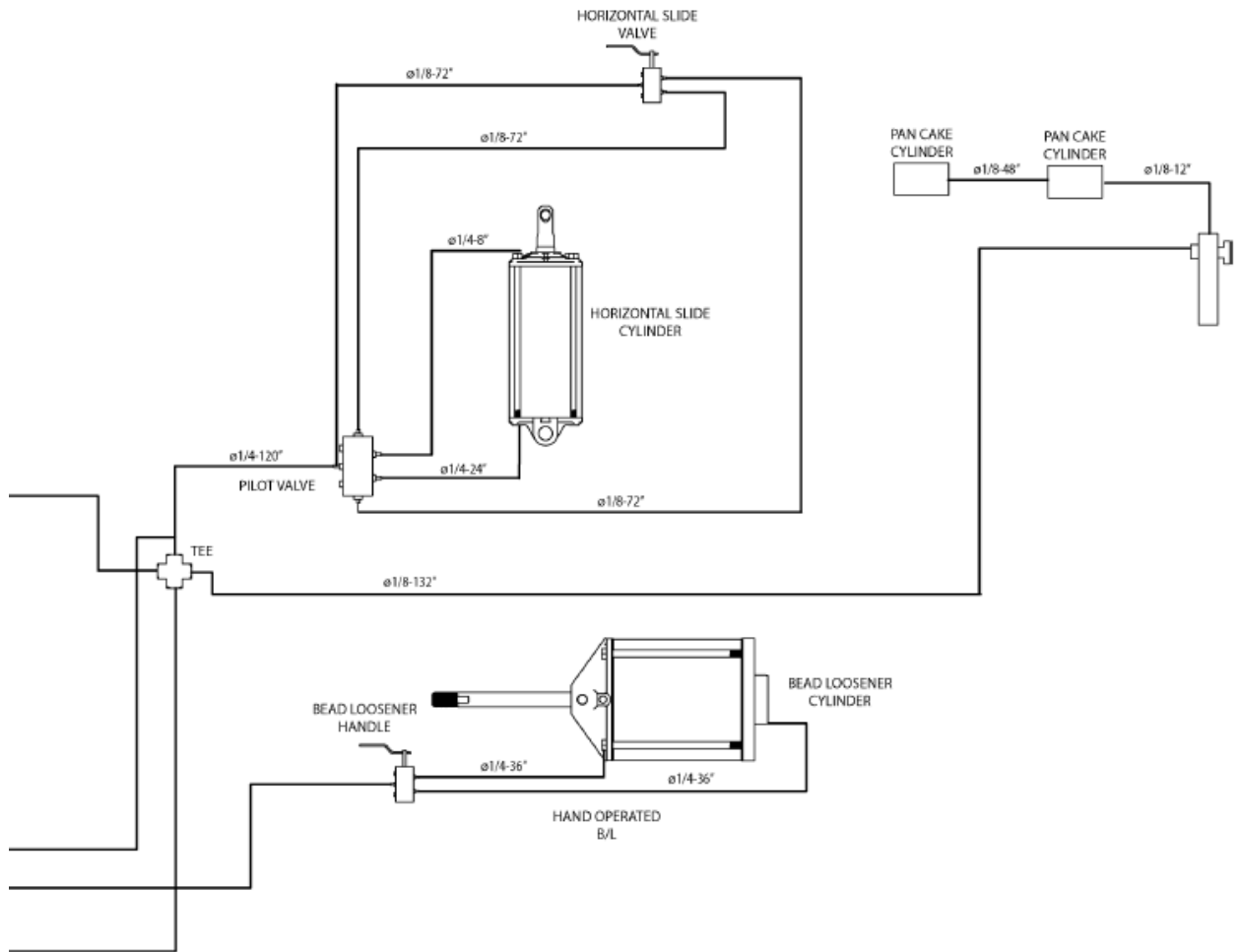
## 220V Motor



# Pneumatic Diagrams

## GTS70

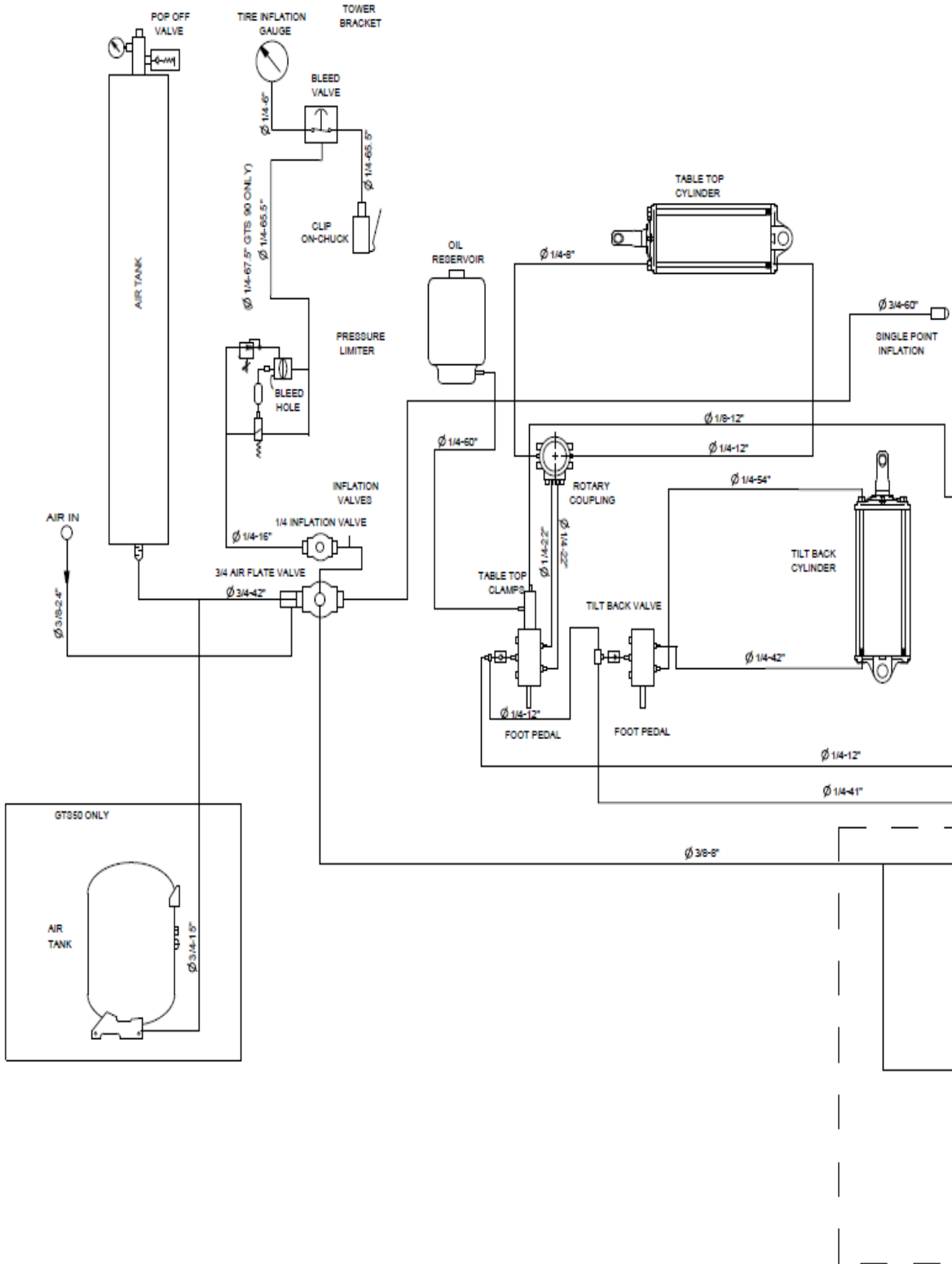




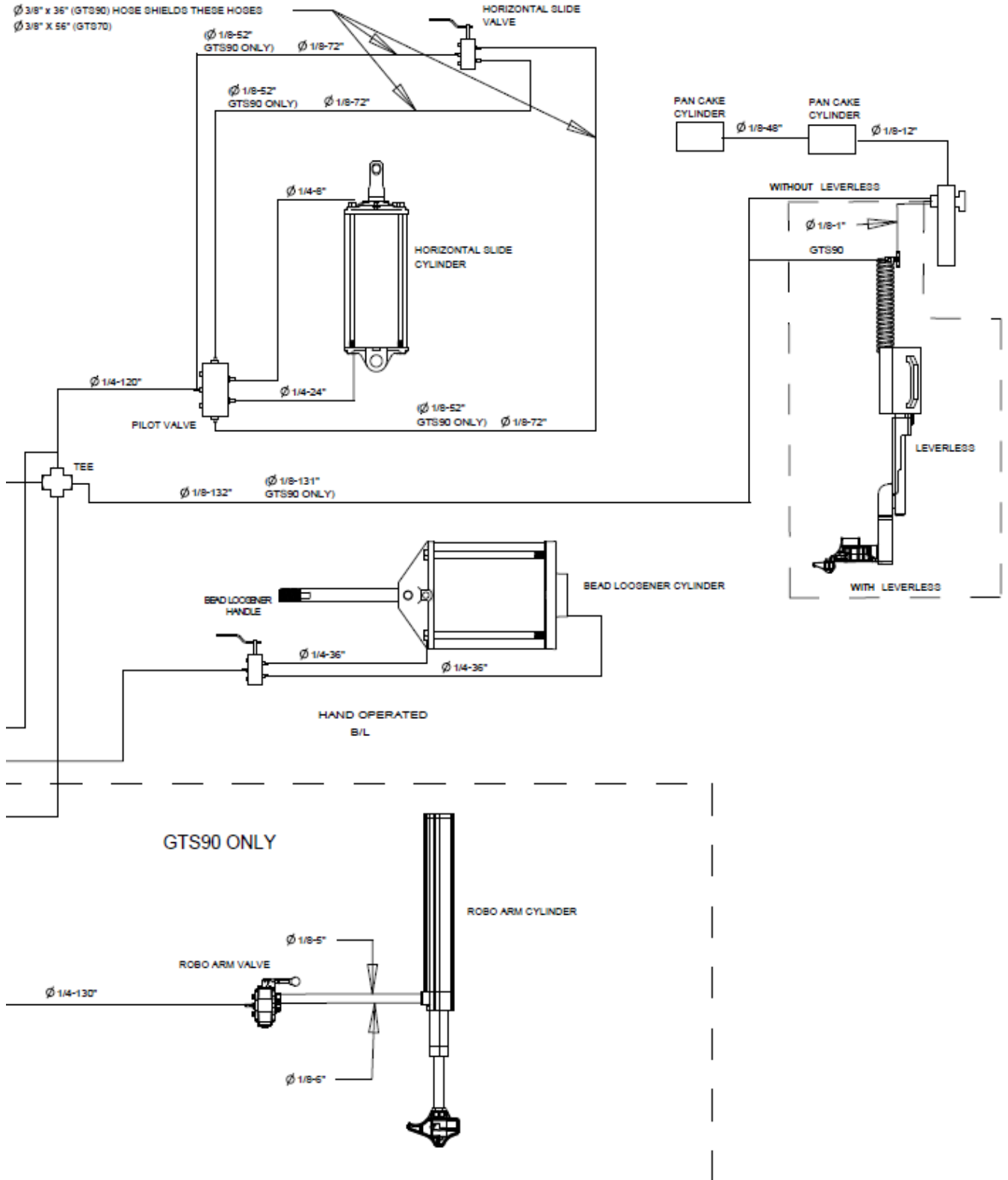
**Note:** All possible tire changer options are displayed. Your tire changer will include the options specified by the model number.

# Pneumatic Diagrams

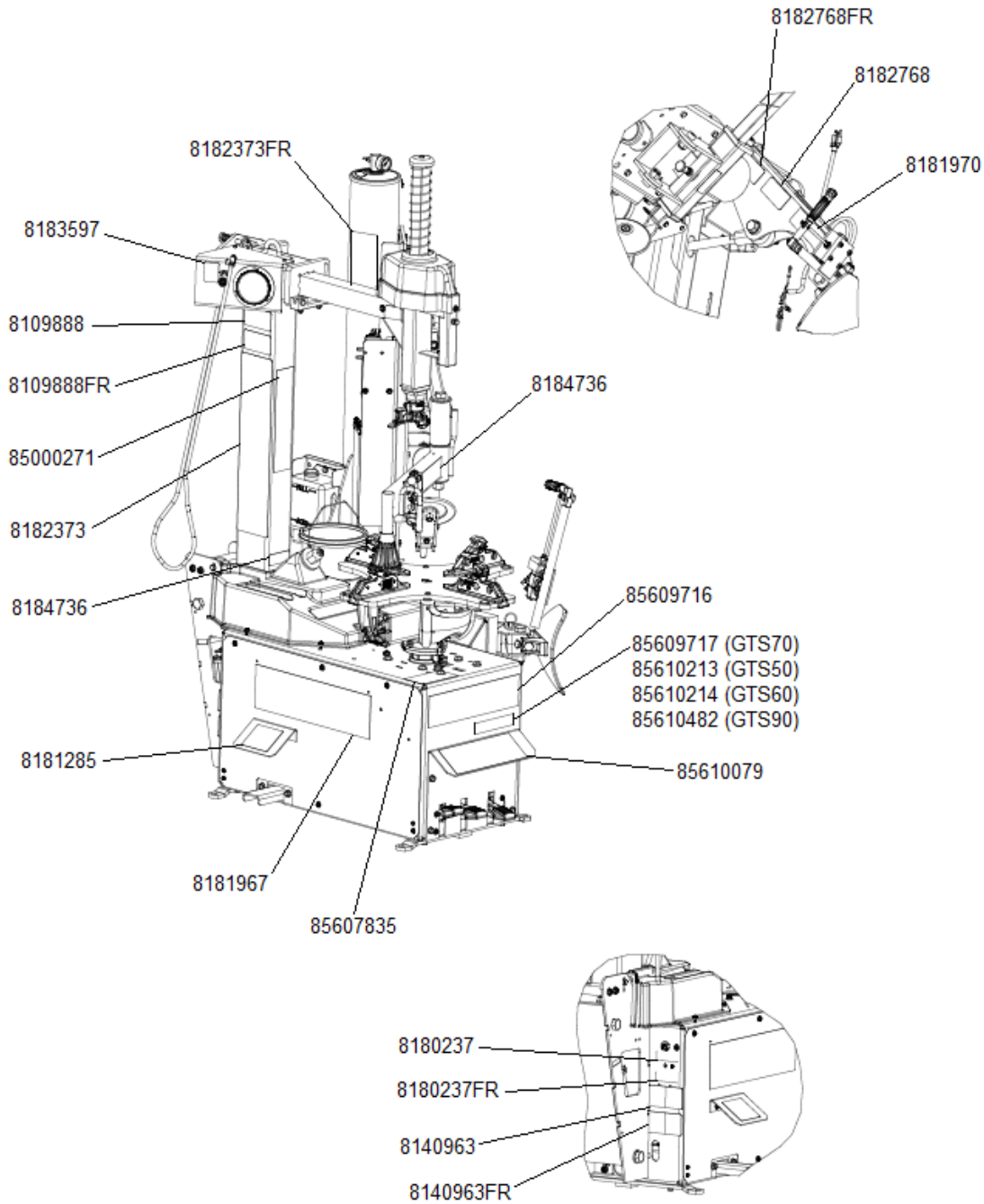
GTS90



$\varnothing$  3/8" x 36" (GTS90) HOSE SHIELDS THESE HOSES  
 $\varnothing$  3/8" X 56" (GTS70)



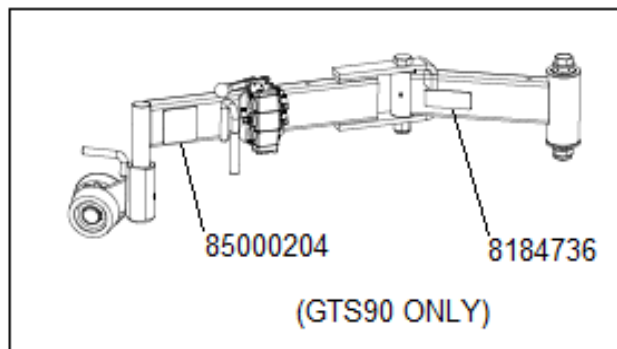
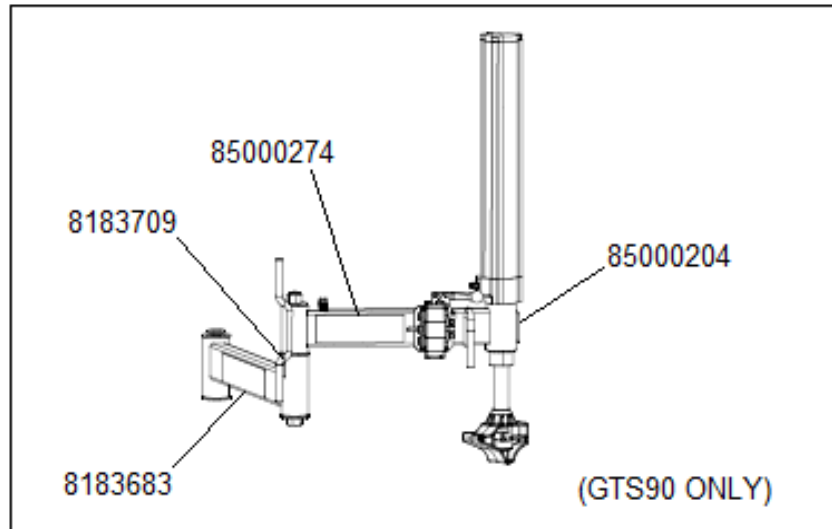
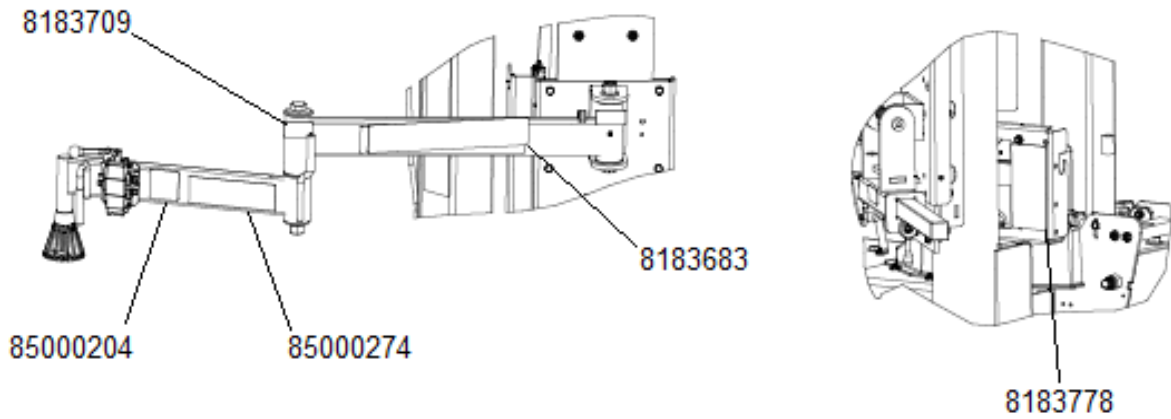
# Decal Locations



Replace any damaged or missing safety decals.  
They are available from COATS, (800) 688-6359.

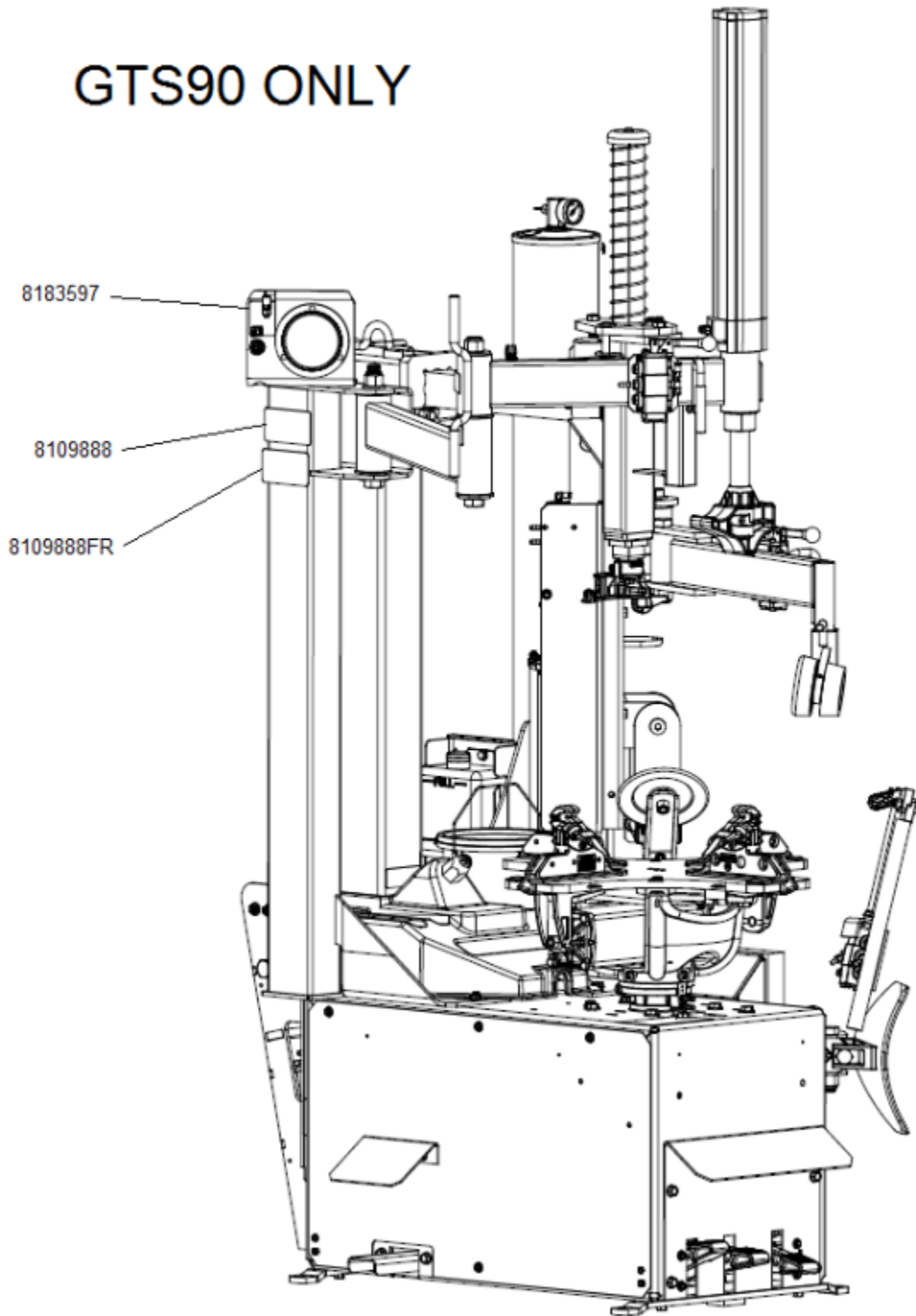


# Decal Locations



# Decal Locations

GTS90 ONLY



## **Notes**

