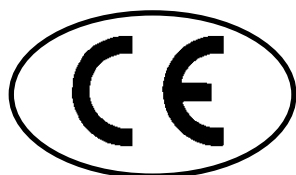
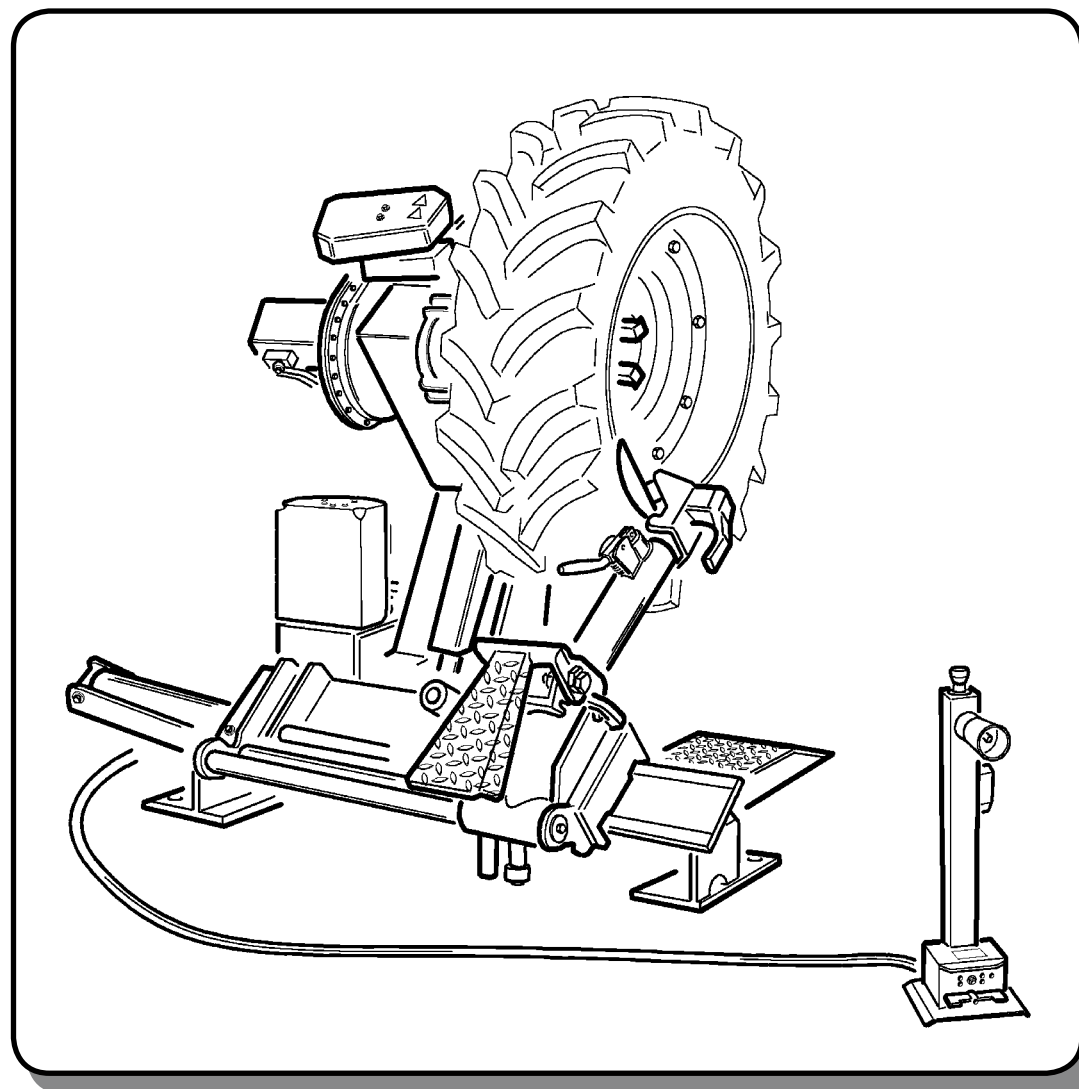


COATS

ORIGINAL SPARE PARTS

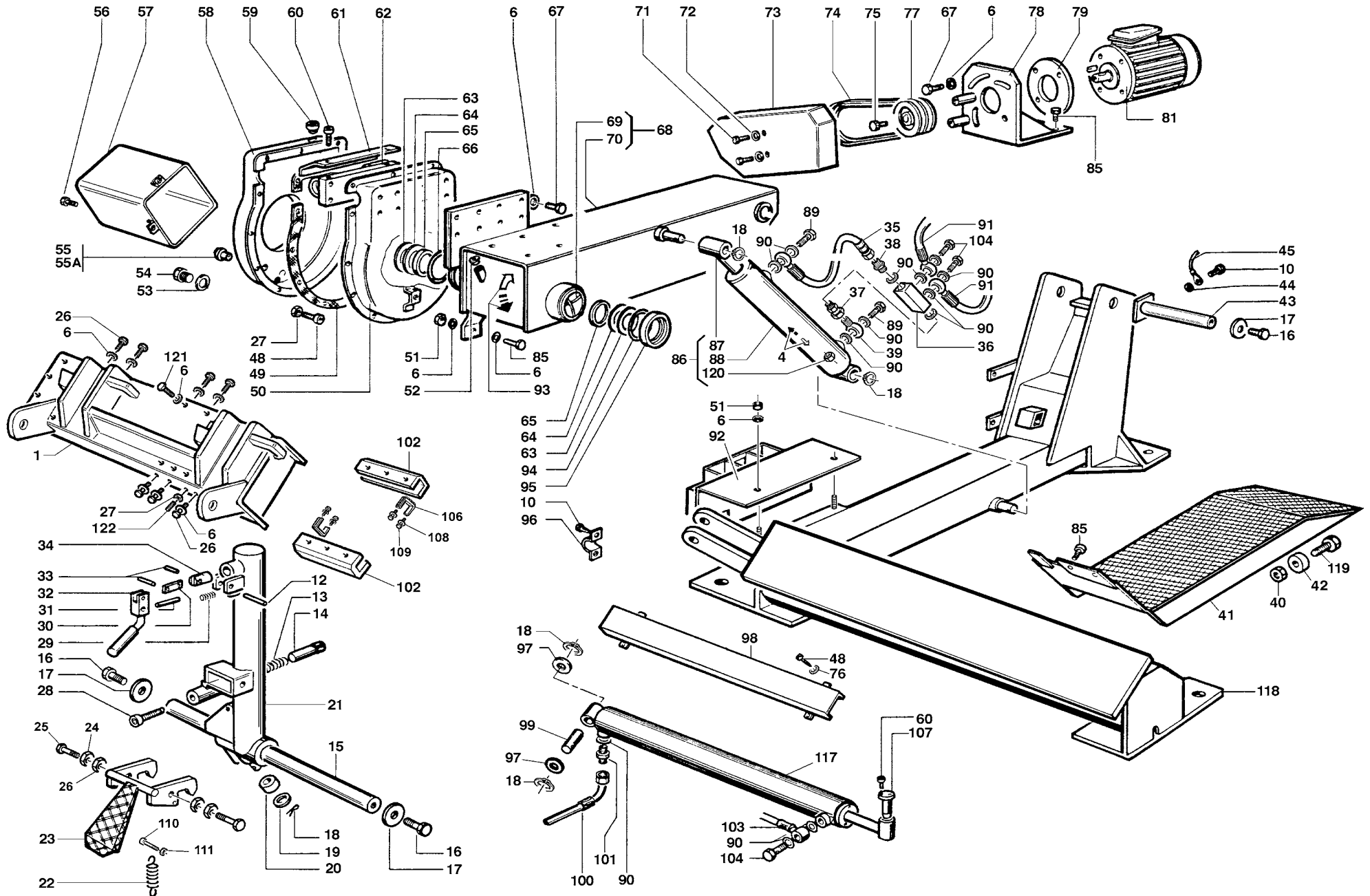
CHD-9041



Revision 07/2008
8501078/00

FRAME

TAV. 1.0



FRAME

TAV. 1.0

Ref	Codart	Description
1	*2116100	SADDLE
4	*3000963	STICKER
5	*4399953	SCREW M10x16 8.8
6	*4399378	WASHER D.10 (10,5x21x2)
7	*6601074	CYLINDER COVER
8	*4299307	SCRAPER
9	*3001062	PLATE
10	*4398273	SELF-TAPPING SCREW 5,5x19
11	*4299252	CARRIAGE TERMINAL UNIT
12	*4399322	SPRING PIN
13	*3001038	SPRING
14	*2000984	EXPELLER
15	*3001004	ARM SHAFT
16	*4399302	SCREW 14x30 8.8
17	*3001067	WASHER
18	*4395720	SEEGER RING D.24
19	*4399813	WASHER 20 (21x37x3)
20	*3001039	ROLLER
21	*6600983	TOOL-HOLDER
22	*3000114	BEAD BREAKER SPRING
23	*2100932	HOOK
24	*3018950	CAM
25	*4397334	SCREW 18x65
26	*4398725	SELF-LOCKING NUT M18
27	*4399967	NUT M10
28	*4399297	SCREW 8x130 8.8
29	*3001040	SPRING
30	*3001028	CONNECTING ROD
31	*4399321	ELASTIC PIN D.10x20
32	*3001030	LEVER
33	*4399323	SPRING PIN
34	*3001029	SLIDING BOLT
35	*3011381	HYDR. HOSE 1/4" L=320
36	*4197238	HYDRAULIC STOP VALVE
37	*4197164	ROTATING UNION M/F 1/4"
38	4199257	NIPPLE MM.1/4" H=7,5 mm.

***= Non Stock Items**
Please, Contact Hennessy for Availability

FRAME

TAV. 1.0

39	*4197297	UNION 1/4" - 1/4" BSP
40	*4399295	NUT M16
41	*6600990	RAMP
42	4299251	ROLLER
43	*2100991	ARM PIN
44	*4399288	TOOTHED WASHER 6,4x11x0,7
45	*2001290	CABLE
48	*4398108	SELF-TAPPING SCREW 6,3x16
49	3001051	GASKET
50	*2100995	COVER
51	*4399192	SPLIT PIN D.4x36
52	*4299066	UNDERCAP D.11,5
53	*4198598	5COPPER WASHER 3/8" 17x23x1,5
54	*4196747	CAP 3/8"
55	*4299255	OIL LEVEL INDICATOR
55A	*4297160	PILOT OIL 3/4" COMPL.
56	*4399298	SCREW M 8x16 8.8
57	*6616557	CYLINDER COVER
58	*2100998	COVER
59	*4199258	OIL PLUG
60	*4399300	SCREW 6x12
61	*3001010	OIL SCREEN
62	*2101009	WORM SCREW SUPPORT
63	*3001056	SPACER 81x105x0,5
64	*3001057	SPACER 81x105x1
65	4299308	GROMMET
66	*4299325	O-RING 98,02x3,53
67	*4399880	SCREW M10x40 8.8
68	*2101101	CHUCK ARM
69	*3001041	BUSHING
70	*2100985	ARM
71	*4399305	SCREW M8x12 8.8
72	*4399829	WASHER 8 (8,4x16x1,5)
73	*3000943	COVER
74	*4294151	ROFLEX BELT
75	*4398827	SCREW 8x12

*** = Non Stock Items**
Please, Contact Hennessy for Availability

FRAME

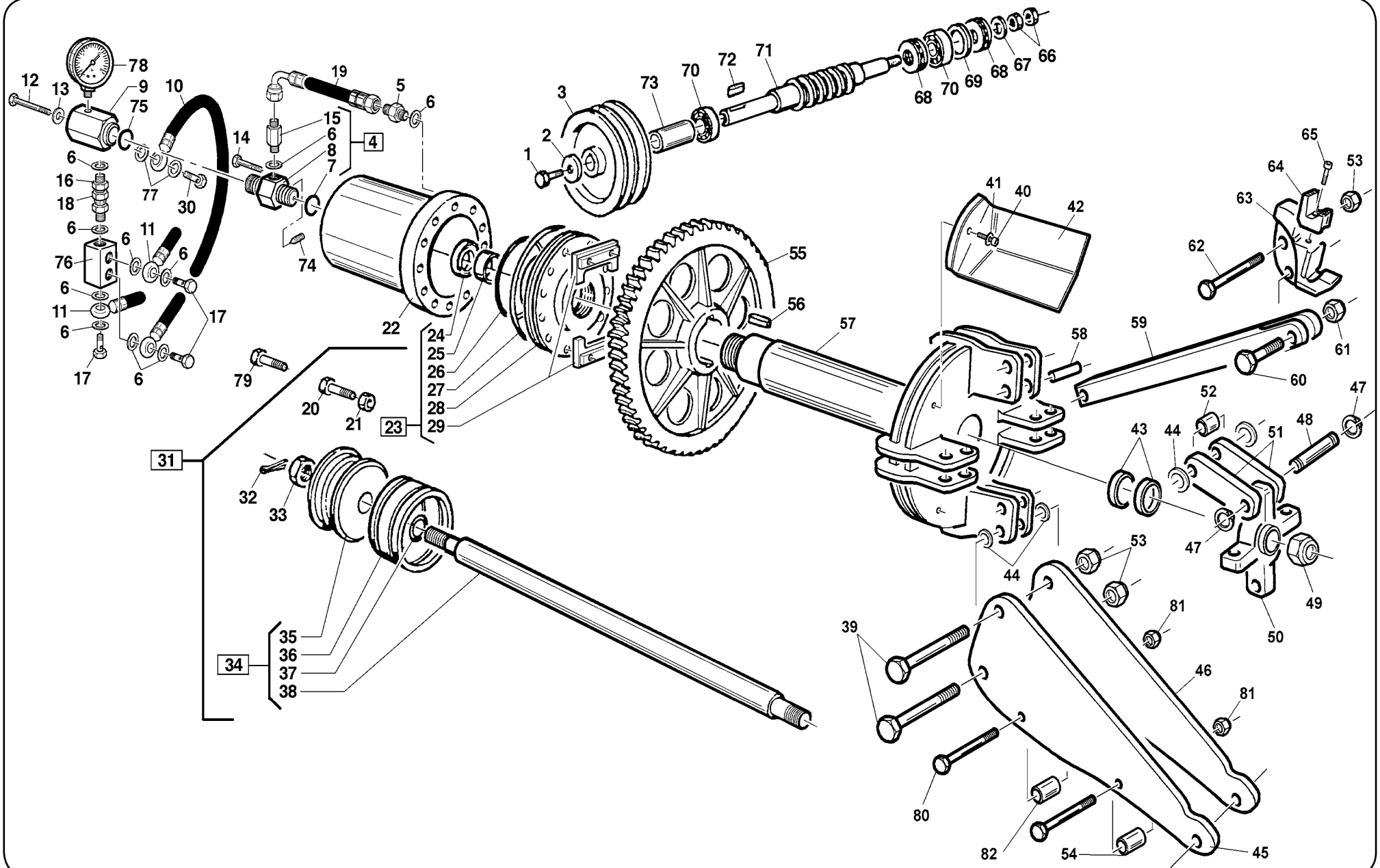
TAV. 1.0

76	*4399998	WASHER 6 (6,4x12x1,6)
77	*3000975	MOTOR PULLEY
78	*6600974	MOTOR SUPPORT
79	*4299330	SPACER
81	*4594304	MOTOR 3PH 208-230V. 60HZ
85	*4399228	SCREW 10x25
86	*6601005	SHORT CYLINDER
87	*3001273	CYLINDER ROD
88	*6601272	CYLINDER LINER
89	*4199250	1/4" UNION NUT
90	*4399256	WASHER 1/4" D.13x19x1,5
91	*3010139	SHORT CYLINDER PIPE
92	*6600935	SUPPORT
93	*3000961	STICKER
94	*3001055	FELT
95	*3001738	RING FOR FELT
96	*3001069	U-BOLT D.19
97	*4399289	WASHER 25x44x4
98	*6600949	CARTER
99	*3001003	PIN
100	*3001072	SHORT HOSE
101	*3004989	NIPPLE MM 1/4" H.18mm.
102	*3018643	CARRIAGE SLIDE
103	*3001065	LONG HOSE
104	*4199249	1/4" UNION NUT
105	*6601278	CYLINDER LINER
106	*3019036	SCRAPER 20x20
107	*2100988	PIN
108	*4399903	WASHER 4 (4,5x12x1,5)
109	*4397671	SELF-TAPPING SCREW 4,2x13
110	*4399228	SCREW 10x25
111	*4399971	SELF-LOCKING NUT M10
117	*6601006	LONG CYLINDER
118	*2100989	FRAME S/551
119	*4399945	VIS M16x100 8.8
120	*4396846	SELF-LOCKING NUT 20X1,5
121	*4399972	SCREW 10x90
122	*4398826	SCREW 10x20

***= Non Stock Items**
Please, Contact Hennessy for Availability

SELF-CENTERING CHUCK

TAV. 2.0



SELF-CENTERING CHUCK

TAV. 2.0

Ref	Code	Description
1	*4399953	SCREW M10x16 8.8
2	*3001068	WASHER D.10,5x40x5
3	*3001052	DRIVEN PULLEY
4	*2001046	PIN
5	*3001372	NIPPLE 1/4" H.12mm.
6	*4399256	WASHER 1/4" D.13x19x1,5
7	4299241	O-RING 23,40x3,53
8	*2001241	PIN
9	*2016554	ROTATING UNION
10	*3009763	HOSE 1/4" L=400 ROTATING UNION.
11	*3010138	CHUCK CYLINDER HOSE
12	*4399305	SCREW M8x12 8.8
13	*4399947	WASHER 8 (9x32x4)
14	*4399299	SCREW 6x30 8.8
15	*3004989	NIPPLE MM 1/4" H.18mm.
16	*4199257	NIPPLE MM.1/4" H=7,5 mm.
17	*4199249	1/4" UNION NUT
18	*4197164	ROTATING UNION M/F 1/4"
19	*3001063	HOSE
20	*4397145	SCREW 10x70 8.8
21	*4399969	NUT M10
22	*2100996	CYLINDER D.140
23	*2001048	CYLINDER FLANGE D.140
24	4299173	GROMMET
25	*4299172	GUIDE RING
26	4299171	O-RING 132,94x3,53
27	4299170	O-RING 183,52x5,34
28	*3008801	CYLINDER GUIDE COVER D.140
29	*2108802	WHEEL LOCKING PLATE
30	*4197232	1/4" UNION NUT
31	2001281	CYLINDER D.140
32	*4399100	SPLIT PIN D.3,2x30
33	*4399294	NUT M27x2
34	*2001045	PISTON

*** = Non Stock Items**
Please, Contact Hennessy for Availability

SELF-CENTERING CHUCK

TAV. 2.0

35	*3001117	PISTON D.140
36	4299313	GROMMET
37	*4299312	O-RING 28,17x3,53
38	*3001001	CHUCK CONTROL SHAFT
39	*3000967	SCREW 18x1,5x103
40	*4398273	SELF-TAPPING SCREW 5,5x19
41	*4399998	WASHER 6 (6,4x12x1,6)
42	*3017581	ABS COVER
43	4299309	SCRAPER RING
44	*4399974	SHIM ADJUSTMENT 20,5x28x0,3
45	*2116314	LEFT CHUCK ARM
46	*2116315	RIGHT CHUCK ARM
47	*4399231	SEEGER RING D.18
48	*3000993	PIN
49	*4399293	NUT M33x2
50	*3001050	TURNTABLE CROSS
51	*3001044	CONNECTING ROD
52	*3000994	SPACER D.20x30x28
53	*4399316	SELF-LOCKING NUT M18x1,5 H=18
54	*3019099	SPACER
55	*3008800	WORM WHEEL
56	*4399218	TAB 20x12x60
57	*2117287	COMPL. CHUCK UNIT
58	*4399315	SPRING PIN
59	*3000992	BAR
60	*3000968	SCREW 12x58
61	*4399865	SELF-LOCKING NUT M12
62	*3000966	SCREW 18x1,5x87
63	*3016555	CLAMP SUPPORT
64	3001043	CLAMP
65	4399956	SCREW 10x25 12.9
66	*4399295	NUT M16
67	*3001114	WASHER D.16,2x38x7
68	*4299284	BEARING
69	*3001115	SPACER

*** = Non Stock Items**
Please, Contact Hennessy for Availability

SELF-CENTERING CHUCK

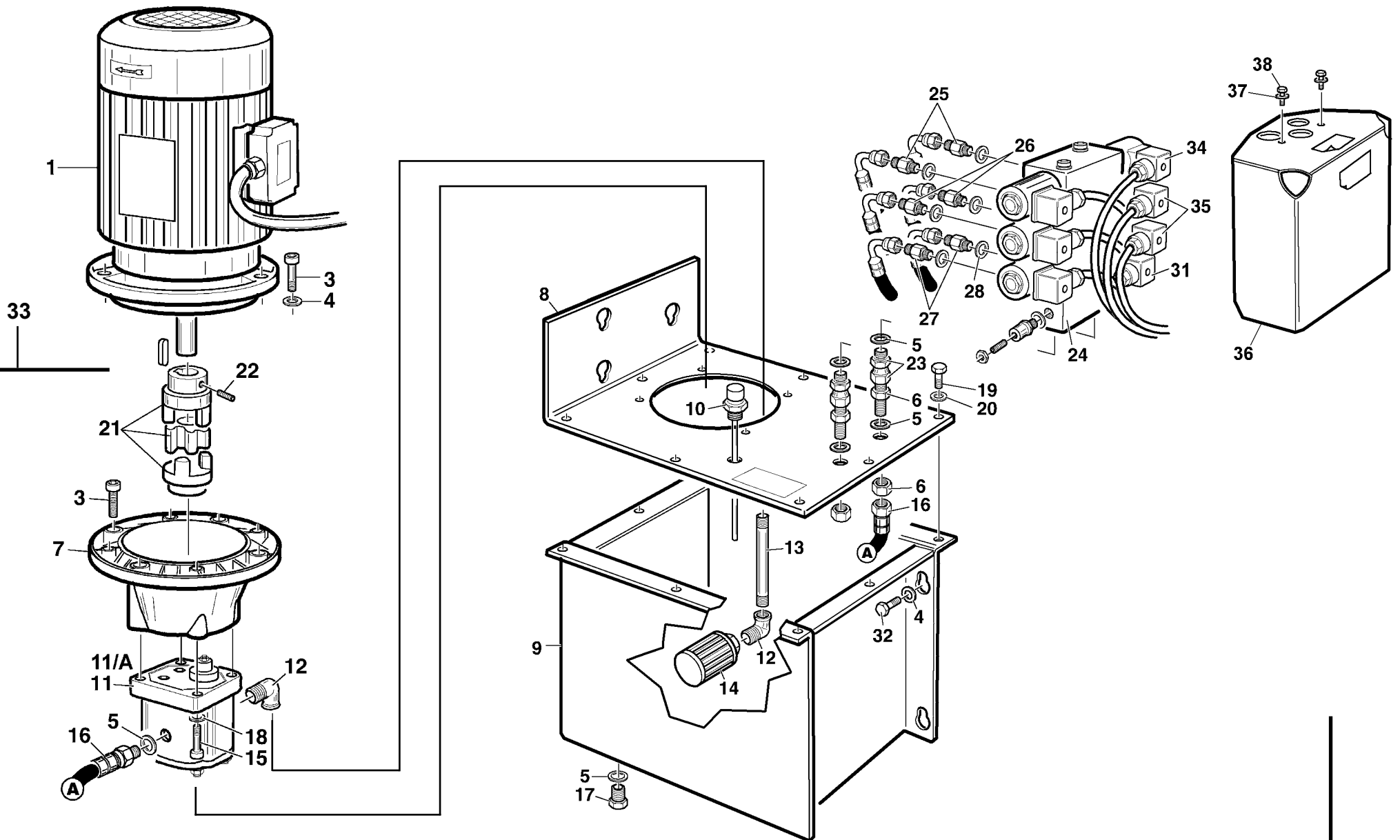
TAV. 2.0

70	*4299285	BEARING
71	*3010861	WORM SCREW M3,5
72	*4399287	TAB 7x8x30
73	*3000999	SPACER D.25,1x35x58
74	*4397046	SCREW M10x10
75	4299167	RING
76	4197238	HYDRAULIC STOP VALVE
77	*4396341	BOND WASHER 1/4"
78	4199146	PRESSURE GAUGE 1/4" 250 BAR
79	*4396424	SCREW M10x60 - 8.8
80	*4395993	SCREW 12x70
81	*4399865	ELF-LOCKING NUT M12 S
82	*3016310	SPACER

*** = Non Stock Items**
Please, Contact Hennessy for Availability

POWER UNIT

TAV. 3.0



POWER UNIT

TAV. 3.0

1	*4594305	MOTOR 3PH 200-240/345-415V 50/60HZ
3	4399956	SCREW 10x25 12.9
4	*4399378	WASHER D.10 (10,5x21x2)
5	*4198598	COPPER WASHER 3/8" 17x23x1,5
6	*4197600	UNION 3/8"
7	*4197872	FLANGE GR.80 D.200 HL5L
8	*6609758	TANK COVER
9	*6609757	TANK
10	*3010652	OIL LEVEL PLUG
11	*4197254	PUMP GR.1 4 LT.
11/A	*4197253	PUMP
12	*4197240	UNION 90° MF 3/8"
13	*4197239	UNION 3/8" F L100
14	*4197241	OIL FILTER
15	*4399299	SCREW 6x30 8.8
16	*3009760	HOSE 3/8" L=370
17	*4196747	CAP 3/8"
18	*4399998	WASHER 6 (6,4x12x1,6)
19	*4399305	SCREW M8x12 8.8
20	*4399829	WASHER 8 (8,4x16x1,5)
21	*4197873	FLEXIBLE COUPLING
22	*4399121	SCREW 6x6
23	*4197621	O-RING 45° FF 3/8"
24	2012881	MULTIPLE BASE + SOLENOID VALVE
25	*3004989	NIPPLE MM 1/4" H.18mm.
26	*3001372	NIPPLE 1/4" H.12mm.
27	*4199257	NIPPLE MM.1/4" H=7,5 mm.
28	*4399256	WASHER 1/4" D.13x19x1,5
31	4197106	RELIEF SIMPLE SOLENOID VALVE
32	*4399953	SCREW M10x16 8.8
33	*2009727	HYDRAULIC UNIT

***= Non Stock Items**
Please, Contact Hennessy for Availability

POWER UNIT

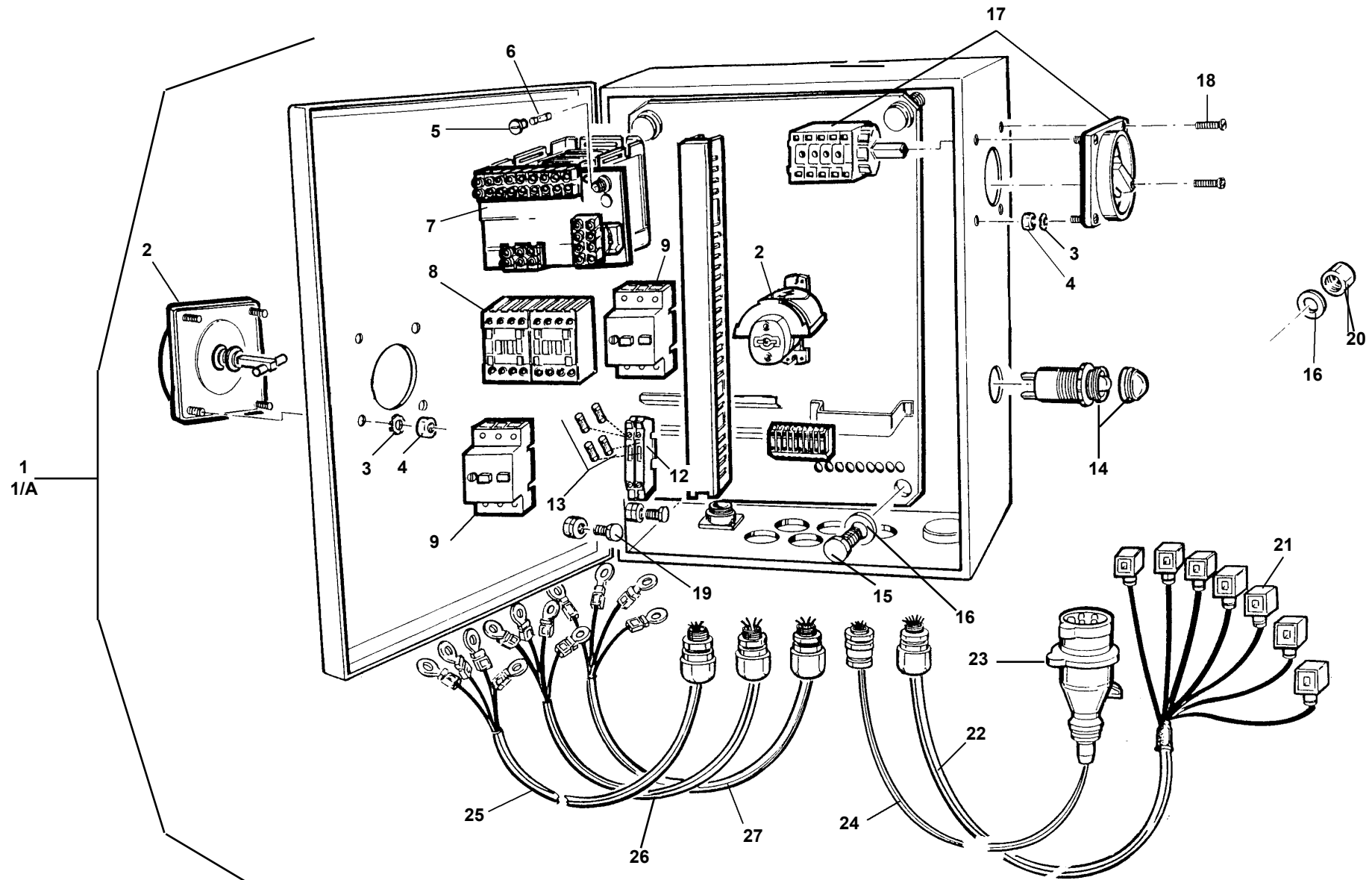
TAV. 3.0

34	*4197108	CHUCK CONTROL DOUB.SOLEN.VALVE
34A	*4196317	SOLENOID VALVE
35	*4197107	CYLIND.CONTROL DOUB.SOL.VALVE
35A	4196318	SOLENOID VALVE
36	*6618197	HYDR. BLOCK CASING
37	*4397680	WASHER 6 (6,6x18x3)
38	*4398723	SCREW 6x12

***= Non Stock Items**
Please, Contact Hennessy for Availability

ELECTRIC PANEL

TAV. 4.0



ELECTRIC PANEL

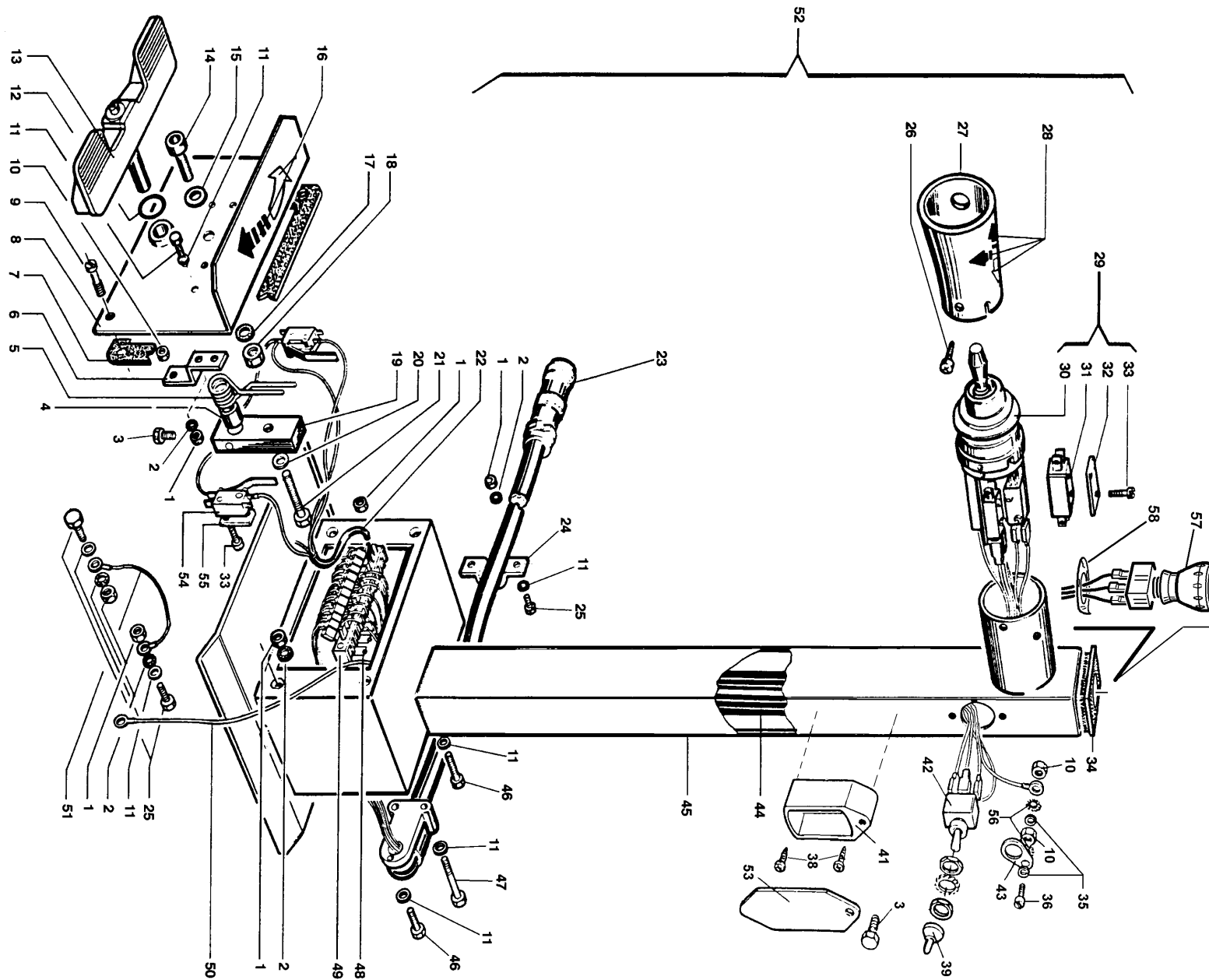
TAV. 4.0

Ref	Code	Description
1	*2005408	ELECTR. UNIT 3PH 50HZ CE
1A	*2008644	ELECTR. UNIT 3PH 60HZ CE
2	*4599153	CONTROL UNIT SWITCH
3	*4399703	TOOTHED WASHER 4,3x8x0,5
4	*4399996	NUT M4 6S
5	*4599154	FUSE CAP
6	*4597707	FUSE 3,15A 5x20 F 250V.
7	*4599158	TRANSFORMER
8	*4599148	ELECTROMAGNETIC SWITCH
9	*4597932	MOTOR OVERLOAD CUTOOUT 10-16A
12	*4597985	FUSE-HOLDER
13	*4597984	FUSE 1 A 5x20 T 250V.
14	*4599160	PILOT LAMP
15	*4399305	SCREW M8x12 8.8
16	*4399829	WASHER 8 (8,4x16x1,5)
17	*4597897	POLE CHANGE SWITCH
18	*4399092	SCREW 4x12 4.8
19	*4399299	SCREW 6x30 8.8
20	*4399976	NUT M8
21	*4599166	CONNECTOR
22	*2001285	HARNESS
23	*4598058	ELECTRICAL PLUG 3PH 16A
24	*2000519	3 PHASE LEAD CABLE
25	*2001287	HARNESS
26	*2001286	HARNESS
27	*2001284	HARNESS

*** = Non Stock Items**
Please, Contact Hennessy for Availability

PEDAL CONTROL

TAV. 5.0



PEDAL CONTROL

TAV. 5.0

Ref	Code	Description
1	*4399996	NUT M4 6S
2	*4399703	TOOTHED WASHER 4,3x8x0,5
3	*4399229	SCREW 6x10 8.8
4	*3001135	SPACER
5	*3007133	PEDAL CONTROL SPRING
6	*3001143	KEEP PLATE
7	*3001138	GASKET
8	*6600977	BOX CAP
9	*4399222	SCREW M4x14
10	*4399127	NUT M3 6S
11	*4399903	WASHER 4 (4,5x12x1,5)
12	*4299223	O-RING 13,94x2,62
13	*2401100	PEDAL
14	*4399954	SCREW M8x20 - 8.8
15	*4399829	WASHER 8 (8,4x16x1,5)
16	*3000961	STICKER
17	*4399122	TOOTHED WASHER 8,4x15x0,8
18	*4399976	NUT M8
19	*3001131	MICROSWITCH CONTROL LEVER
20	*4399998	WASHER 6 (6,4x12x1,6)
21	*4399090	SCREW M6x30 8.8
22	*2001301	HARNESS
23	2001298	HARNESS
24	*3001069	U-BOLT D.19
25	*4399905	SCREW M4x12 8.8
26	*4399995	SELF-TAPPING SCREW 3,5x13
27	*3001139	COVER
28	*3000962	STICKER
29	2001142	MANIPULATOR
30	*3001137	GUARD
31	4599129	MICROSWITCH
32	*4599128	PLATE
33	*4399123	SCREW 3x20
34	*3018175	PEDAL UNIT END COVER

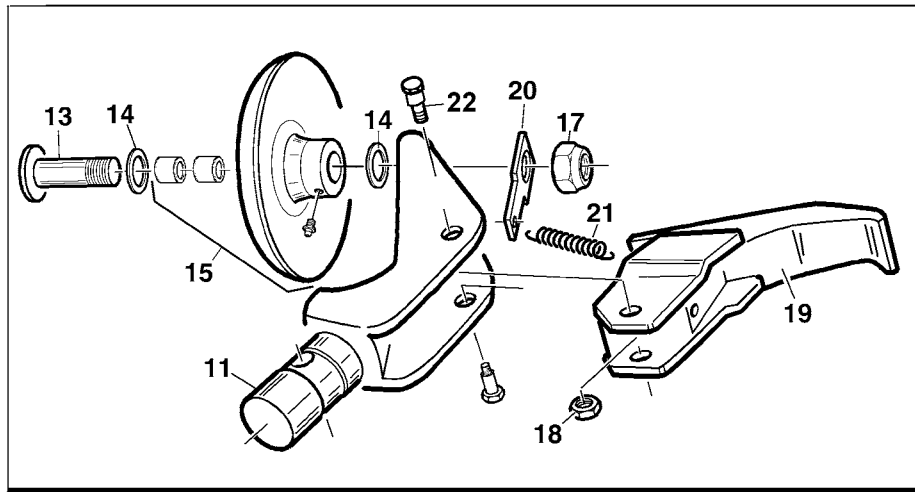
*** = Non Stock Items**
Please, Contact Hennessy for Availability

PEDAL CONTROL

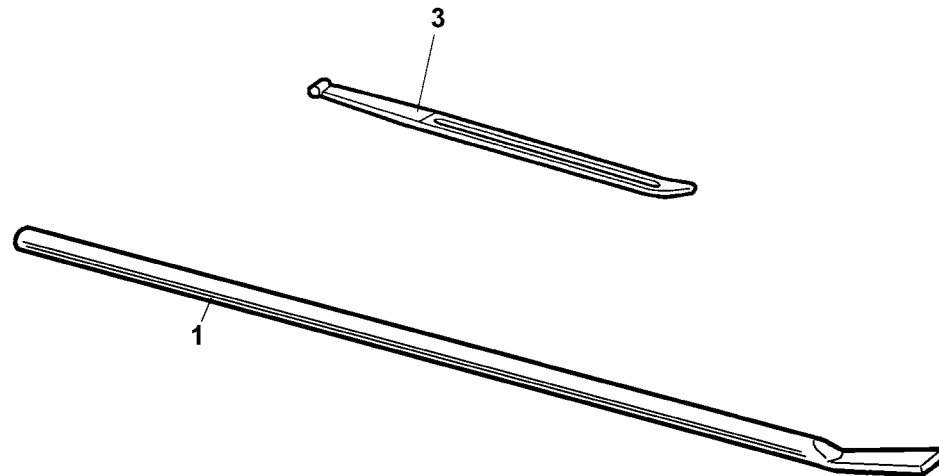
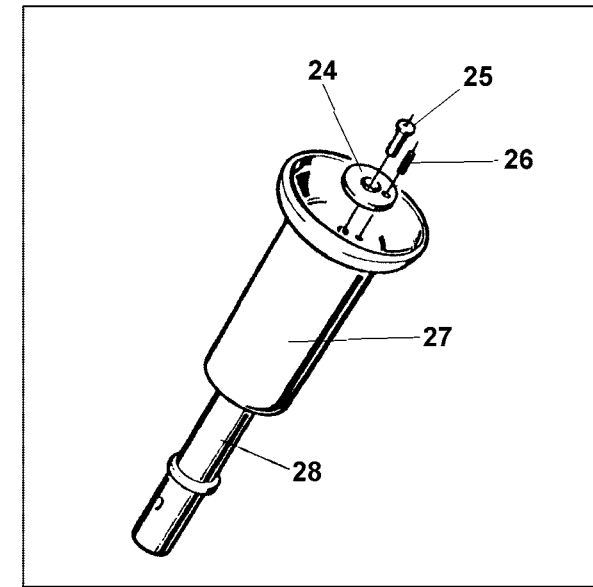
TAV. 5.0

35	*4399126	WASHER 3,2x7x0,5
36	*4399044	SCREW 3x12
37	*3000964	STICKER
38	*4399091	SELF-TAPPING SCREW 3,5x13
39	*4599125	COVER
40	*3000965	STICKER
41	*3006791	SWITCH PLASTIC SUPPORT
42	4599221	LEVER SWITCH
43	*3005928	GROUND CABLE PLATE
44	*2001297	HARNESS
45	*6606762	PEDAL UNIT BASE
46	*4399124	SCREW M4x16 8.8
47	*4399860	SCREW M4x40 - 8.8
48	*4599157	DIODE
49	*4599220	TERMINAL BOARD
50	*2001299	CABLE
51	*2001300	CABLE
52	*2005409	PEDAL CONTROL UNIT
53	*3005718	SWITCH COVER
54	4599219	MICROSWITCH
55	*4599128	PLATE
56	*4399045	TOOTHED WASHER 3,2x12x0,5
57	*4594928	EMERGENCY STOP BUTTON D.40
58	*3018179	STICKER

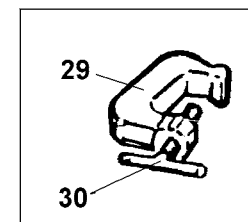
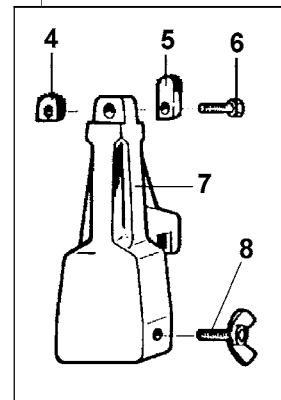
*** = Non Stock Items**
Please, Contact Hennessy for Availability



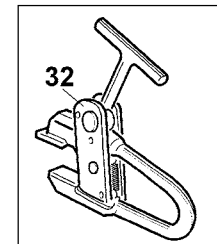
10



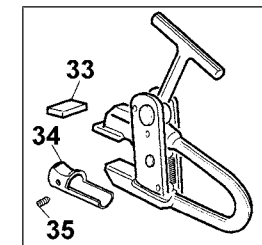
9



31



37



ACCESSORIES and OPTIONS

TAV. 6.0

- 1 *6601002 LONG BEAD LIFTING LEVER
- 3 *3001061 SHORT TYRE LEVER
- 4 *3001315 CLAMP
- 5 *3001313 CLAMP
- 6 *4399089 SCREW
- 7 *3001314 EXTENSION
- 8 *3001384 SCREW
- 9 *2001316 EXTENSION
- 10 *2010853 DOUBLE HEAD TOOL GR.
- 11 *2110832 SUPPORT
- 13 *3010831 PIN
- 14 *4396915 RING 41x52Ex0,5 (3)
- 15 *2019101 BEAD BREAKING DISK
- 17 *4396916 SELF-LOCKING NUT 27x3
- 18 *4399295 NUT
- 19 *2110835 LONG TOOL
- 20 *3010841 SPRING CONNECTION
- 21 3001266 SPRING
- 22 *3010837 PIN
- 24 *3010654 WASHER
- 25 *4399119 SPRING PIN
- 26 *4399120 SCREW TSPEI M10x20 10.9
- 27 *3001308 ROLLER
- 28 *3001309 SHAFT
- 29 *3001311 CLAMP
- 30 *3001310 SCREW
- 29 *3001311 CLAMP
- 30 *3001310 SCREW
- 31 *2001312 CLAMP WITH SCREW
- 32 *2001059 PLIER
- 33 *3001304 BLOCK
- 34 *3001303 LOWER COUPLING
- 35 *4399121 SCREW 6X6
- 37 *2001302 CLAMP FOR ALLOY RIM

***= Non Stock Items**
Please, Contact Hennessy for Availability

COATS®

HENNESSY Industries, INC
1601 J.P. Hennessy Drive, LaVergne, TN 37086-3565 USA
37086 - 3565 USA Toll Free 800-688-6496
www.ammcoats.com