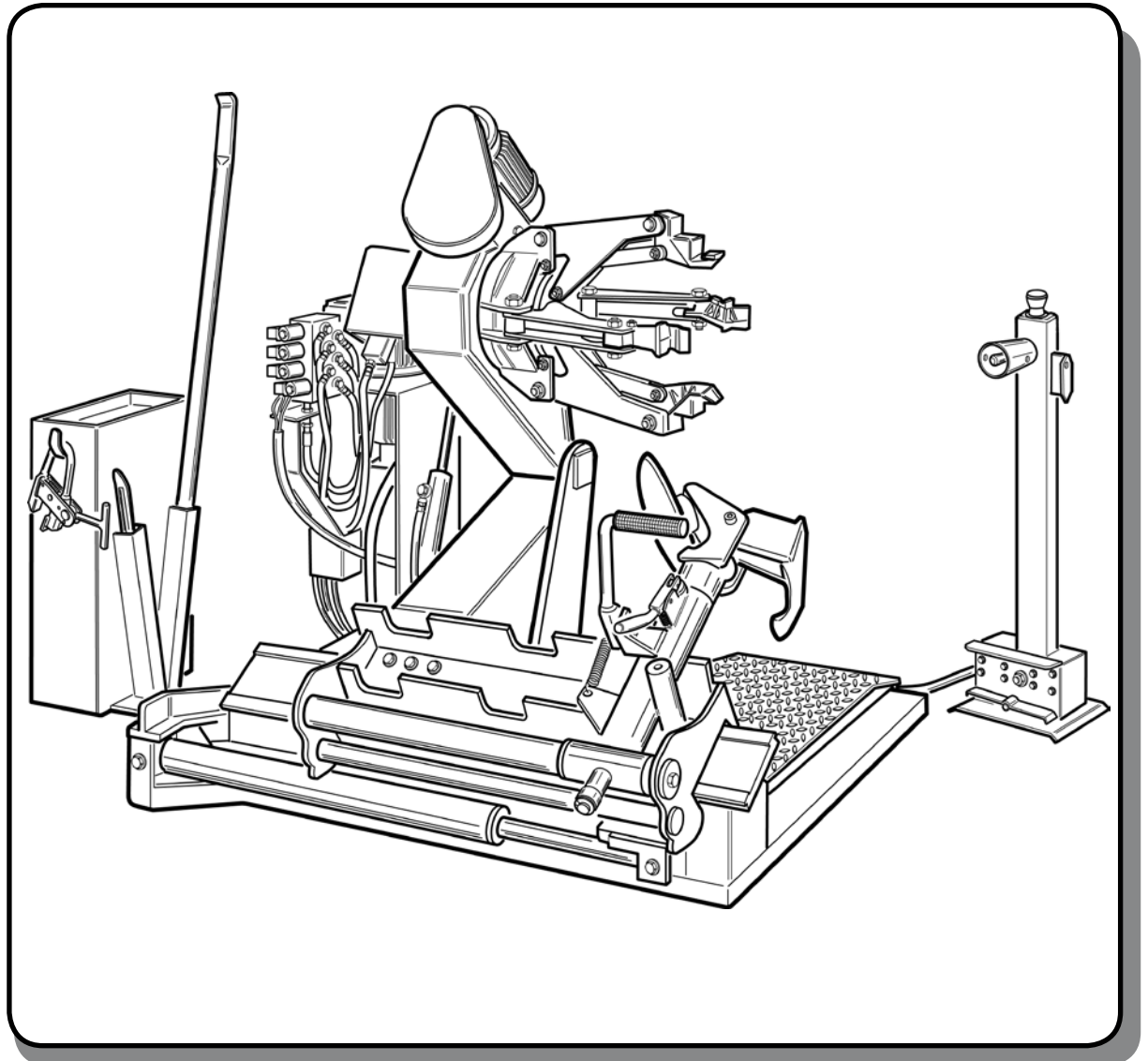


COATS®

ORIGINAL SPARE PARTS

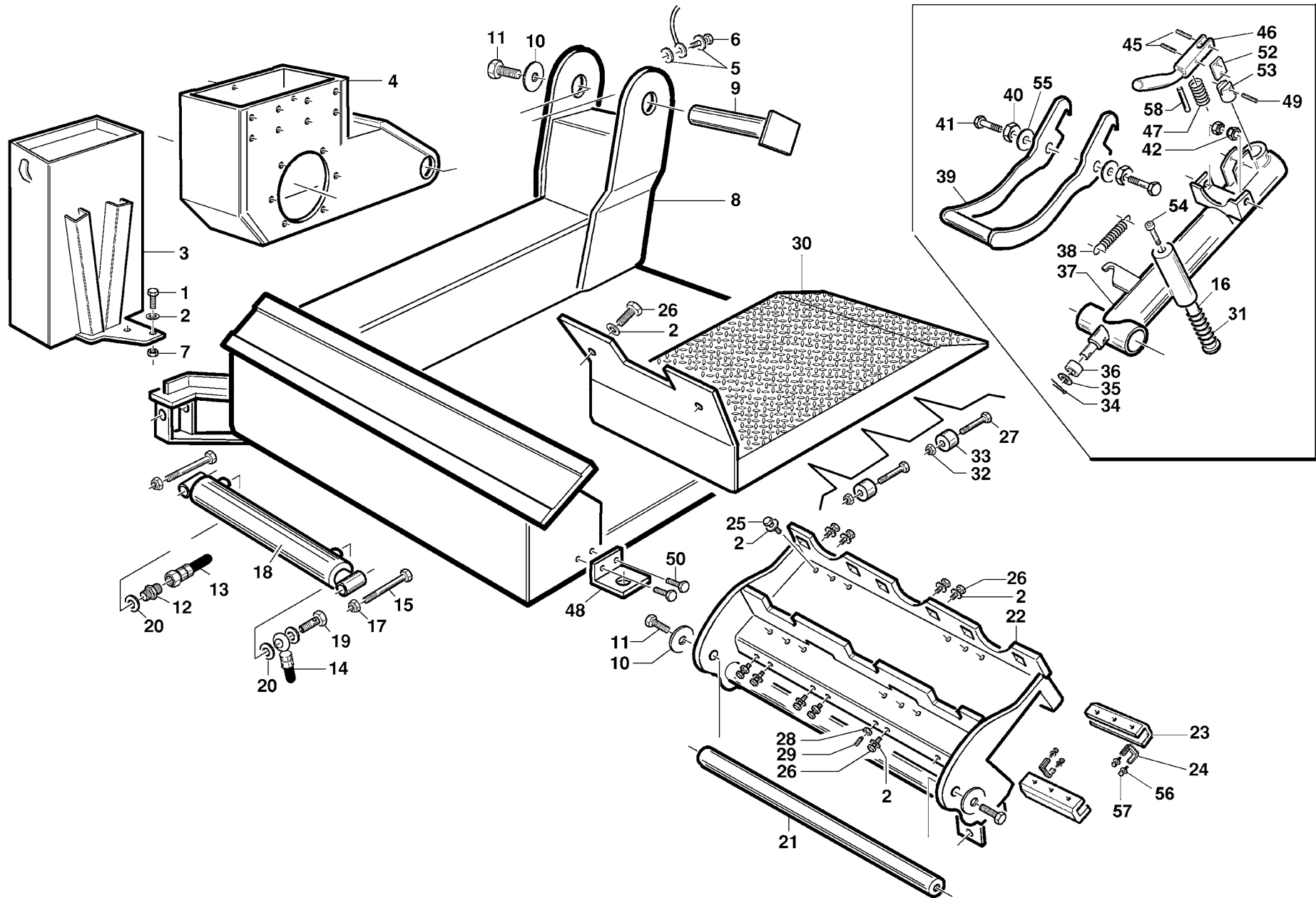
CHD-6330



85010075/00
Revision 07/2008

FRAME

TAV. 1.0



FRAME

TAV. 1.0

Rif	Code	Description
1	*4399880	SCREW TE 10x40
2	*4399378	WASHER D.10 (10,5x21x2)
3	*6611330	SUPPORT
4	*7910913	CHUCK
5	*4399288	TOOTHED WASHER 6,4x11x0,7
6	*4398273	SELF-TAPPING SCREW TCEI 5,5x19
7	*4399969	NUT M10
8	*7913968	BASE
9	*2113544	BEAD BREAKING ARM PIN
10	*3001067	WASHER
11	*4399302	SCREW 14x30 8.8
12	*4199257	NIPPLE 1/4" - h.7 mm.
13	*3011274	HOSE "A" 1/4" L=1550
14	*3011282	HOSE "B" 1/4" L=2150
15	*4399945	VIS M16x100 8.8
16	*3018125	EXPELLER
17	*4399963	SELF-LOCKING NUT M16
18	*6609462	LONG CYLINDER D.50 C=600
19	*4199249	BOLT 1/4"
20	*4399256	COPPER WASHER 1/4" D.13x19x1,5
21	*3009544	TOOL-HOLDER SHAFT
22	*7818150	CARRIAGE
23	3018643	CARRIAGE SLIDE
24	3019036	SCRAPER 20x20
25	*4399951	SCREW TE 10x35 8.88
26	*4399228	SCREW TE 10x25 8.88
27	*4399945	VIS 16x100
28	*4399967	NUT M10
29	*4398849	SCREW M10x16
30	*6618860	PLATFORM
31	3001038	SPRING

*** = Non Stock Items**
Please, Contact Hennessy for Availability

FRAME

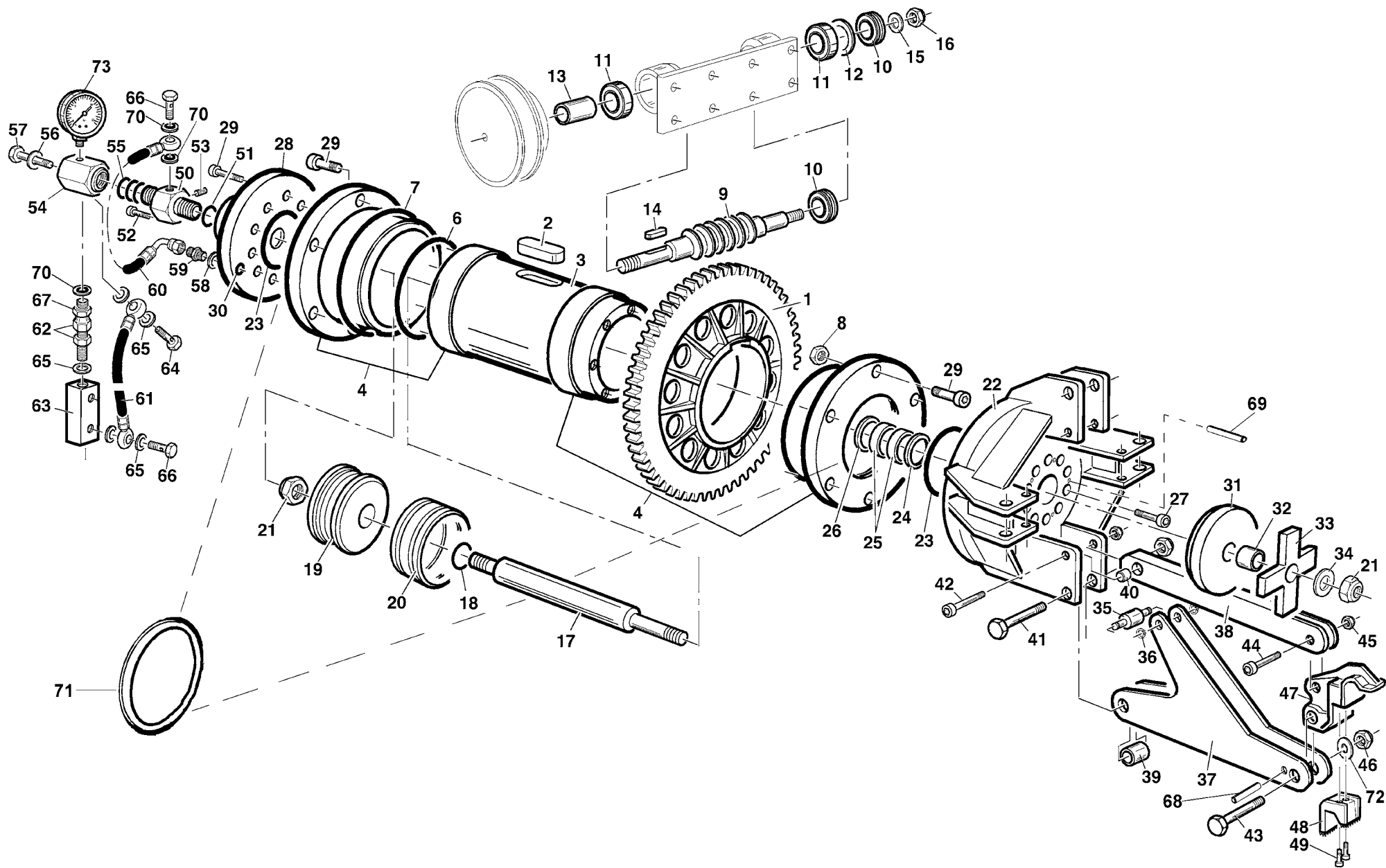
TAV. 1.0

32	*4399295	NUT M16
33	4299251	WHEEL
34	*4399192	SPLIT PIN D.4x36
35	*4399813	WASHER 20 (21x37x3)
36	*3001039	ROLLER
37	*6618873	TOOL ARM
38	*3000114	BEAD BREAKING ARM SPRING
39	*6618868	HOOK
40	*3001031	CAM
41	*4397334	SCREW TE 18x65 8.8
42	*4399316	SELF-LOCKING NUT 18x1,5 h=18
43	*4399228	SCREW 10x25
44	*4399967	NUT M10
45	*4399323	ELASTIC PIN D.6x18
46	*3001030	LEVER
47	3001040	SPRING
48	*3011578	FRAME FASTENING PLATE
49	*4399322	ELASTIC PIN D.8x32
50	*4399966	SCREW M10x20 - 8.8
51	*4297550	PVC HANDLE D.28
52	*3001028	CONNECTING ROD
53	*3001029	BOLT
54	*4399297	SCREW 8x130
55	*3018874	CAM SPACER D.30X41X8
56	*4399903	WASHER 4 (4,5x12x1,5)
57	*4398945	SELF-TAPPING SCREW 4x12,6
58	*4399321	ELASTIC PIN D.10x20

*** = Non Stock Items**
Please, Contact Hennessy for Availability

SELF-CENTERING CHUCK

TAV. 2.0



SELF-CENTERING CHUCK

TAV. 2.0

Rif	Code	Description
1	*3010839	HELICAL GEAR
2	*4399218	TAB 20x12x60
3	*3011706	CYLINDER D.85
4	*2019104	SUPPORT
6	4296871	O-RING 113,9x3,53
7	4296743	O-RING 145,64x3,53
8	*4397678	FLANGED NUT M8
9	*3010861	WORM
10	*4299284	BEARING
11	*4299285	BEARING
12	*3001115	SPACER
13	*3000999	SPACER D.26x36x58
14	*4399287	TAB 7x8x30
15	3001114	WASHER D.16,2x38x7
16	*4399181	NUT M16x1,5
17	*3010975	CYLINDER ROD
18	4299136	O-RING D.21,82x3,53
19	*3002875	PISTON D.85
20	4298690	SEAL RING
21	*4398683	SELF-LOCKING NUT M20x1,5
22	*2111708	CHUCK
23	4298691	O-RING D.78,97x3,53
24	4298689	SCRAPER RING
25	4298688	GUIDE RING
26	4298687	SEAL RING
27	*4396672	SCREW TCEI 10x30 12.9
28	*3002876	CYLINDER BACK COVERING
29	*4398684	SCREW TCEI 8x30 12.9
30	4298924	O-RING 3024 (2,62x6,02)
31	*3002978	CHUCK OPENING CONTROL
32	*3011092	SPACER
33	*3002980	CROSS PIECE

*** = Non Stock Items**
Please, Contact Hennessy for Availability

SELF-CENTERING CHUCK

TAV. 2.0

34	*4399813	WASHER 20 (21x37x3)
35	*3002977	PIN
36	*4398686	SEEGER RING D.16
37	*3010824	CHUCK ARM
38	*3002976	CHUCK LEVER
39	*3002979	SPACER
40	*3000108	CONNECTING ROD SPACER D.12x18x11
41	*3000967	SCREW TE M18x1,5x103
42	*4397501	SCREW TCEI 12x90
43	*3003003	SCREW TE MA 18 Lp.50 - Lt. 78
44	*3000599	PIN L=50
45	*4399865	SELF-LOCKING NUT M12
46	*4399316	SELF-LOCKING NUT 18x1,5 h=18
47	*3016556	CLAMP SUPPORT
48	3001043	CLAMP
49	4399956	ALLEN SCREW
50	*2001241	PIN
51	4299241	O-RING D.23,40x3,53
52	*4399299	SCREW TCEI 6x30 8.8
54	*2001242	PIVOT UNION BODY
55	4299167	RING
56	*4399947	WASHER 8 (9x32x4)
57	*4399305	SCREW M8x12 8.8
58	*4198306	COPPER WASHER 1/8"
59	*4199940	NIPPLE 1/8" - 1/4"
60	*3011324	HOSE L=280
61	*3009763	HOSE 1/4" L=400
62	*4197164	PIVOT UNION M/F 1/4"
63	4197238	STOP VALVE
64	*4197232	BOLT 1/4"
65	*4399256	COPPER WASHER 1/4" D.13x19x1,5
66	*4199249	BOLT 1/4"
67	*4199257	NIPPLE 1/4" - h.7 mm.
68	*4399323	GOUPILLE ELASTIQUE 6X18

*** = Non Stock Items**
Please, Contact Hennessy for Availability

SELF-CENTERING CHUCK

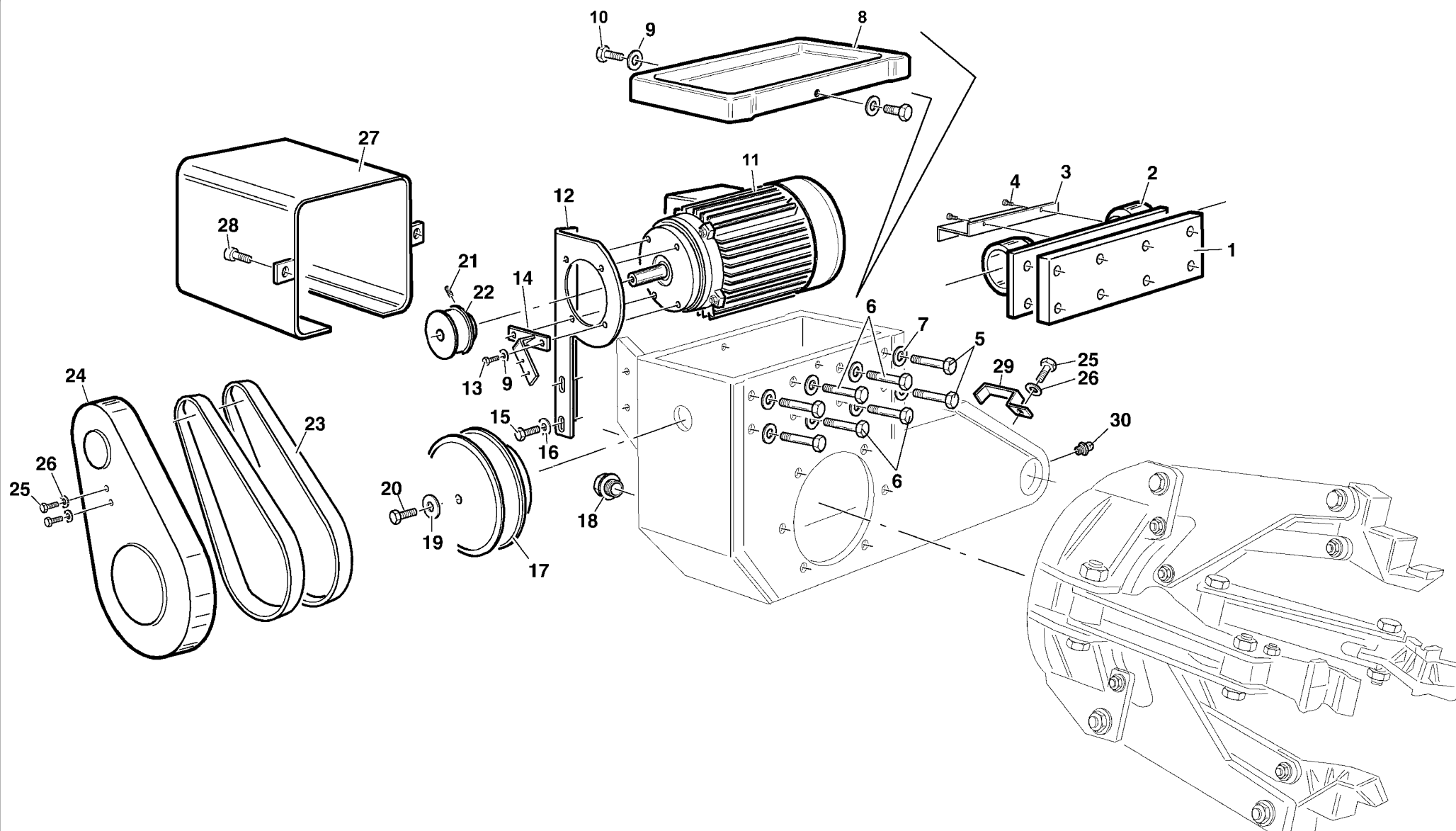
TAV. 2.0

69	*4396595	GOUPILLE ELASTIQUE SPIROL D.8X50
70	*4396341	BOND WASHER 1/4"
71	*3013266	STEEL SHIM 120x155x0,5
72	*4398289	WASHER 18 (19x34x3)
73	*4199146	PRESSURE GAUGE 1/4" 250 BAR

*** = Non Stock Items**
Please, Contact Hennessy for Availability

SELF-CENTERING CHUCK ARM

TAV. 3.0



SELF-CENTERING CHUCK ARM

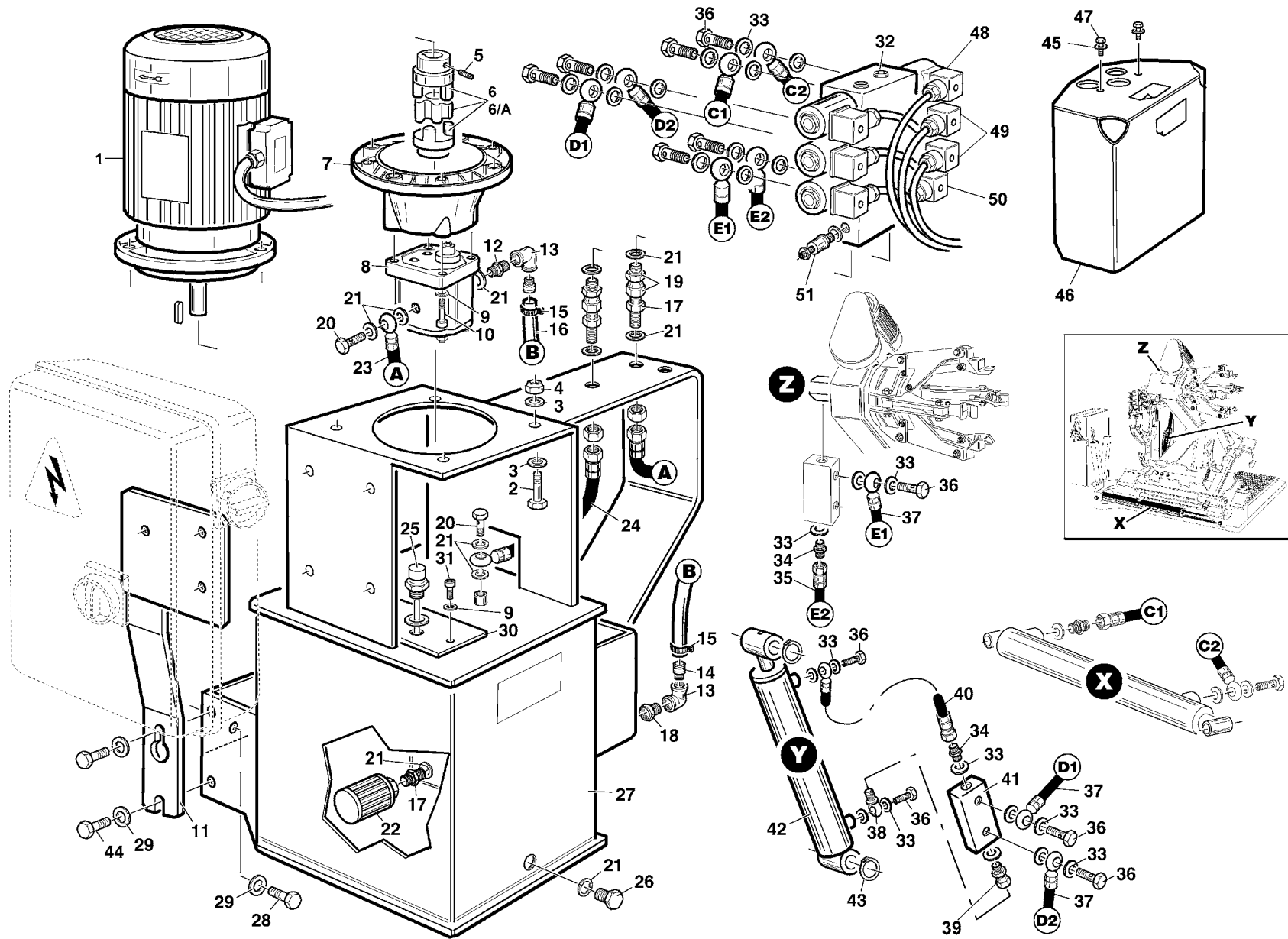
TAV. 3.0

Rif	Code	Description
1	*3011129	SUPPORT PLATE
2	*2101009	WORM SUPPORT
3	*3001010	OIL SCREEN
4	*4399300	SCREW M6x12 8.8
5	*4399933	SCREW M10x50 8.8
6	*4399880	SCREW M10x40 8.8
7	*4399378	WASHER D.10 (10,5x21x2)
8	*3011435	COVER
9	*4399829	WASHER 8 (8,4x16x1,5)
10	*4399305	SCREW 8x12
11	*4594251	MOTOR 3PH 208-230V.50/60HZ Kw1,1/1,5
12	*3011158	HUCK MOTOR SUPPORT
13	*4399935	SCREW 8X25
14	*2111377	BELT CASING SUPPORT
15	*4399786	SCREW M10x30 8.8
16	*3000495	WASHER D.10x36x5
17	*3001052	DRIVEN PULLEY
18	*4297160	OIL LEVEL INDICATOR 3/4"
19	*3001068	WASHER D.10,5x40x5
20	*4399228	SCREW 10x25
21	*4398827	SCREW 8x12
22	*3000975	MOTOR PULLEY
23	4294151	BELT ROFLEX SPZ 750
24	*3011338	BELT CASING
25	*4398723	SCREW 6x12 8.8
26	*4398848	WASHER 6 (6,6x18x1,5)
27	*6611337	PIVOT UNION COVER
28	*4399298	SCREW M8x16 8.8
29	*3011310	CABLE FASTENER
30	*4399207	LUBRICATOR M6

*** = Non Stock Items**
Please, Contact Hennessy for Availability

HYDRAULIC POWER UNIT

TAV. 4.0



HYDRAULIC POWER UNIT

TAV. 4.0

Rif	Code	Description
1	*4594305	MOTOR 3PH 200-240/345-415V.50/60HZ
2	*4399826	SCREW M8x45 - 8.8
3	*4399863	WASHER 8 (9x24x2)
4	*4399900	SELF-LOCKING NUT M8
5	*4399121	SCREW 6x6
6	*4197873	ELASTIC JOINT HE41
6A	*4197230	ELASTIC JOINT HE-6
7	*4197872	FLANGE GR.80 D.200 HL5L
8	*4197254	PUMP 4LT.
9	*4399998	WASHER 6 (6,4x12x1,6)
10	*4399299	SCREW TCEI 6x30 8.8
11	*6611311	CONTROL UNIT SUPPORT
12	*4196767	NIPPLE 3/8" - 1/2"
13	*4196780	UNION 1/2"
14	*4199792	UNION 1/2"
15	*4199793	BAND 19x28
16	*3001370	HOSE D.16x26 L=400
17	*4197600	UNION 3/8"
18	*4197163	REDUCTION PIECE 1/2"-3/8"
19	*4197621	UNION 3/8"
20	*4197330	"DRILLED UNION BOLT 3/8""
21	*4198598	COPPER WASHER 3/8" 17x23x1,5
22	*4197241	OIL FILTER
23	*3011285	HOSE 3/8" L=420 PUMP DELIVERY
24	*3011284	DRAINING HOSE 3/8" L=320
25	*4197047	OIL LEVEL PLUG 1/2" WITH DIPST
26	*4196747	CAP 3/8"
27	*6611287	OIL TANK
28	*4399966	SCREW M10x20 - 8.8

*** = Non Stock Items**
Please, Contact Hennessy for Availability

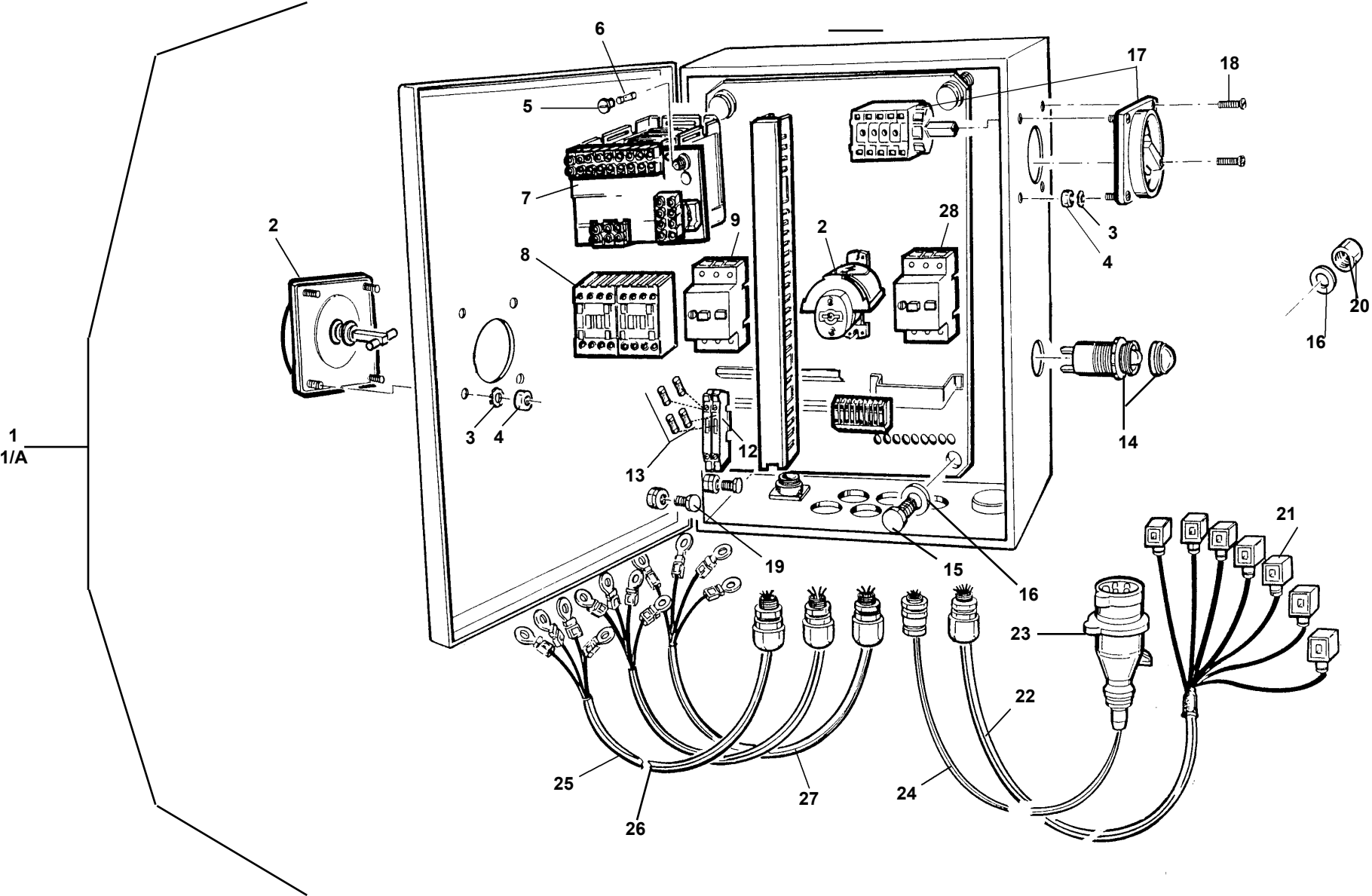
HYDRAULIC POWER UNIT

TAV. 4.0

29	*4399378	WASHER D.10 (10,5x21x2)
30	*6611329	TANK COVER
31	*4399300	SCREW M6x12 8.8
32	2009759	MULTIPLE BASE WITH SOLENOID VA
33	*4399256	COPPER WASHER 1/4" D.13x19x1,5
34	*4199257	NIPPLE 1/4" - h.7 mm.
35	*3011286	HOSE 1/4" L=960
36	*4199249	BOLT 1/4"
37	*3011280	HOSE 1/4" L=980
38	*4197297	UNION 1/4"-1/4"
39	*4197164	PIVOT UNION M/F 1/4"
40	*3018429	HOSE 1/4" L=116
41	4197238	STOP VALVE
42	*6609461	SHORT CYLINDER D.50 C=250
43	*4399979	SEEGER RING D.30
44	*4399228	SCREW TE 10x25 8.8
45	*4397680	WASHER 6 (6,6x18x3)
46	*6618197	HYDR. BLOCK CASING
47	*4398723	SCREW 6x12
48	4196318	SOLENOID VALVE - TURNTABLE
49	4196317	SOLENOID VALVE - CARRIAGE
50	4197106	SOLENOID VALVE - RELIEF
51	4195385	RELIEF VALVE

*** = Non Stock Items**
Please, Contact Hennessy for Availability

ELECTRIC PANEL



ELECTRIC PANEL

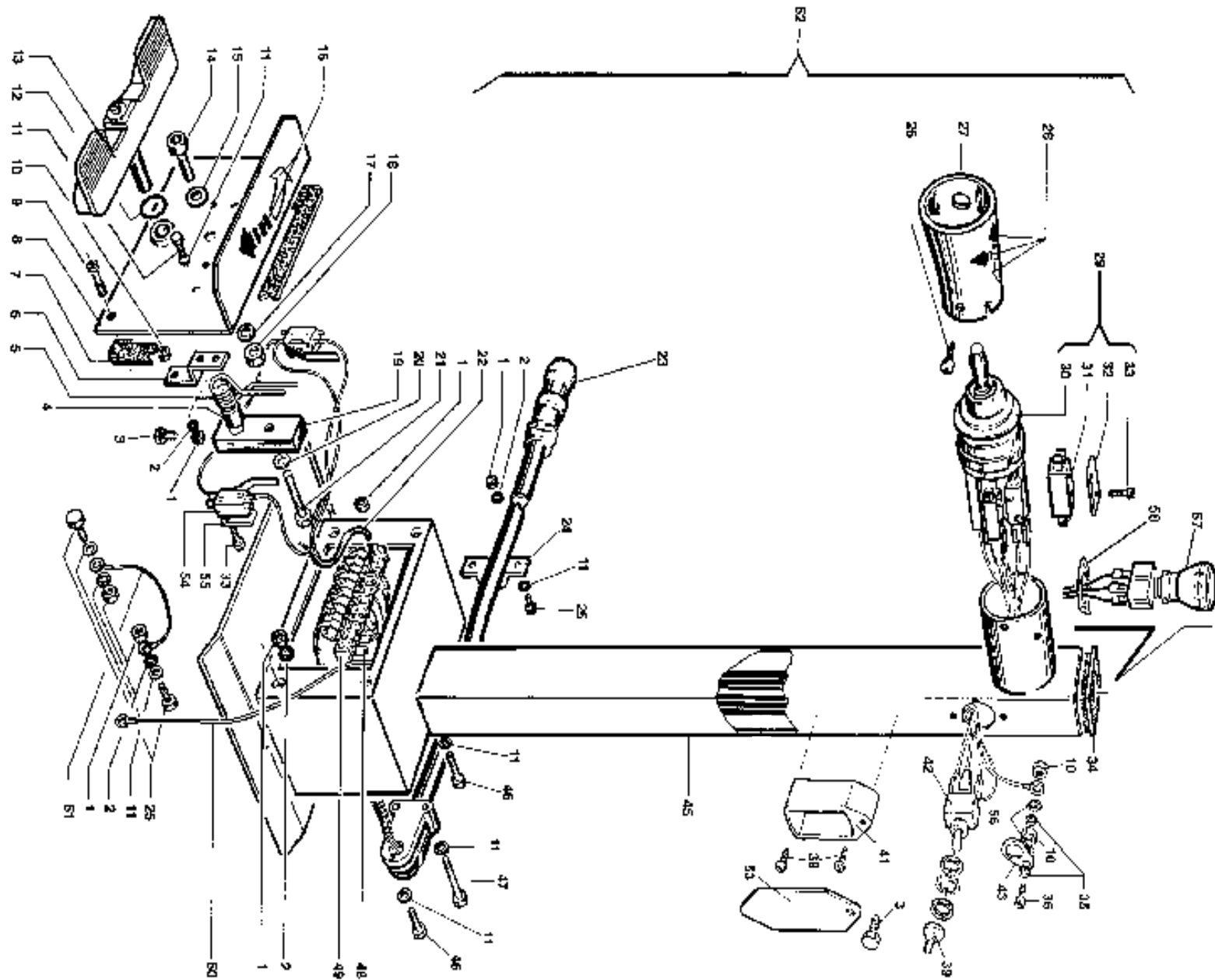
TAV. 5.0

Rif	Code	Description
1	*2005408	ELECTR. UNIT 3PH 50HZ CE
1A	*2008644	ELECTR. UNIT 3PH 60HZ CE
2	*4599153	SWITCH
3	*4399703	WASHER
4	*4399996	NUT M4 6S
5	*4599154	FUSE CAP
6	*4597707	FUSE 3,15A 5x20 F 250V.
7	*4599158	TRANSFORMER
8	*4599148	RELAY
9	*4597932	MOTOR OVERLOAD CUTOUT 10-16A
12	*4597985	FUSE-HOLDER
13	*4597984	FUSE 1 A 5x20 T 250V.
14	*4599160	PILOT LAMP
15	*4399305	SCREW M8x12 8.8
16	*4399829	WASHER 8 (8,4x16x1,5)
17	*4597897	POLE CHANGE SWITCH
18	*4399092	SCREW
19	*4399299	SCREW TCEI 6x30 8.8
20	*4399976	NUT M8
21	*4599166	CONNECTOR
22	*2001285	HARNESS
23	*4598058	ELECTRICAL PLUG 3PH 16A
24	*2000519	3 PHASE LEAD CABLE
25	*2001287	HARNESS
26	*2001286	HARNESS
27	*2001284	HARNESS
28	*4597274	MOTOR OVERLOAD CUTOUT 6,3-10A

*** = Non Stock Items**
Please, Contact Hennessy for Availability

PEDAL CONTROL

TAV. 6.0



PEDAL CONTROL

TAV. 6.0

Ref	Code	Description
1	*4399996	NUT M4 6S
2	*4399703	TOOTHED WASHER 4,3x8x0,5
3	*4399229	SCREW 6x10 8.8
4	*3001135	SPACER
5	3007133	PEDAL CONTROL SPRING
6	*3001143	KEEP PLATE
7	*3001138	GASKET
8	*6600977	BOX CAP
9	*4399222	SCREW M4x14
10	*4399127	NUT M3 6S
11	*4399903	WASHER 4 (4,5x12x1,5)
12	*4299223	O-RING 13,94x2,62
13	*2401100	PEDAL
14	*4399954	SCREW M8x20 - 8.8
15	*4399829	WASHER 8 (8,4x16x1,5)
16	*3000961	STICKER
17	*4399122	TOOTHED WASHER 8,4x15x0,8
18	*4399976	NUT M8
19	*3001131	MICROSWITCH CONTROL LEVER
20	*4399998	WASHER 6 (6,4x12x1,6)
21	*4399090	SCREW M6x30 8.8
22	*2001301	HARNESS
23	2001298	HARNESS
24	*3001069	U-BOLT D.19
25	*4399905	SCREW M4x12 8.8
26	*4399995	SELF-TAPPING SCREW 3,5x13
27	*3001139	COVER
28	*3000962	STICKER
29	2001142	MANIPULATOR
30	*3001137	GUARD
31	*4599129	MICROSWITCH
32	*4599128	PLATE
33	*4399123	SCREW 3x20
34	*3018175	PEDAL UNIT END COVER

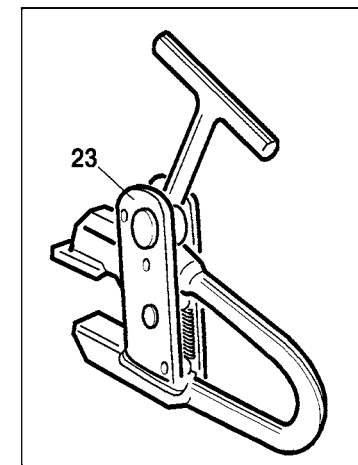
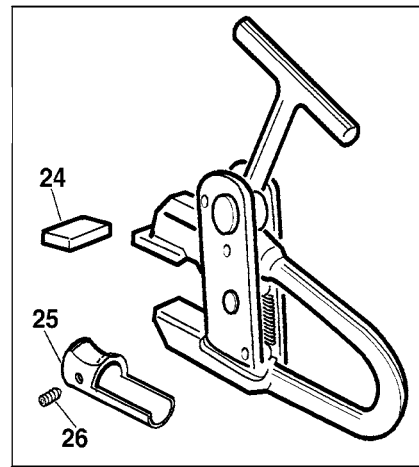
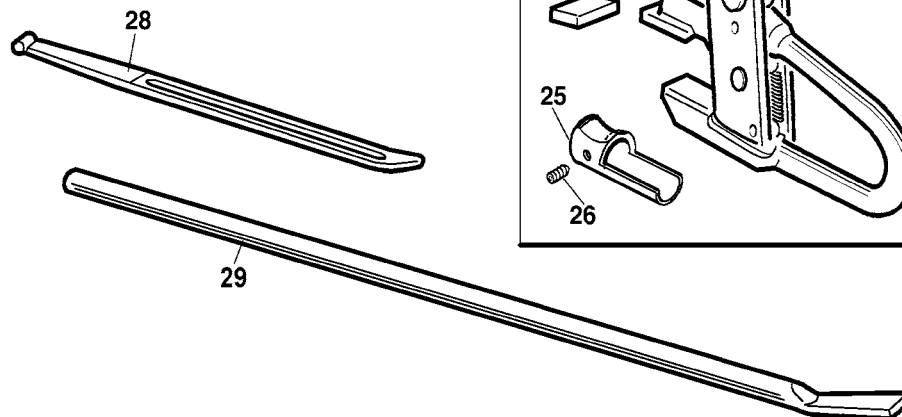
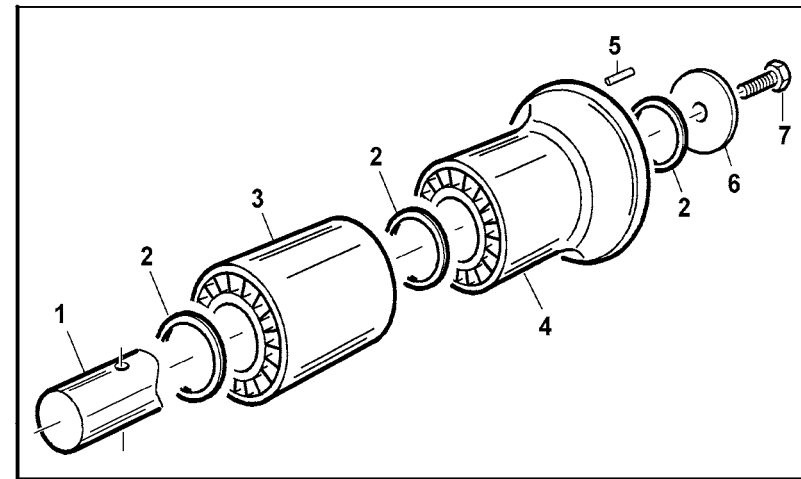
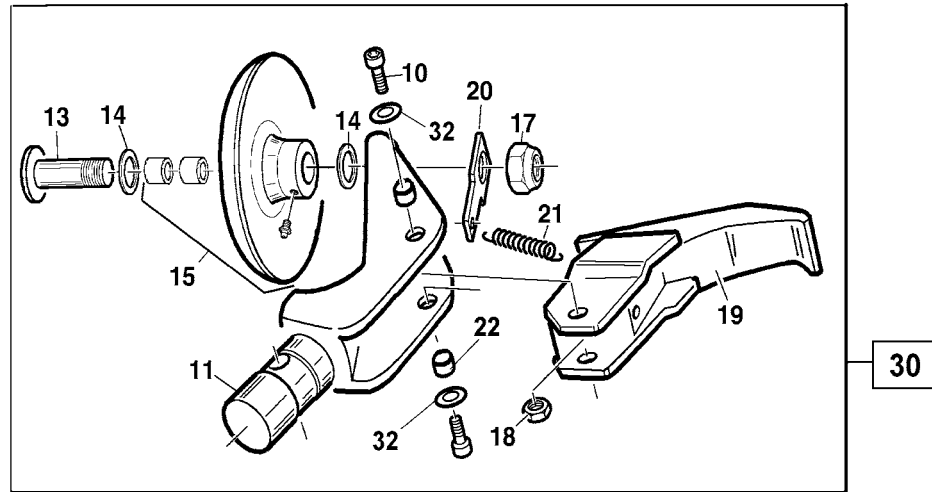
*** = Non Stock Items**
Please, Contact Hennessy for Availability

PEDAL CONTROL

TAV. 6.0

35	*4399126	WASHER 3,2x7x0,5
36	*4399044	SCREW 3x12
37	*3000964	STICKER
38	*4399091	SELF-TAPPING SCREW 3,5x13
39	*4599125	COVER
40	*3000965	STICKER
41	*3006791	SWITCH PLASTIC SUPPORT
42	4599221	LEVER SWITCH
43	*3005928	GROUND CABLE PLATE
45	*6606762	PEDAL UNIT BASE
46	*4399124	SCREW M4x16 8.8
47	*4399860	SCREW M4x40 - 8.8
48	*4599157	DIODE
49	*4599220	TERMINAL BOARD
50	*2001299	CABLE
51	*2001300	CABLE
52	*2005409	PEDAL CONTROL UNIT
53	*3005718	SWITCH COVER
54	4599219	MICROSWITCH
55	*4599128	PLATE
56	*4399045	TOOTHED WASHER 3,2x12x0,5
57	*4594928	EMERGENCY STOP BUTTON D.40
58	*3018179	STICKER

*** = Non Stock Items**
Please, Contact Hennessy for Availability

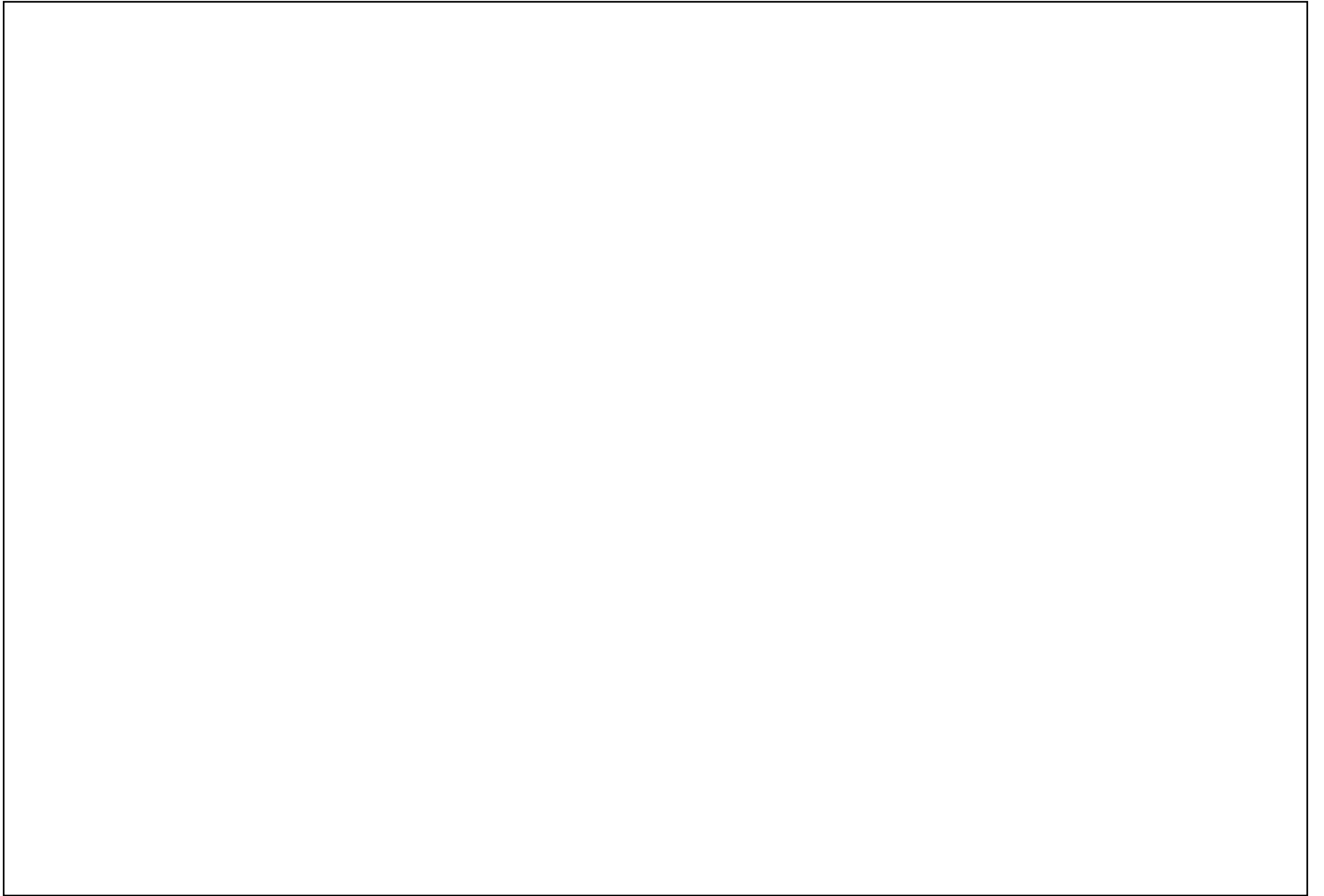


ACCESSORIES & OPTIONS

TAV. 7.0

Rif	Code	Description
1	*3018113	SHAFT
2	*4394647	STEEL SHIM 52x65x1
3	*3018066	TYRE SUPPORT
4	*3018067	BEAD BREAKING ROLLER
5	*4398880	SPRING PIN 4x12
6	*3018119	WASHER
7	*4399302	SCREW 14x30
10	*4397504	VIS TCEI 12x30 12.9
11	*2110827	SUPPORT
13	*3010831	AXE
15	*2019102	DISQUE DECOLLE-TALONS
16	*4399207	GRAISSEUR M6
17	*4396916	ECROU A'BL.AUT.M27X3 HAUT
18	*4398657	ECROU M12 BAS UNI 5589
19	*2110836	OUTIL COURT
20	*3010841	CROCHET
21	3001266	RESSORT
22	*3000108	ENTRETOISE BIELLE D.12x18x11
23	*2001059	PINCE POUR JANTES
24	*3001304	TASSEAU SUPERIEUR PINCE
25	*3001303	MANCHON INFERIEUR PINCE
26	*4399121	VIS 6x6
28	*3001061	LEVIER POUR TRINGLES
29	*6601002	LEVIER DECOLLE-TALONS
30	*2010852	OUTIL DOUBLE
32	*4396878	CALE EN ACIER 12x25x0,5

*** = Non Stock Items**
Please, Contact Hennessy for Availability



COATS®

HENNESSY Industries, INC
1601 J.P. Hennessy Drive, LaVergne, TN 37086-3565 USA
Toll Free 800-688-6496
www.ammcoats.com