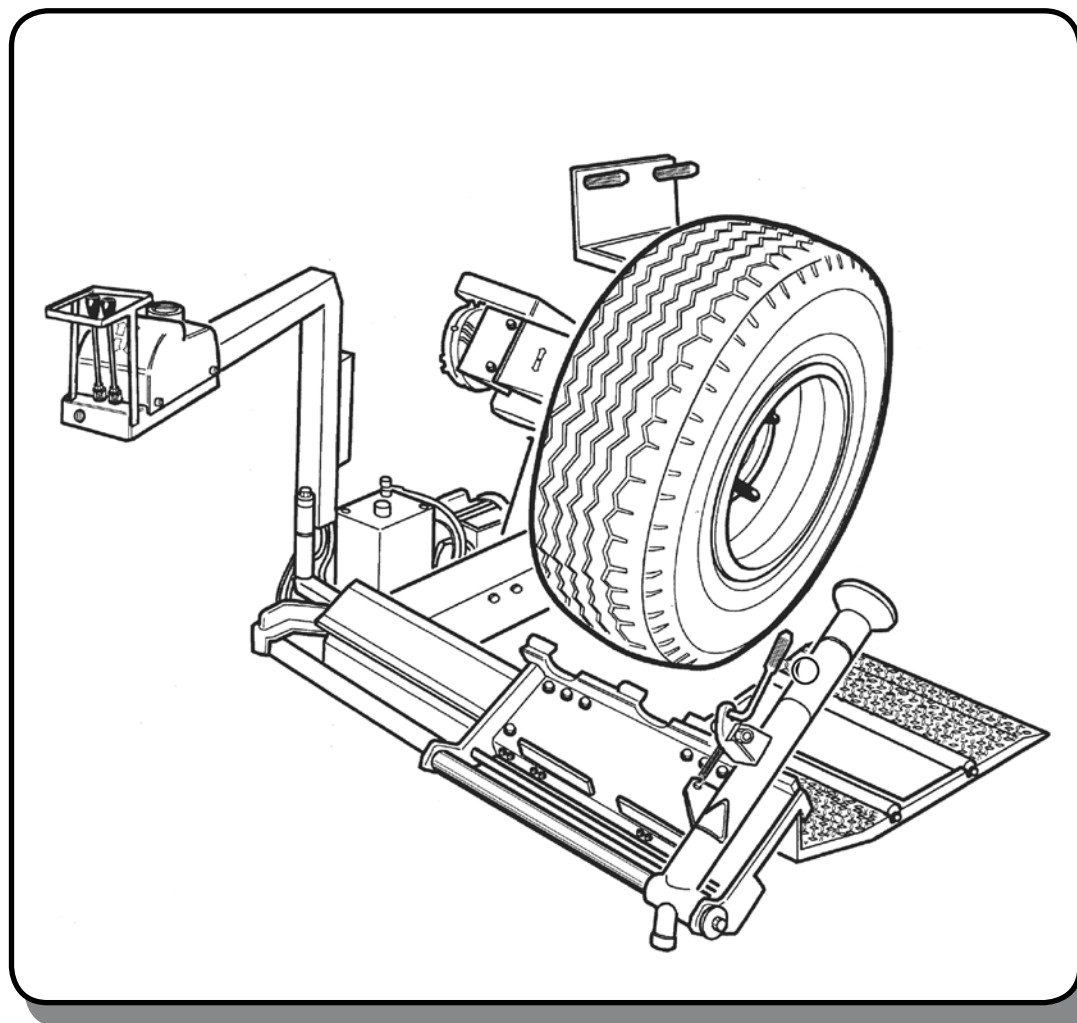


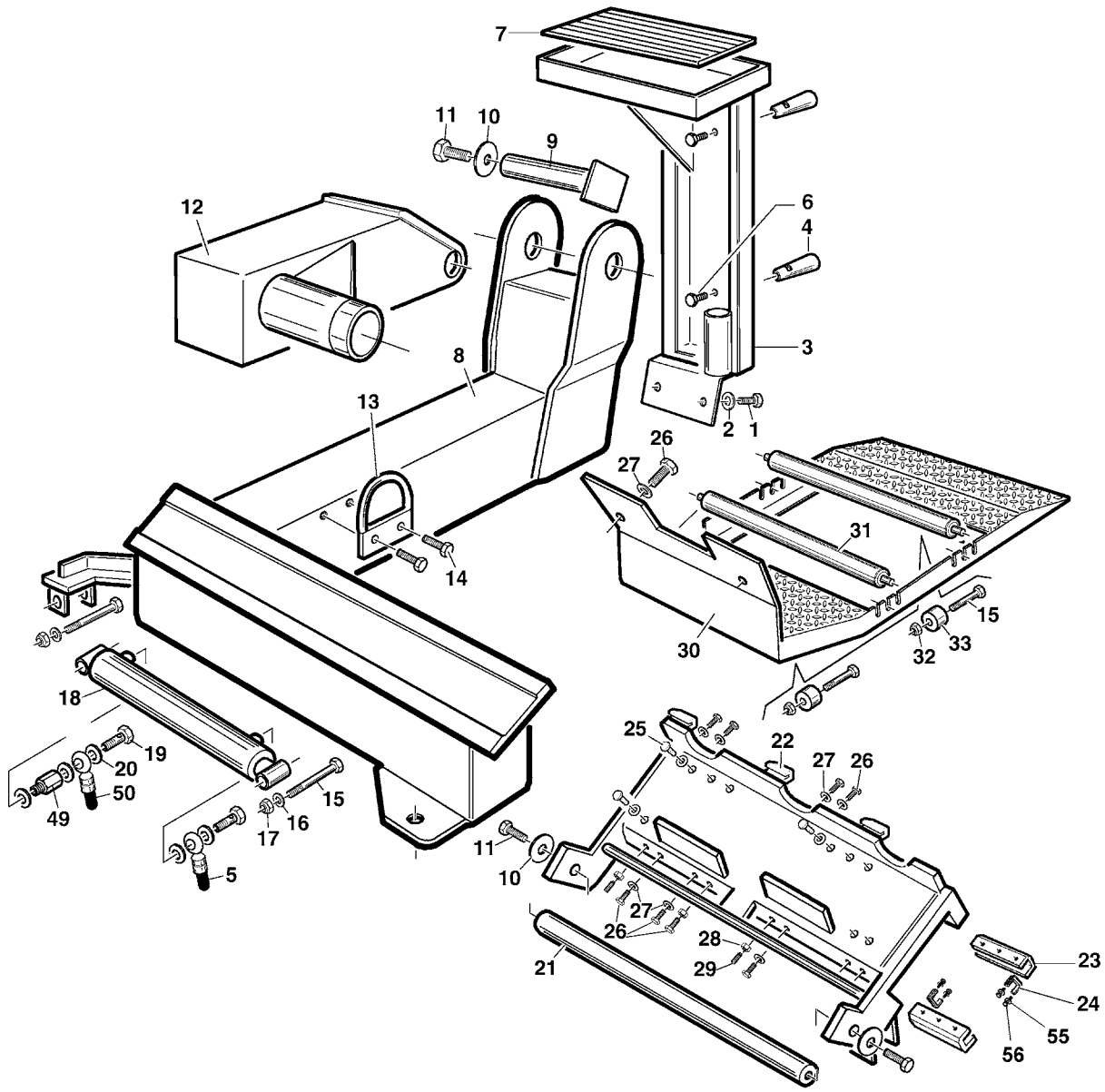
COATS

ORIGINAL SPARE PARTS

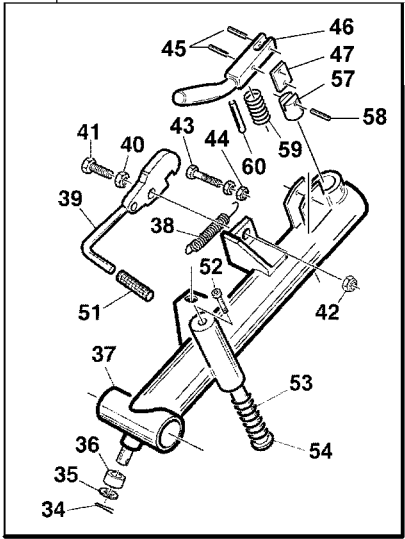
CHD-4730



85010072/00
Revision 07/08



48



FRAME

TAV. 1

Ref	Code	Description
1	*4399827	SCREW M8x20 8.8
2	*4399829	WASHER 8 (8,4x16x1,5)
3	*6618196	SUPPORT
4	*3010283	HANDLE D.25 M10
5	*3009557	1/4" CARRIAGE HOSE L=2700
6	*4399953	SCREW 10x16
7	*3009566	POLYGROOVED RUBBER 3mm 395x195
8	*7918195	S.554 FRAME
9	*2109519	BEAD BREAKING ARM PIN
10	*3001067	WASHER
11	* 4399302	SCREW 14x30 8.8
12	*7918194	ARM
13	*2409525	BRACKET
14	*4399966	SCREW M10x20 - 8.8
15	*4399945	VIS M16x100 8.8
16	*4399828	WASHER 16 (17x30x3)
17	*4399963	SELF-LOCKING NUT M16
18	*6609462	LONG CYLINDER D.50 C=600
19	*4199249	1/4" UNION NUT
20	*4399256	WASHER 1/4" D.13x19x1,5
21	*3009544	TOOL-HOLDER SHAFT
22	*2109517	CARRIAGE
23	3018643	CARRIAGE SLIDING SHOE
24	3019036	SCRAPER 20x20
25	*4399951	SCREW 10x35 8.8
26	*4399228	SCREW TE 10x25 8.8
27	*4399378	WASHER D.10 (10,5x21x2)

*** = Non Stock Items
Please, Contact Hennessy for Availability**

FRAME

TAV. 1

28	*4399967	NUT M10
29	*4398849	SCREW M10x16
30	*6618193	FOOTBOARD
31	*4297636	ROLLER D.48 L=500
32	*4399295	NUT M16
33	4299251	ROLLER
34	*4399192	SPLIT PIN D.4x36
35	*4399813	WASHER 20 (21x37x3)
36	*3001039	ROLLER
37	*6618140	TOOL-HOLDER
38	3000114	BEAD BREAKER SPRING
39	*2109539	HOOK
40	*3001031	CAM
41	*4397334	SCREW 18x65 8.8
42	*4399316	SELF-LOCKING NUT M18x1,5 H=18
43	*4399228	SCREW 10x25
44	*4399967	NUT M10
45	*4399323	ELASTIC PIN D.6x18
46	*3001030	LEVER
47	*3001028	CONNECTING ROD
48	*2009977	TOOL-HOLDER GROUP
49	*4199145	STUD BOLT 1/4"
50	*3009556	1/4" CARRIAGE HOSE L=2100
51	*4297550	PVC HANDLE D.28
52	*4399297	SCREW 8x130
53	3001038	SPRING
54	*3018125	EJECTEUR

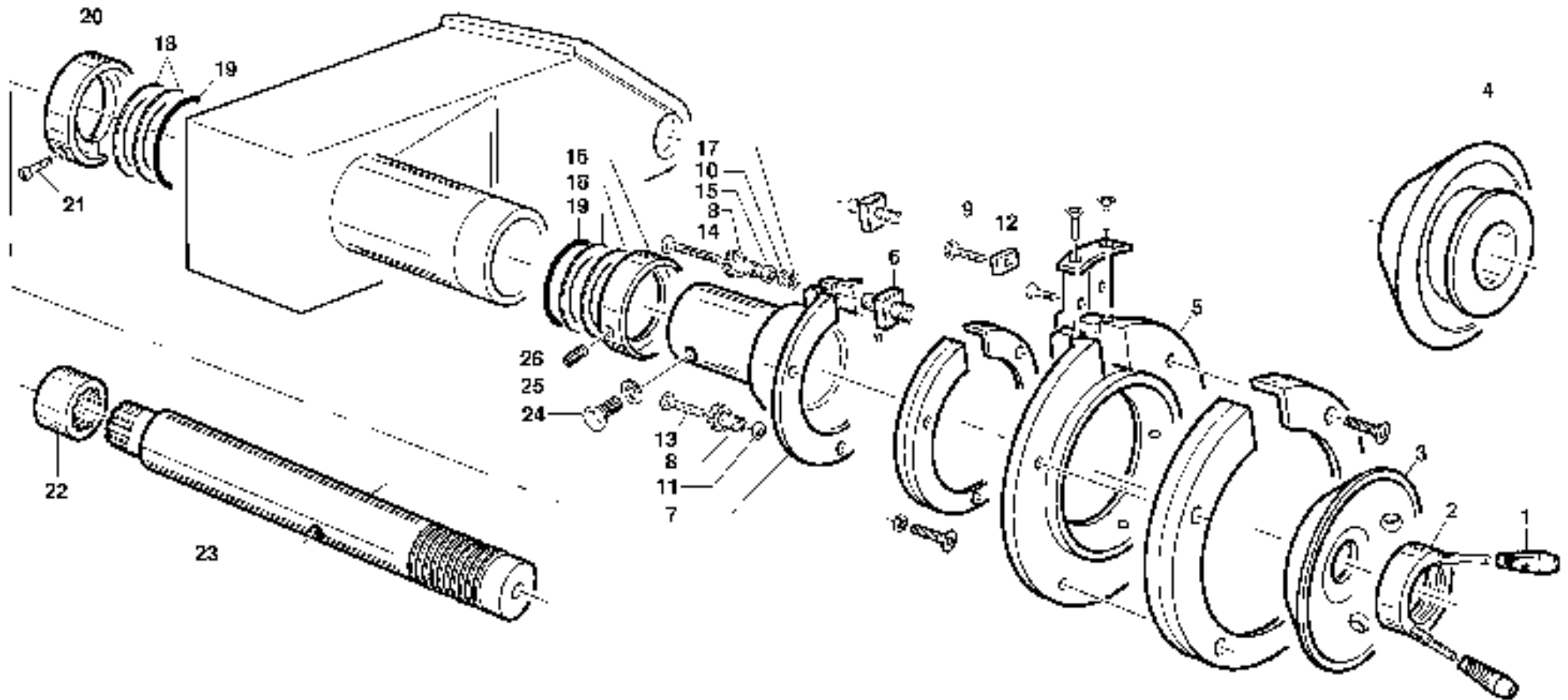
*** = Non Stock Items**
Please, Contact Hennessy for Availability

FRAME

TAV. 1

55	*4399903	WASHER 4 (4,5x12x1,5)
56	*4398945	SELF-TAPPING SCREW 4x12,6
57	*3001029	BOLT
58	*4399322	ELASTIC PIN D.8x32
59	3001040	SPRING
60	*4399321	ELASTIC PIN D.10x20

*** = Non Stock Items**
Please, Contact Hennessy for Availability

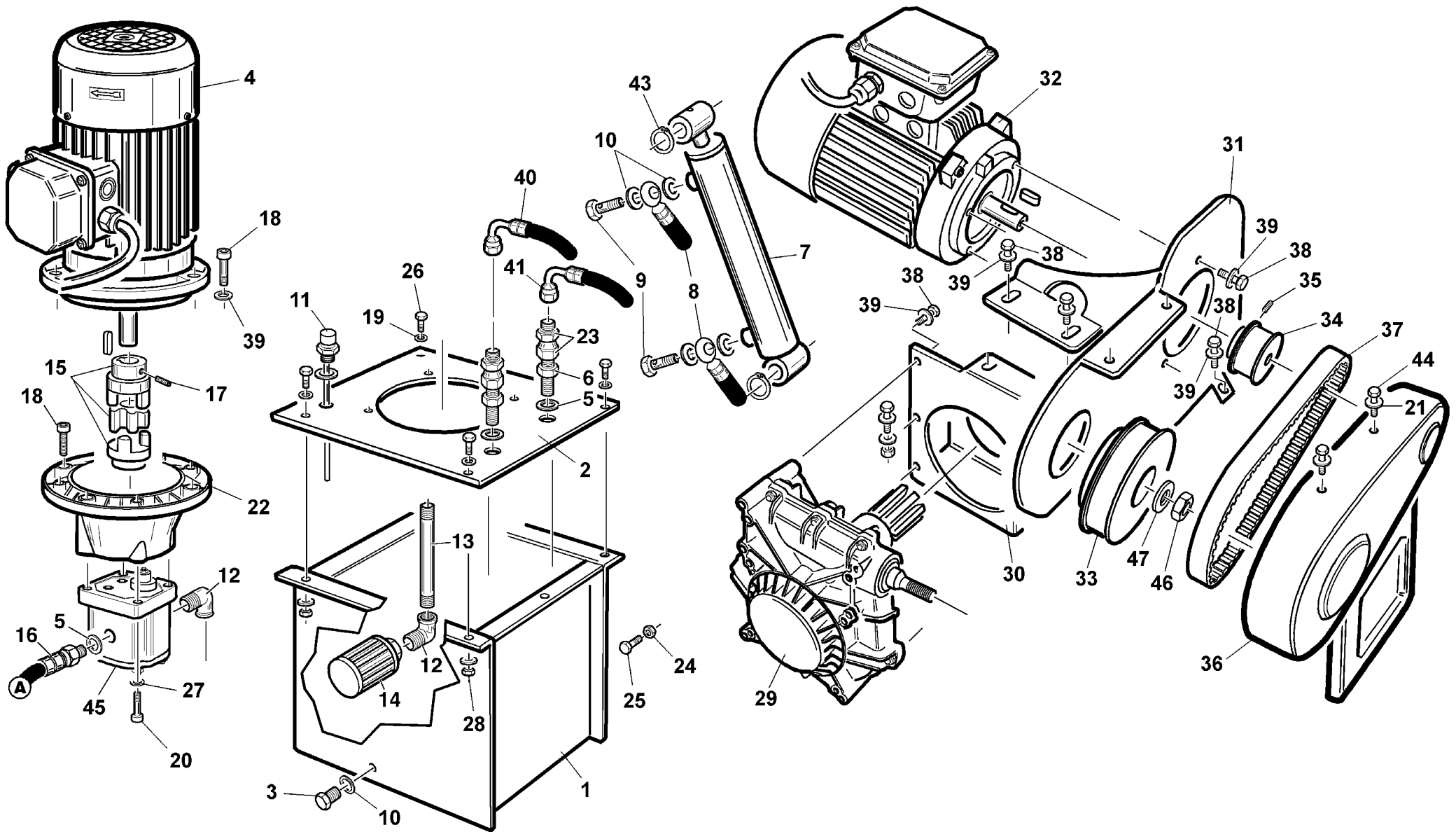


SELF-CENTERING CHUCK

TAV. 2

Ref	Code	Description
1	*4298972	KNOB
2	*2109538	WHEEL CHUCKING RING NUT
3	*3009541	OVERSIZE CONE D.200-300 ALUM.
4	*3009540	SMALL CONE D.95-210 - ALUMIN.
5	*3009542	FLANGE D.200-280 - ALUMINIUM
6	*3009543	DRIVE PIN
7	*2109521	CHUCK
8	*4294149	HANDWHEEL
9	*3018781	DRIVE PIN
10	*4398659	BELLEVILLE WASHER 12,2x28x1,5
11	*4399969	NUT M10
12	*2113879	FLANGE STIFFENER
13	*4399329	SCREW 10x40 8.8
14	*4398957	SCREW 10x60 8.8
15	*4399969	NUT M10
16	*3009523	CHUCK FRONT RING NUT
17	*4399378	WASHER D.10 (10,5x21x2)
18	*3001056	SPACER 81x105x0,5
19	*4297195	O-RING 181 (79,33x5,23)
20	*3009524	CHUCK REAR RING NUT
21	*4399956	SCREW 10x25 12.9
22	*3009629	GROOVED JOINT
23	*3009628	CHUCK SHAFT
24	*4399302	SCREW 14x30 8.8
25	*4398807	WASHER 14 (15x28x2,5)
26	*4399121	SCREW 6x6
27	*4399377	SCREW 10x30
28	*3018210	CHUCK FLANGE RUBBER PROTECTION
29	*3018209	CHUCK RUBBER PROTECTION
30	*4399971	SELF-LOCKING NUT M10
31	*4399837	SCREW 8x20

*** = Non Stock Items
Please, Contact Hennessy for Availability**



ELECTRIC MOTOR AND HYDRAULIC POWER UNIT

TAV. 3

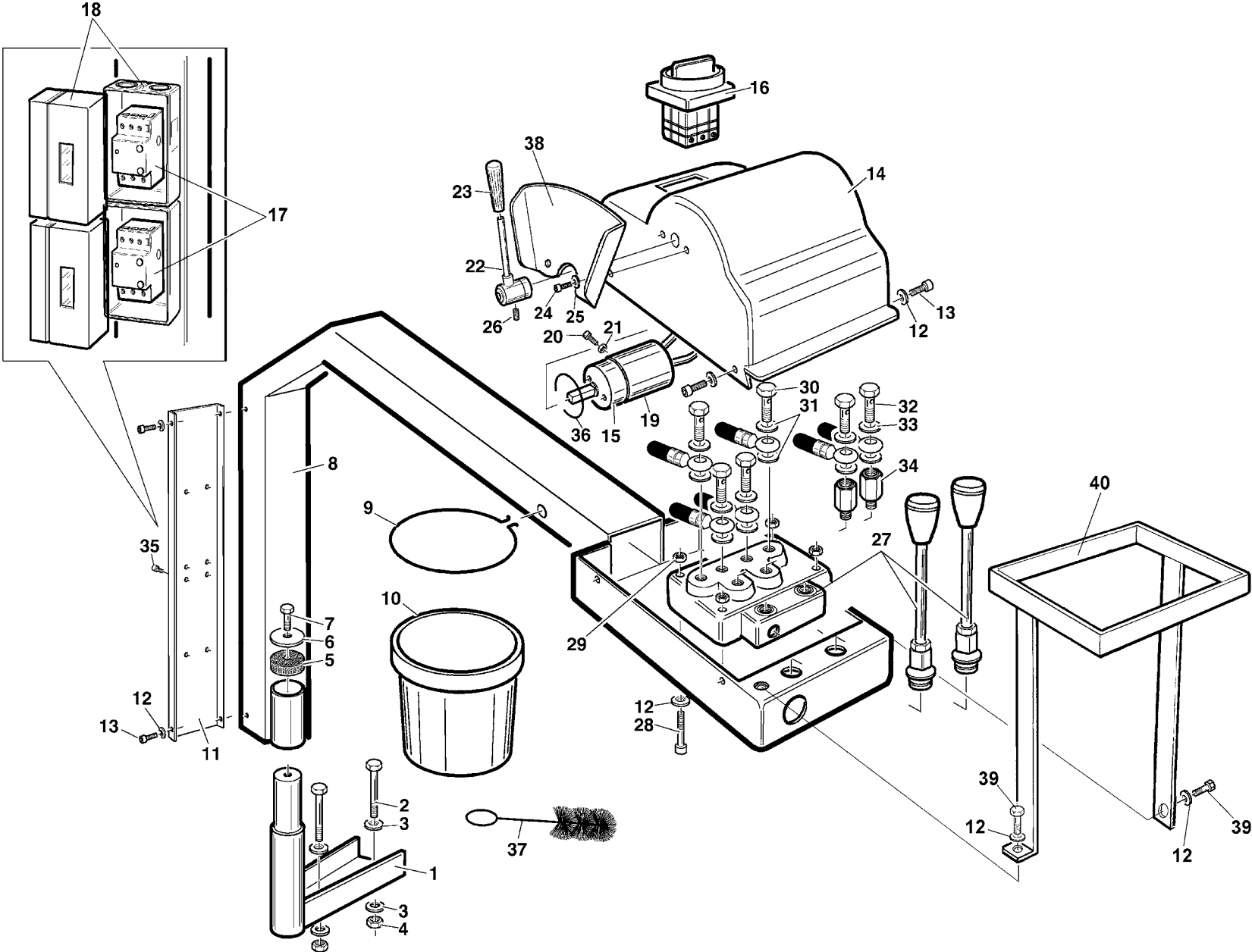
Ref	Codart	Description
1	*6618202	TANK
2	*6618204	TANK COVER
3	*4196472	MALE PLUG 1/4"
4	*4594305	MOTOR 3PH 200-240/345-415V.50/60HZ B5
5	*4198598	COPPER WASHER 3/8" 17x23x1,5
6	*4197600	UNION 3/8"
7	*6609461	CYLINDER D.50 C=250
8	*3009558	HOSE 1/4" L=2800
9	*4199250	UNION BOLT 1/4"
10	*4399256	COPPER WASHER 1/4" D.13x19x1,5
11	*3010651	OIL LEVEL PLUG 1/2" L=180
12	*4197240	90" UNION MF 3/8"
13	*4197239	SPACER 3/8"
14	*4197241	OIL FILTER
15	*4197873	ELASTIC JOINT D.24
16	*3009760	HOSE 3/8" L=340
17	*4399121	SCREW 6x6
18	*4399956	SCREW 10x25
19	*4399829	WASHER 8 (8,4x16x1,5)
20	*4399299	SCREW 6x30
21	4398848	WASHER 6 (6,6x18x1,5)
22	*4197872	FLANGE GR.80 D.200 HL5L
23	*4197621	UNION 3/8"
24	*4399969	NUT M10
25	*4399786	SCREW 10x30
26	*4399827	SCREW 8x20
27	*4399998	WASHER 6 (6,4x12x1,6)
28	*4399976	NUT M8

*** = Non Stock Items**
Please, Contact Hennessy for Availability

ELECTRIC MOTOR AND HYDRAULIC POWER UNIT**TAV. 3**

29	2010985	REDUCTION GEAR
30	*6609531	SUPPORT
31	*6618198	MOTOR SUPPORT
32	*4594306	MOTOR 3PH 208-230V.50/60HZ Kw.1,1 B14 CSA
33	*3199596	GEARBOX PULLEY
34	*3003444	MOTOR PULLEY
35	4398826	SCREW 10x20
36	*3018181	BELT PROTECTIVE CASE
37	4294184	MEGADYNE BELT
38	*4399228	SCREW 10x25
39	*4399378	WASHER D.10 (10,5x21x2)
40	*3018173	EXHAUST PIPE 1/4" L=3000
41	*3018172	CONNECTING PIPE 1/4" L=3000
42	*4399969	NUT M10
43	*4399979	SEEGER RING D.30
44	*4398723	SCREW 6x12
45	*4197253	PUMP
46	*4396941	NUT M14
47	*4398802	NUT M14

*** = Non Stock Items**
Please, Contact Hennessy for Availability



CONTROL DEVICE**TAV. 4**

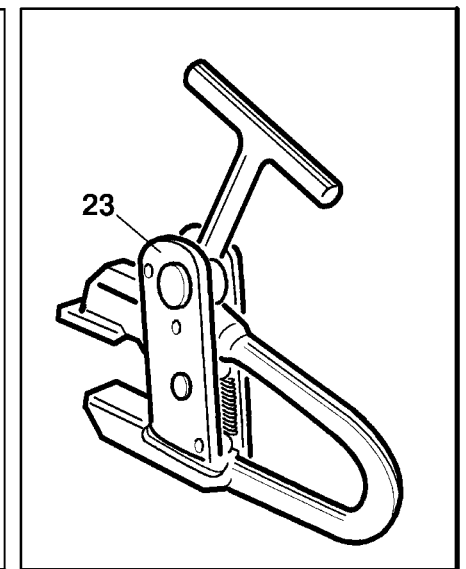
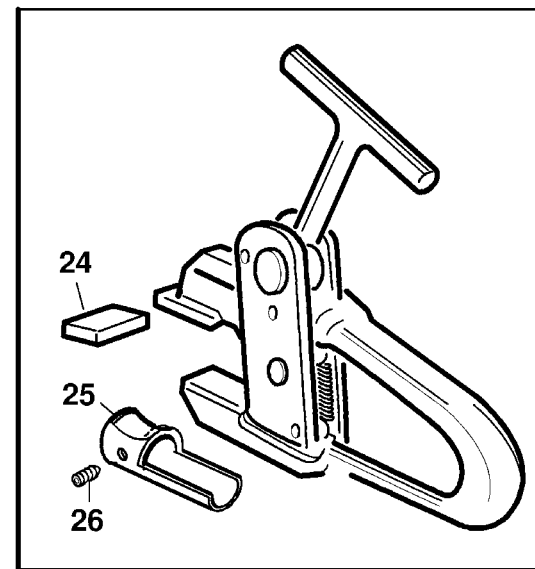
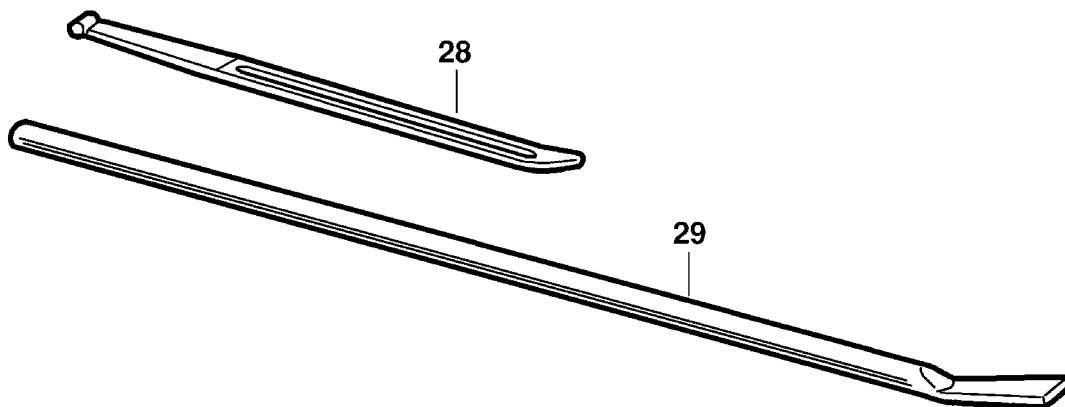
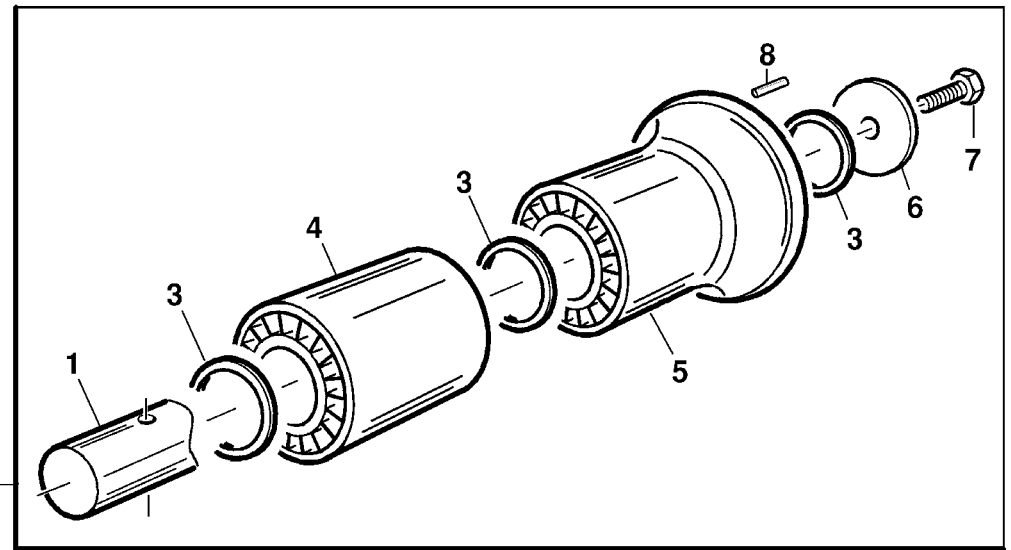
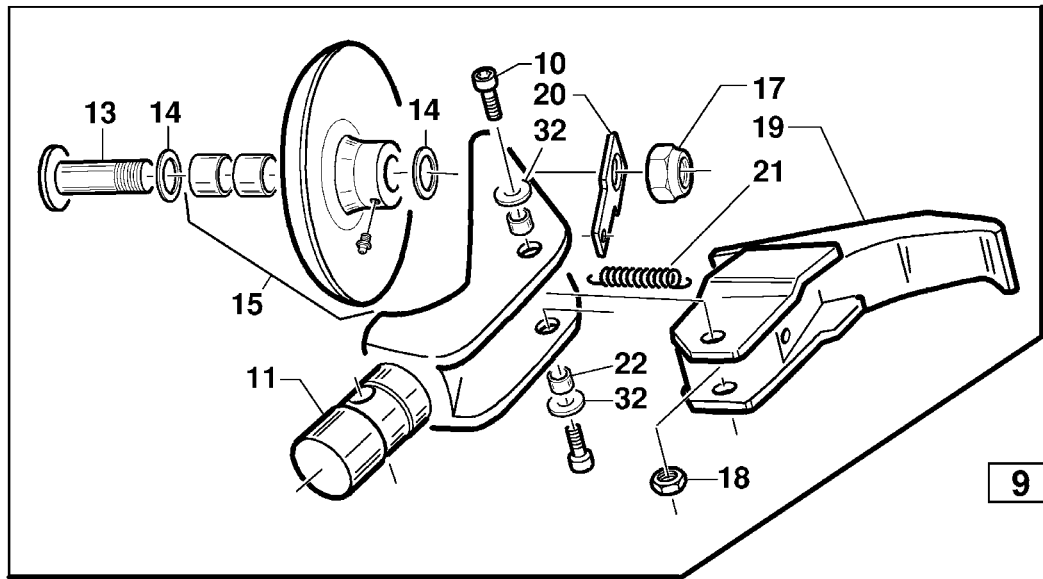
Ref	Codart	Description
1	*6609533	CONTROL ARM SUPPORT
2	*4399329	SCREW 10x40 8.8
3	*4399378	WASHER D.10 (10,5x21x2)
4	*4399969	NUT M10
5	*3002601	MOUNTING HEAD SHOCK ABSORBER
6	*3002311	WASHER D.10x45x4
7	*4399228	SCREW TE 10x25 8.8
8	*6609534	CONTROL ARM
9	*3000069	CUP RING
10	*4299984	GREASE CUP
11	*6609781	CONTROL ARM COVER
12	*4399998	WASHER 6 (6,4x12x1,6)
13	*4399300	SCREW M6x12 8.8
14	*3009537	CONTROLS COVER
15	4595327	20A INVERSER
16	4597862	ISWITCH 3x12A
17	4594177	CIRCUIT BREAKER
18	*4597276	OVERLOAD CUTOOUT CASE
19	*3000174	REVERSER COVER
20	*4399885	SCREW TC 4x25
21	*4399996	NUT M4 6S
22	*6609973	REVERSER CONTROL LEVER
23	*4297981	KNOB
24	*4397178	SCREW 3x10 12.9
25	*4399903	WASHER 4 (4,5x12x1,5)
26	*4399121	SCREW 6x6
27	*4197349	HYDRAULIC DISTRIBUTION UNIT

*** = Non Stock Items**
Please, Contact Hennessy for Availability

CONTROL DEVICE**TAV. 4**

28	*4398620	SCREW 6x45 8.8
29	*4399889	NUT M6
30	*4197330	3/8" UNION NUT
31	*4198598	COPPER WASHER 3/8" 17x23x1,5
32	*4199249	1/4" UNION NUT
33	*4399256	WASHER 1/4" D.13x19x1,5
34	*4199145	STUD BOLT 1/4"
35	*4398904	SCREW TSP 4x25 4.8
36	*3001976	PLASTIC RING
37	*3199628	BRUSH
38	*6611746	LEVER COVER
39	*4399229	SCREW TE M6x45 8.8
40	*6611747	LEVER COVER

*** = Non Stock Items
Please, Contact Hennessy for Availability**



ACCESSORIES & OPTIONS

TAV. 5

Rif	Code	Description
1	*3018113	ROLLER FULCRUM SPIN
3	*4394647	STEEL SHIM 52x65x1 DIN 988
4	*3018066	TYRE SUPPORT
5	*3018067	BEAD BREAKING ROLLER
6	*3018119	WASHER
7	*4399302	SCREW 14x30
8	*4399880	SCREW 10x40
9	*9209546	211/99 ROLLER FOR TUBELESS TYR
10	*4397504	SCREW TCEI 12x30 12.9
11	*2110827	SUPPORT
12	*3010893	BEAD BREAKING DISK BUSH
13	*3010831	PIN
14	*4396915	RING 41x52Ex0,5 (3)
15	*2019102	BEAD BREAKING DISK
16	*4399207	LUBRICATOR M6
17	*4396916	SELF-LOCKING NUT 27x3
18	*4398657	LOW NUT M12 UNI 5589
19	*2110836	SHORT TOOL
20	*3010841	SPRING CONNECTION
21	3001266	SPRING
22	*3000108	CONNECTING ROD SPACER D.12x18x11
23	*2001059	PLIER
24	*3001304	BLOCK
25	*3001303	LOWER COUPLING
26	*4399121	SCREW 6x6
28	*3001061	SHORT TYRE LEVER
29	*6601002	LONG BEAD LIFTING LEVER
31	*4296497	O-RING 144 D.39,69x3,53
32	*4396878	STEEL SHIM 12x25x0,5

*** = Non Stock Items**
Please, Contact Hennessy for Availability

COATS®

HENNESSY Industries, INC
1601 J.P. Hennessy Drive, LaVergne, TN 37086-3565 USA
37086 - 3565 USA Toll Free 800-688-6496
www.ammcoats.com