

COATS®

APX80A/APX80E APX90A/APX90E

Rim Clamp® Tire Changer

For servicing single piece automotive and most light truck tire/wheel assemblies



*APX90 Shown

Parts Identification

READ these instructions before placing unit in service. KEEP these and other materials delivered with the unit in a binder near the machine for ease of reference by supervisors and operators.

HENNESSY INDUSTRIES, INC.

1601 J. P. Hennessy Drive, LaVergne, TN USA 37086-3565 615/641-7533 800/688/6359 www.ammcoats.com
HENNESSY INDUSTRIES INC. Manufacturer of AMMCO®, COATS® and BADA® Automotive Service Equipment and Tools.

Manual Part No.: 85000225 34
Revision: 04/09

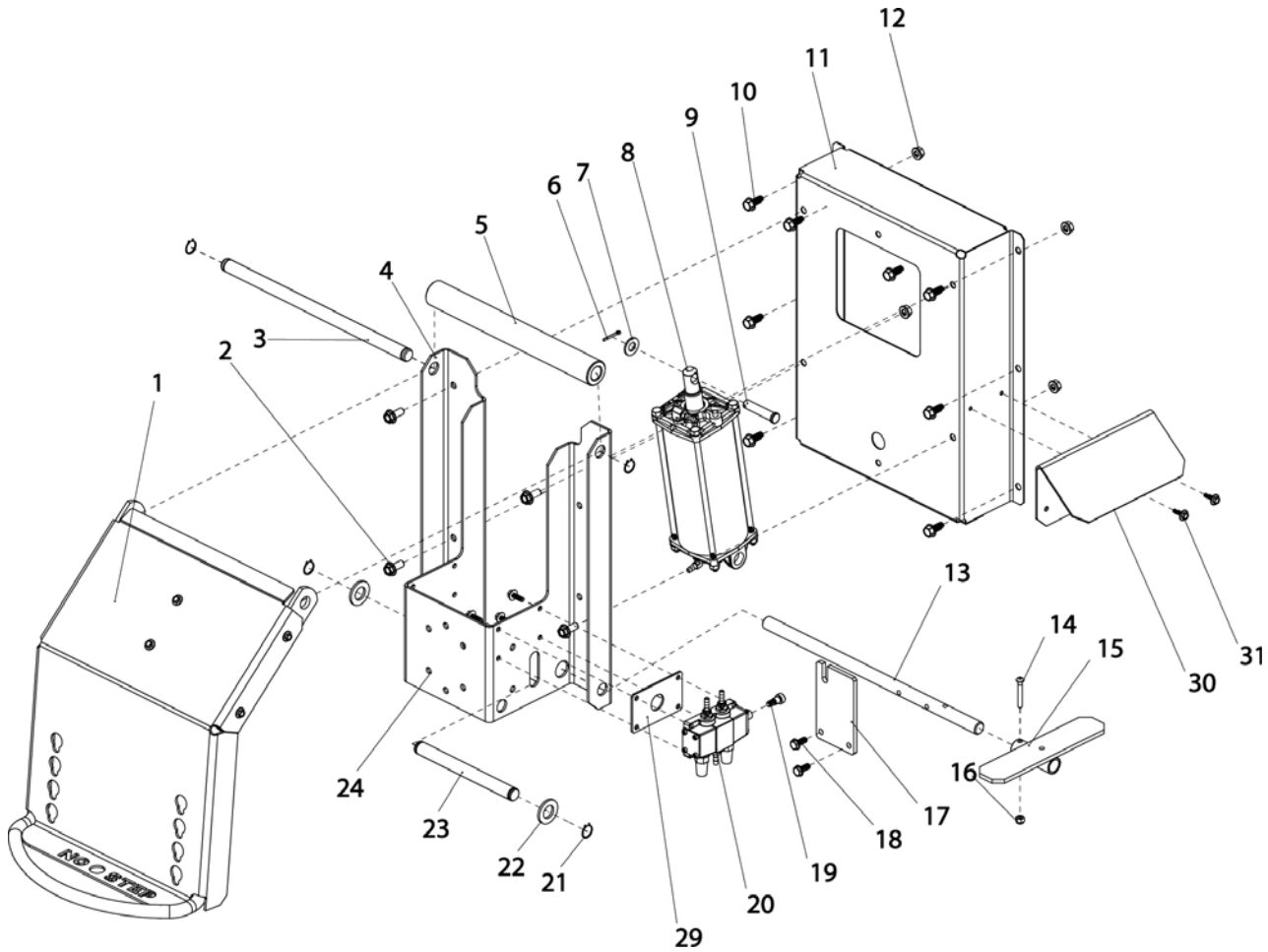
Parts Identification

The following pages include parts breakdowns with exploded view illustrations to help with ordering replacement or spare kits. Assemblies are noted where it is recommended that individual parts not be ordered separately. Note that the parts view illustrations are for multiple models and not all parts shown are on all models. Every effort is made to supply accurate exploded views, however, due to interim changes in manufacturing operations, some units may not be exactly as illustrated.

Table of Contents

Lift Assembly (If equipped).....	4
Chassis Assembly	5
Foot Pedal Assembly (Air)	6
Foot Pedal Assembly (Elec.)	7
Table Top Assembly	8
Shaft Housing Assembly.....	9
BL Arm Assembly	10
Horizontal/Vertical Slide Assembly	11
Pressure & Inflation Bracket Assemblies	12 - 13
Tilt Tower Assembly 1	14 - 15
Tilt Tower Assembly 2	16 - 17
Robo Arm Assembly	18
Robo Roller Arm Assembly (If equipped)	19
Cylinder Assemblies	20 - 21
Valve Assemblies	22 - 23
Pneumatic Diagram.....	24 - 25
Electric Schematic	26

Lift Assembly (If equipped)



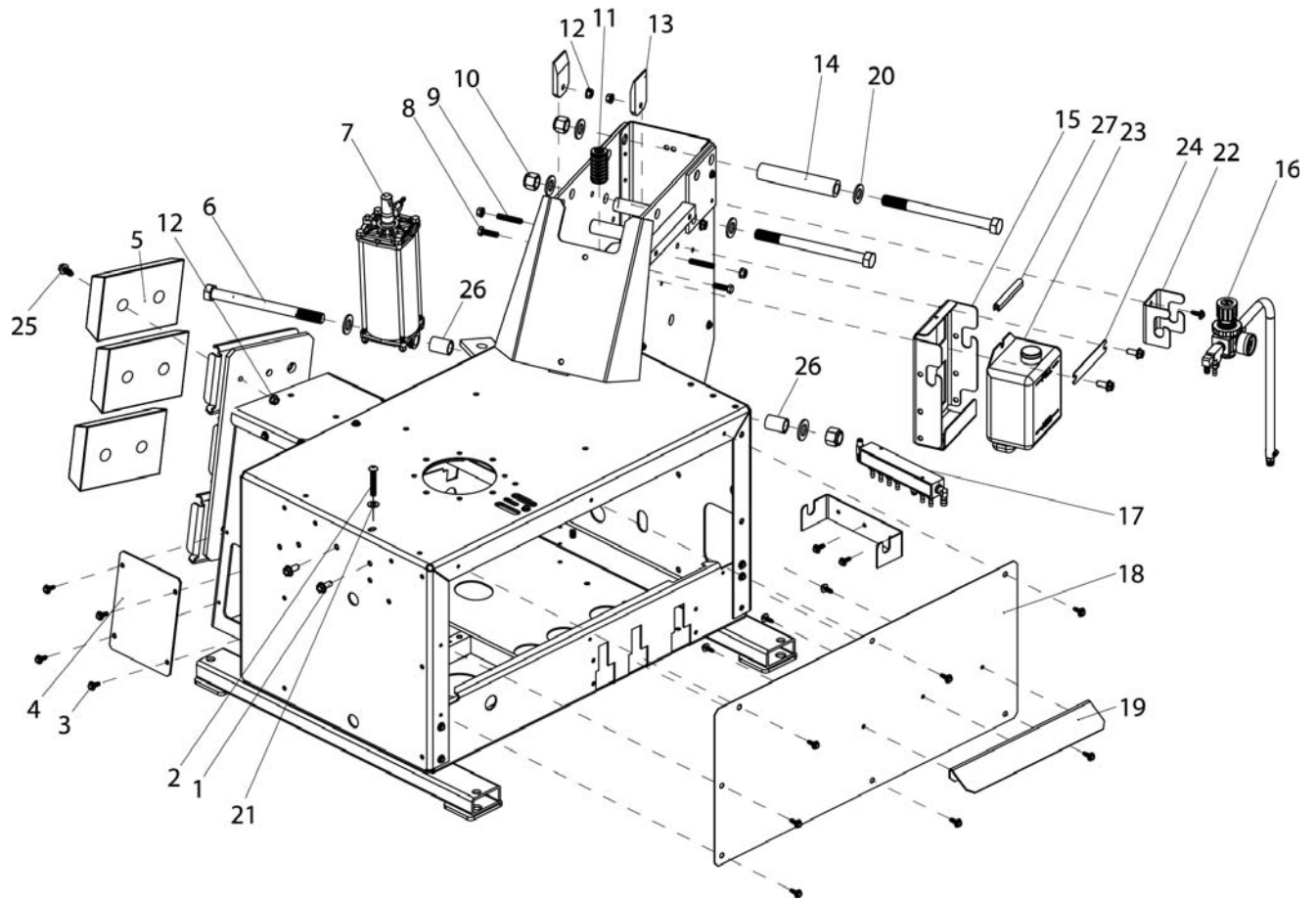
Item	Part No.	Description
1	8184793	Lift
2	8106302	3/8" Whiz Lock Screw, Gr.5
3	8185631	Lift Shaft
4	8184794	Cylinder Mount Channel
5	8184948	Lift Spacer
6	8102278	1/8 x 1" Cotter Pin
7	903214	1/2" Flat Washer
8	85000334	Lift Cylinder Assembly
9	8120129	2 1/4" x 1/2" Clevis Pin
10	8102459	Self Tapping Bolt
11	8185767	Lift Mount Bracket
12	8106303	Whiz Lock Nut, Gr.5
13	8184879	Lift Arm Pedal
14	8184321	1/4-20 X 1.75 BHCS
15	8184896	Lift Foot Pedal
16	8181369	0.250-20, Nylock Hex Nut
17	8184880	Lift Bar Pedal
18	7109503	5/16-18 X 3/4 WHC Screw
19	8301016	3/8" X 3/8" X 5/16"-18" Shoulder Bolt
20	***	Lift Valve Assembly

Item	Part No.	Description
21	903174	Retaining Ring
22	8182457	3/4" SAE Washer
23	8184882	Tilt & Lift Cylinder Shaft
24	8184794	Cylinder Mount Bottom Channel
29	85000607	Valve Block Spacer
30	85000643	Pedal Guard
31	8106301	1/4" Hex Hd Self Tap Screw, Gr.5

** See Cylinder Assemblies pgs. 20 - 21

*** See Valve Assemblies pgs. 22 - 23

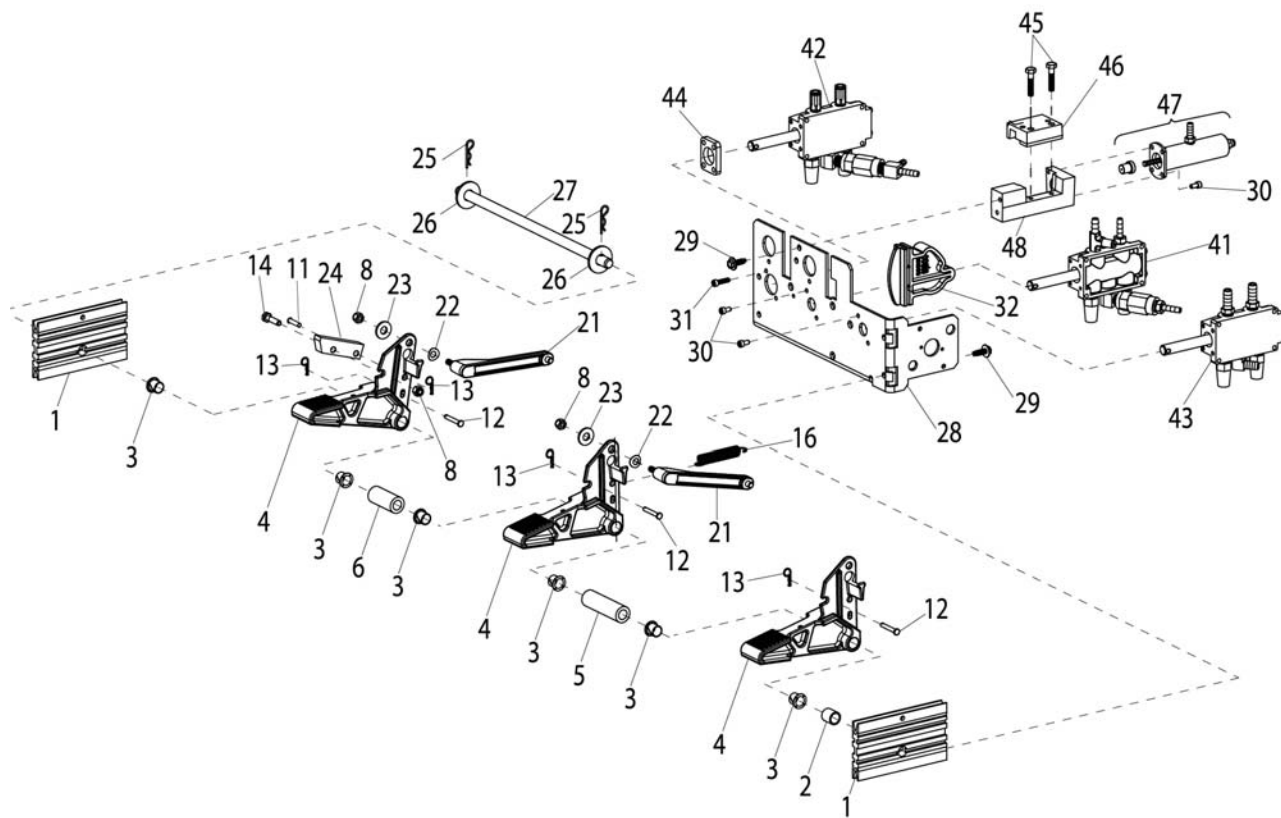
Chassis Assembly



Item	Part No.	Description	Item	Part No.	Description
1	8106302	3/8" Whiz Lock Screw, Gr.5	16	85008981	Reg/Gauge Assembly
2	85000318	3/8-16 x 2-1/4 BHCS Screw	17	85000082	Manifold Kit w/Fittings
3	8106301	1/4" Hex Hd Self Tap Screw, Gr.5	18	8185532	Side Cover
4	85000260	Front B.L. Cover	19	8184929	Std. Pedal Covers
5	8181855	B.L. Center Pad	20	8182457	3/4" SAE Washer
6	8182126	Hex Head Bolt	21	8112310	0.406 ID x 0.812 x .065 Washer
7	**	Tilt Tower Cylinder Assembly	22	85000749	Pressure Regulator Bracket
8	8107715	3/8-16 x 1-1/4 HHCS , Gr.8.8	23	8185629	Tank Reservoir w/Cap
9	8180102	3/8-16 x 2" Set Screw	24	85008982	Hold Down Reservoir Bar
10		3/4-10 UNC Lock Nut	25	8102459	HWHSTCS, 3/8-16X.860 Screw
11	85000006	Med. High Press Spring	26	85000289	Steel Tube Spacer, 1" OD x .761 ID
12	8106303	Whiz Lock Nut, Gr.5	27	8107732	4" Trim Edge
13	8184874	Tilt Tower Guide Plate			
14	85000122	Cushion Hose 0.780 x 1.25			
15	8183770	Filter/Lube Bracket			

**** See Cylinder Assemblies pgs. 20 - 21**

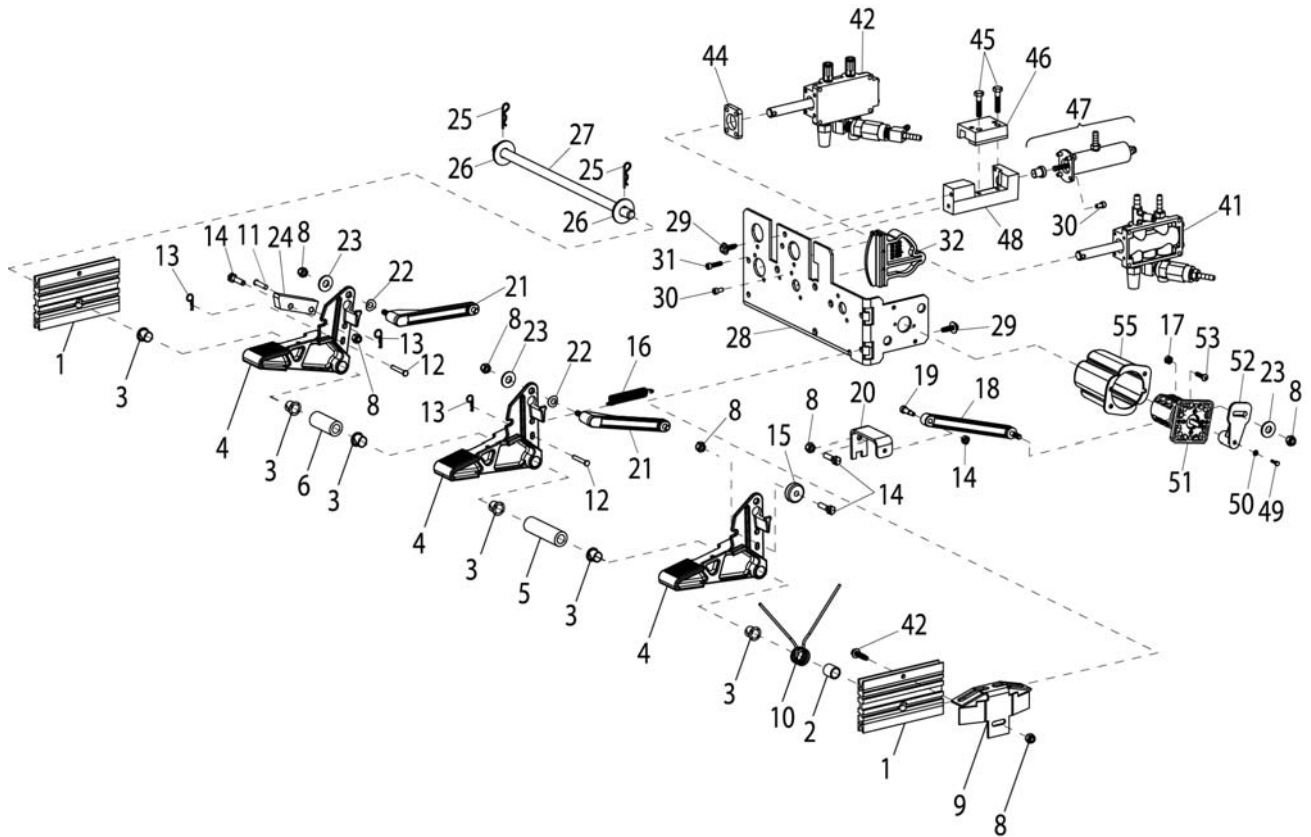
Foot Pedal Assembly (Air)



Item	Part No.	Description	Item	Part No.	Description
1	8181918	Bar-Valve Brkt. Spacer	16	8181708	Extension Spring, Pedal
2	8181872	Sleeve-Torsion Spring	17	8182682	10-24 Nylon Insert Lock Nut Gr.5
3	8181948	Bearing-Nyliner, 1/2"	18	8181699	Lever Assembly - Switch
4	8181675	Pedal, Standard	19	8182743	10-24 x 3/8 SHCSS, Gr.8
5	8182327	Pedal Spacer	20	8182363	Spacer - Sw Pedal Lever-Red
6	8181911	Spacer-Pedal	21	85010038	Lever-Cam Follower
8	8181369	1/4-20 Nylon Insert Lock Nut Gr.5	22	8181981	Wave Washer, 5/16" I.D.
9	8182670	Spring Stop Bracket	23	8107635	5/16" Flat Washer
10	8181707	Torsion Spring	24	85606355	Pedal Stop
11	8106455	Clevis Pin	25	8111609	Cotter, Hair Pin
12	8181977	Clevis Pin 3/16" x 1-1/2"	26	8301121	Washer
13	8120469	Hair Pin Cotter	27	8183398	Pedal Shaft
14	8181984	Hx.Hd.Cp.Scr., 1/4-20 x 1", Gr.5	28	85606356	Switch Valve Bracket
15	8181923	Washer - Stop			

*** See Valve Assemblies pgs. 22 - 23

Foot Pedal Assembly (Elec.)



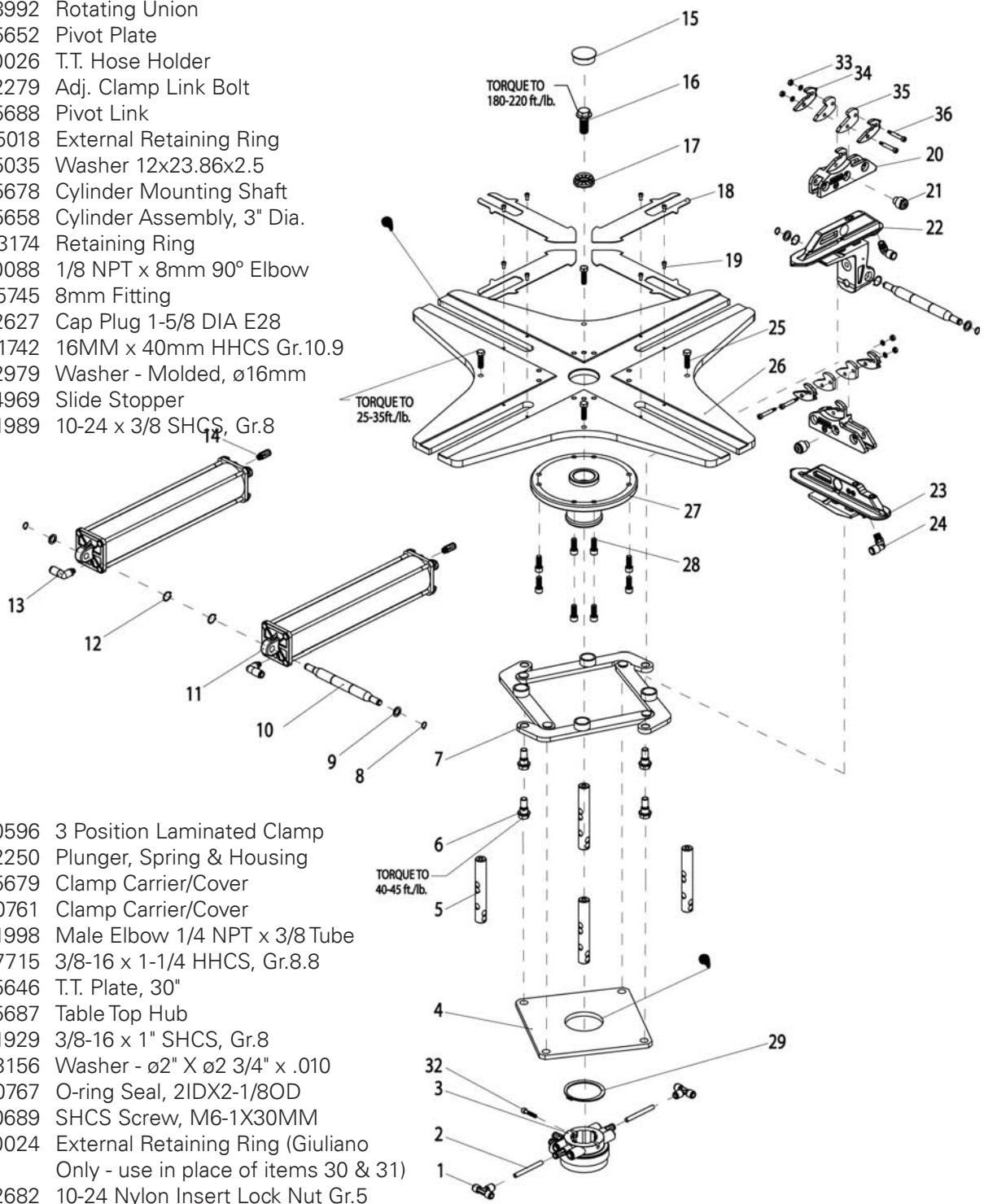
Item	Part No.	Description
29	8106301	1/4" Hex Hd Self Tap Screw, Gr.5
30	8181989	10-24 x 3/8 SHCS, Gr.8
31	8182001	10-24 x 3/4 SHCS
32	8181695	Cam Mounting Block
41	***	Tilt Tower Pedal Valve Assembly
42	***	Table Top Clamp Pedal Valve Assy
43	***	Air Motor Pedal Valve Assembly
44	85009982	Spacer-Valve, Clamp TT
45	8120321	1/4-20 x 1.25 HHCS Gr.5
46	85009984	Upper Stop Pedal Block
47	8184675	Oil Injector Assembly
48	85010035	Block-Lower Stop Pedal
49	8181982	3MM x 12mm HHCS Gr.5

Item	Part No.	Description
50	8301072	#6 Internal Tooth Lk Washer
51	8182957	Reversing Switch
	81827336	Switch Assembly, 120V 60Hz
	81827337	Switch Assembly, CSA ONLY
	81827339	Switch Assembly, 220V, 50Hz
52	8181728	Lever - Switch Actuator
53	8181983	10-24 x 3/4 Lg. BHSCS
55	8181959	Switch Cover
56	85007776	Circuit Breaker - 220 V 50Hz
	8181587	Circuit Breaker - 15 AMP
	8184376	Circuit Breaker - 25 AMP

*** See Valve Assemblies pgs. 22 - 23

Table Top Assembly

Item	Part No.	Description
1	85000084	Union Tee Fitting, 8MM
2	85000097	8MM x 3" Tube
3	84298992	Rotating Union
4	8185652	Pivot Plate
5	85000026	T.T. Hose Holder
6	8182279	Adj. Clamp Link Bolt
7	8185688	Pivot Link
8	8185018	External Retaining Ring
9	8185035	Washer 12x23.86x2.5
10	8185678	Cylinder Mounting Shaft
11	8185658	Cylinder Assembly, 3" Dia.
12	903174	Retaining Ring
13	85000088	1/8 NPT x 8mm 90° Elbow
14	8185745	8mm Fitting
15	8182627	Cap Plug 1-5/8 DIA E28
16	8181742	16MM x 40mm HHCS Gr.10.9
17	8182979	Washer - Molded, ø16mm
18	8184969	Slide Stopper
19	8181989	10-24 x 3/8 SHCS, Gr.8



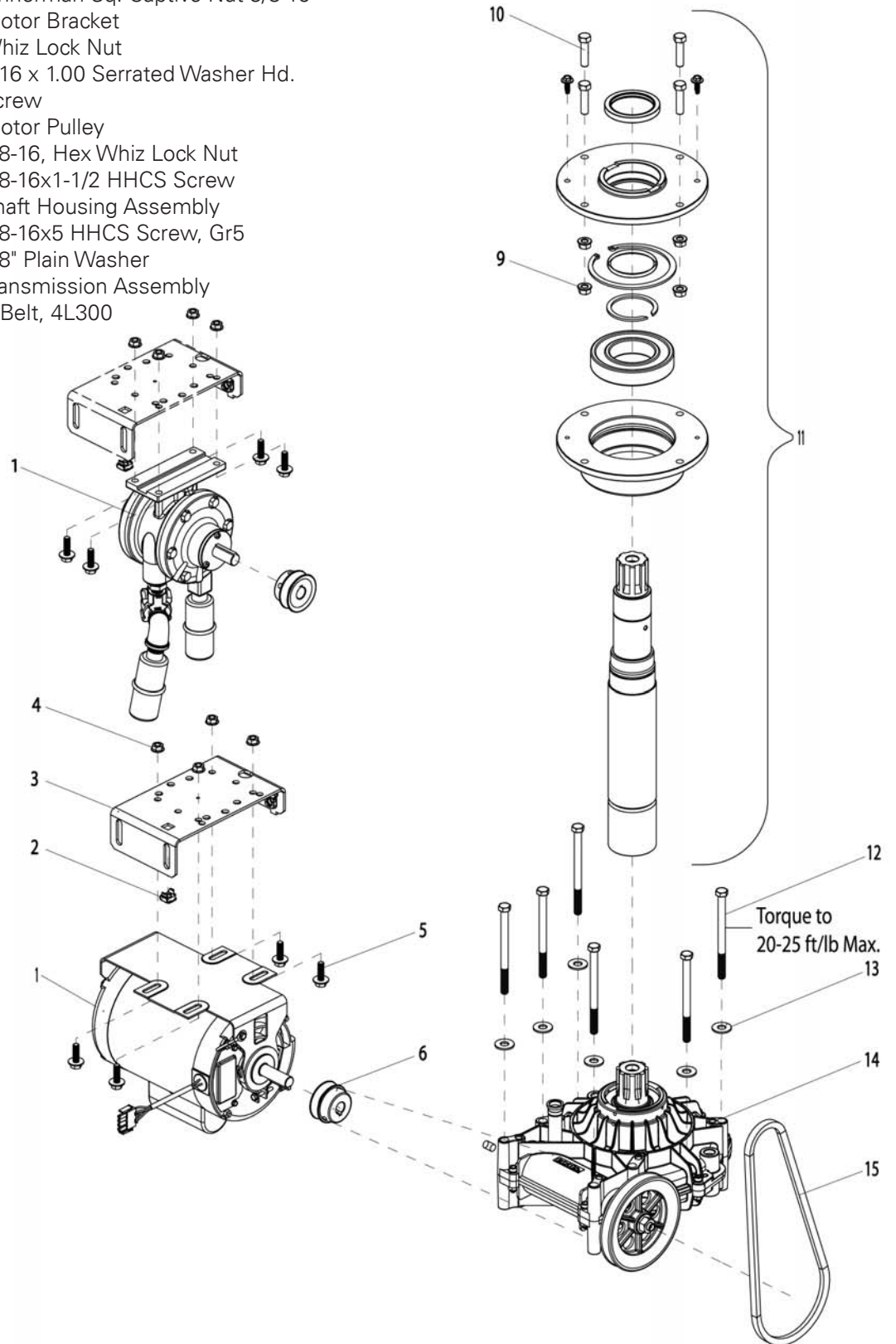
20	85000596	3 Position Laminated Clamp
21	8182250	Plunger, Spring & Housing
22	8185679	Clamp Carrier/Cover
23	85000761	Clamp Carrier/Cover
24	8181998	Male Elbow 1/4 NPT x 3/8 Tube
25	8107715	3/8-16 x 1-1/4 HHCS, Gr.8.8
26	8185646	T.T. Plate, 30"
27	8185687	Table Top Hub
28	8181929	3/8-16 x 1" SHCS, Gr.8
30	*8183156	Washer - ø2" X ø2 3/4" x .010
31	*85000767	O-ring Seal, 2IDX2-1/8OD
32	940689	SHCS Screw, M6-1X30MM
29	85000024	External Retaining Ring (Giuliano Only - use in place of items 30 & 31)
33	8182682	10-24 Nylon Insert Lock Nut Gr.5
34	85000595	3 Position Laminated Clamp Cover
35	85000594	Laminated Clamp Grip
36	85000610	Shoulder Screw, 1/4 x 1-1/4 x #10-24
37	85000763	Y-fitting, 3/4 Barb x 12MM Hose
38	*85606409	Table Top Cylinder Seal Kit (Piston, O-rings, Scraper)

APPLY GREASE TO THESE LOCATIONS

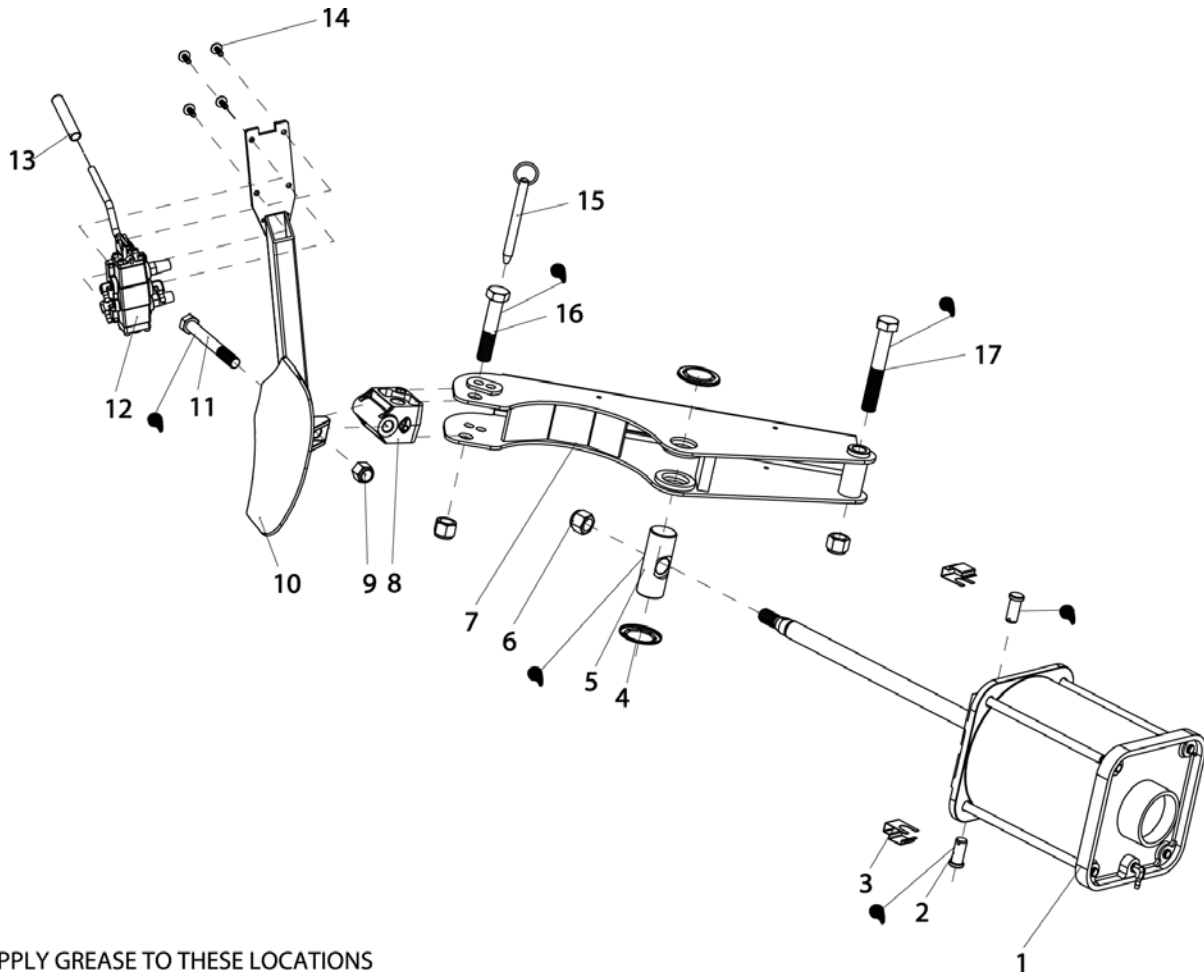
* Not Shown

Shaft Housing Assembly

Item	Part No.	Description
1	85000287	Motor, 2 HP, 110V, 60Hz
	8181190	Air Motor, Gast. 6AM
	85000825	Motor, 220V, 50Hz
2	8143044	Tinnerman Sq. Captive Nut 3/8-16
3	8184859	Motor Bracket
4	8182178	Whiz Lock Nut
5	8120325	5/16 x 1.00 Serrated Washer Hd. Screw
6	8181204	Motor Pulley
9	8106303	3/8-16, Hex Whiz Lock Nut
10	85009161	3/8-16x1-1/2 HHCS Screw
11	8185513	Shaft Housing Assembly
12	85000237	3/8-16x5 HHCS Screw, Gr5
13	8301032	3/8" Plain Washer
14	8185546	Transmission Assembly
15	85000118	V Belt, 4L300



BL Arm Assembly



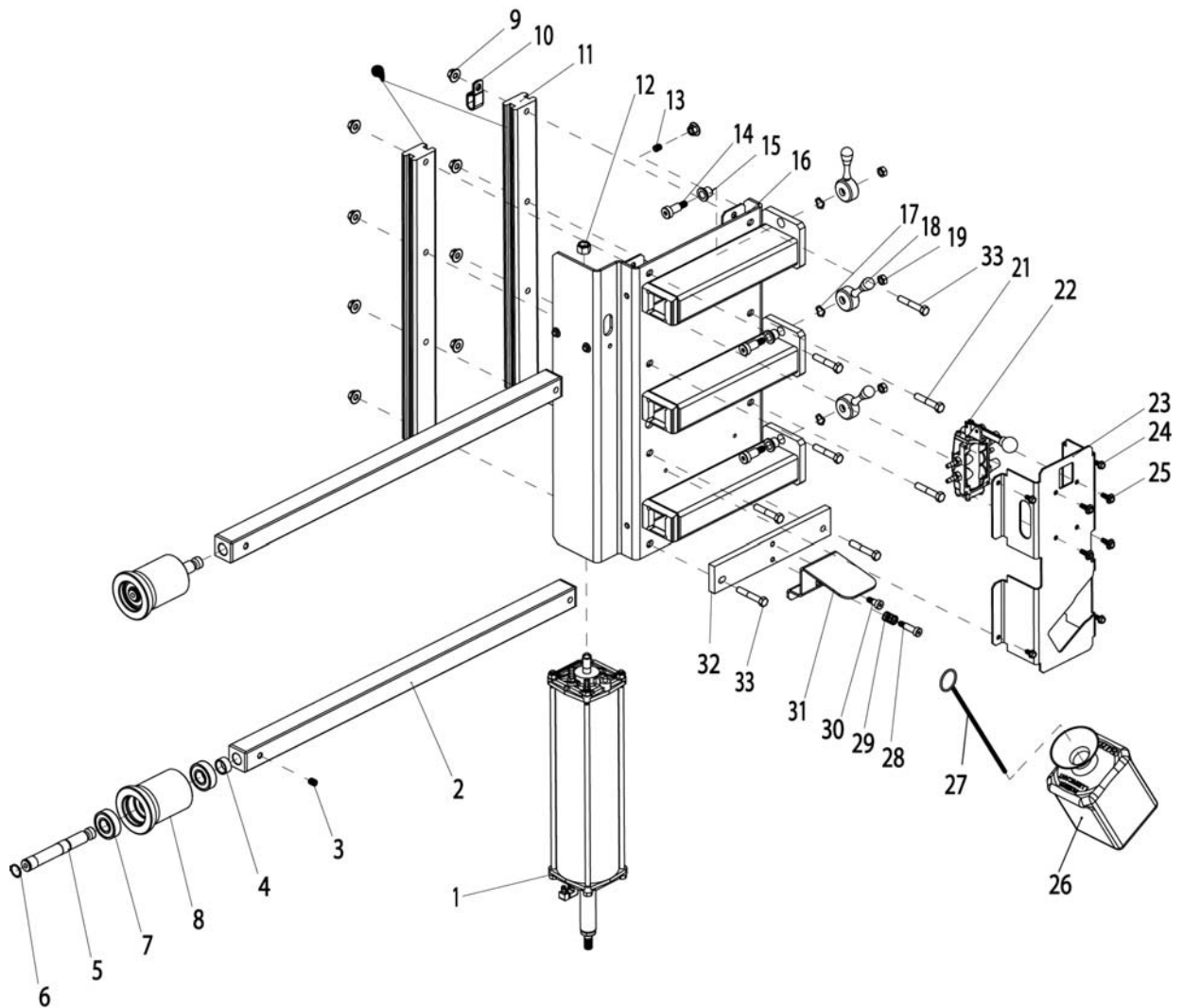
🔧 APPLY GREASE TO THESE LOCATIONS

Item	Part No.	Description
1***		B.L. Arm Cylinder Assembly
2	8181949	5/8 x 1-3/8 Clevis Pin
3	8181912	Clevis Clip
4	8109945	Retainer Washer, 1.500
5	8185634	B.L. Cylinder Rod Pivot Pin
6	8182016	3/4"-10 Nylon Insert Lock Nut, Gr.5
7	8182002	B.L. Arm
8	8181951	B.L. Shoe Pivot Bracket
9	8182043	5/8-11 Nylon Insert Lock Nut Gr.5
10	8184797	Bead Loosener Assembly
11	8182011	5/8-11 x 5" Hex Hd Cap Scr, Gr.5
12	***	B.L. Arm Valve Assembly
13	7000230	Rubber Hand Grip, 1/2"
14	8143168	1/4-20 x 3/4" HHCS, Whiz Lock
15	8120326	Hitch Pin, ø1/2"
16	8182009	3/4-10 x 3 3/4" HHCS
17	8182579	3/4-10 x 5 Hex Hd. Cap Scr, Gr.5

** See Cylinder Assemblies pgs. 20 - 21

*** See Valve Assemblies pgs. 22 - 23

Horizontal Slide Assembly

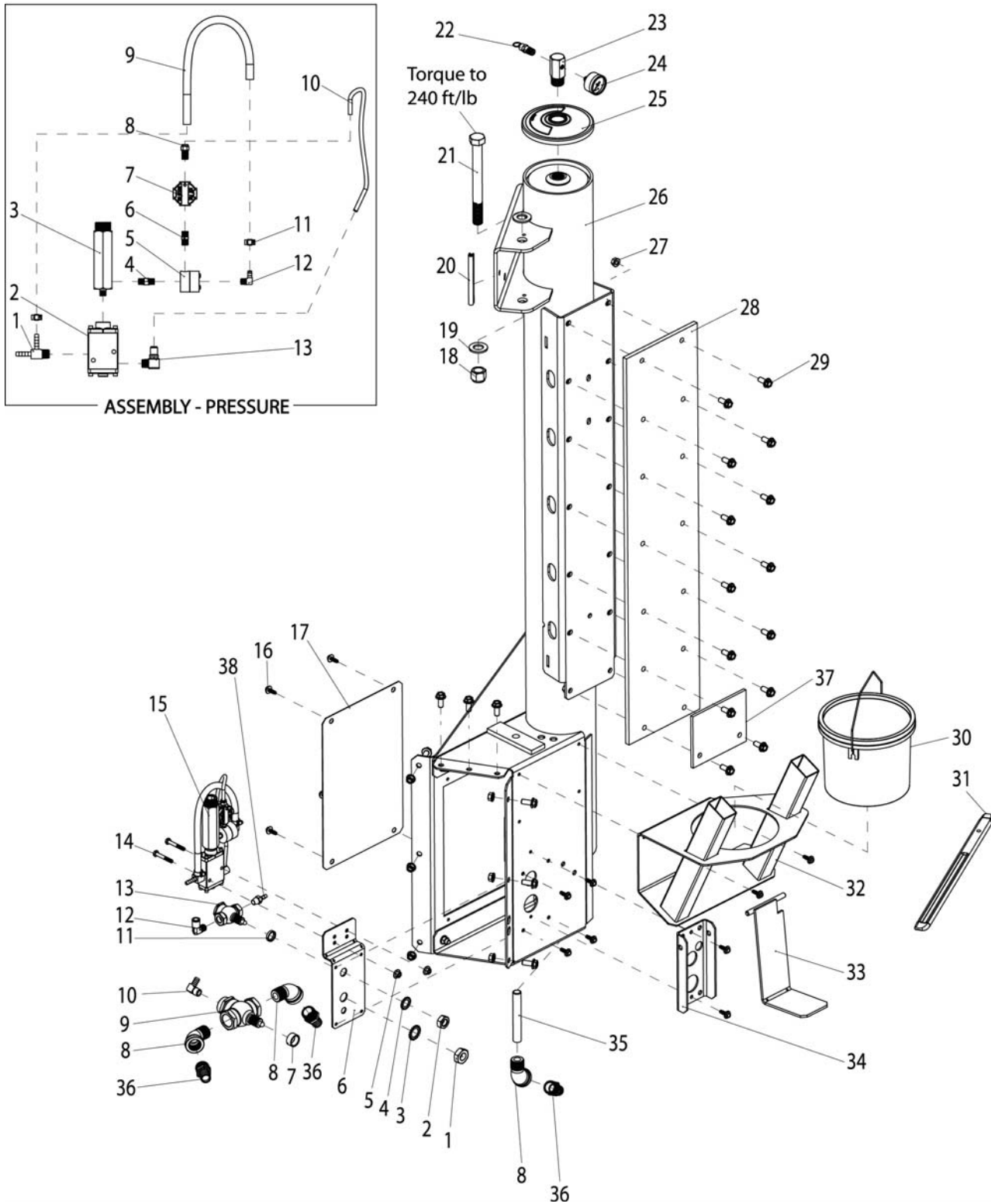


Item	Part No.	Description	Item	Part No.	Description
1	***	Hor. Slide Cylinder Assembly	21	906101	3/8-16 x 2" HHCS Screw
2	8185564	Horz. Slide Shaft	22	***	Hor. Slide Valve Assembly
3	8130026	3/8-16 x 1/2 SHSS Screw	23	8185520	Valve/Lube Mounting Bracket
4	8104674	Bushing (3/4" Valve)	24	8143844	1/4-20 x 500 HWHST Screw
5	8185566	2-1/4" Dia. Roller Shaft	25	8106301	1/4" Hex Hd Self Tap Screw, Gr.5
6	8185550	Ext. Retaining Ring 5100-78	26	8106259	Lube Bottle (Red)
7	920861	Bearing, 20 x 47 x 14	27	8000491	Lube Applicator
8	8185572	Roller, 2-3/4" x 4"	28	85000420	Shoulder Bolt
9	8120424	3/8"-16 Wash Hd. Lock Nut Gr.5	29	929195	Compression Spring
10	8103794	Hose Retainer Clamp	30	8301016	Shoulder Bolt
11	8184837	Long Guide Gib	31	85000418	Vertical Slide Stop Lever
12	8301122	1/2-13, Nylock Hex Nut, Zinc	32	85000419	Stop Lever Bracket
13	8130026	3/8-16 x 1/2 SHSSCP Screw	33	8181137	Screw, 3/8-16 x 2.25 HHCS
14	8185558	Shoulder Screw			
15	8185555	Flanged Bushing			
16	8184866	Horizontal Slide			
17	8185553	Wave Spring Washer			
18	8185562	Lock Cam, w/Handle Assembly			
19	8000516	3/8-16" Hex Lock Nut			
20	85000421	3/8-16X x 2-1/2 Screw			

** See Cylinder Assemblies pgs. 20 - 21

*** See Valve Assemblies pgs. 22 - 23

Pressure & Inflation Bracket Assemblies

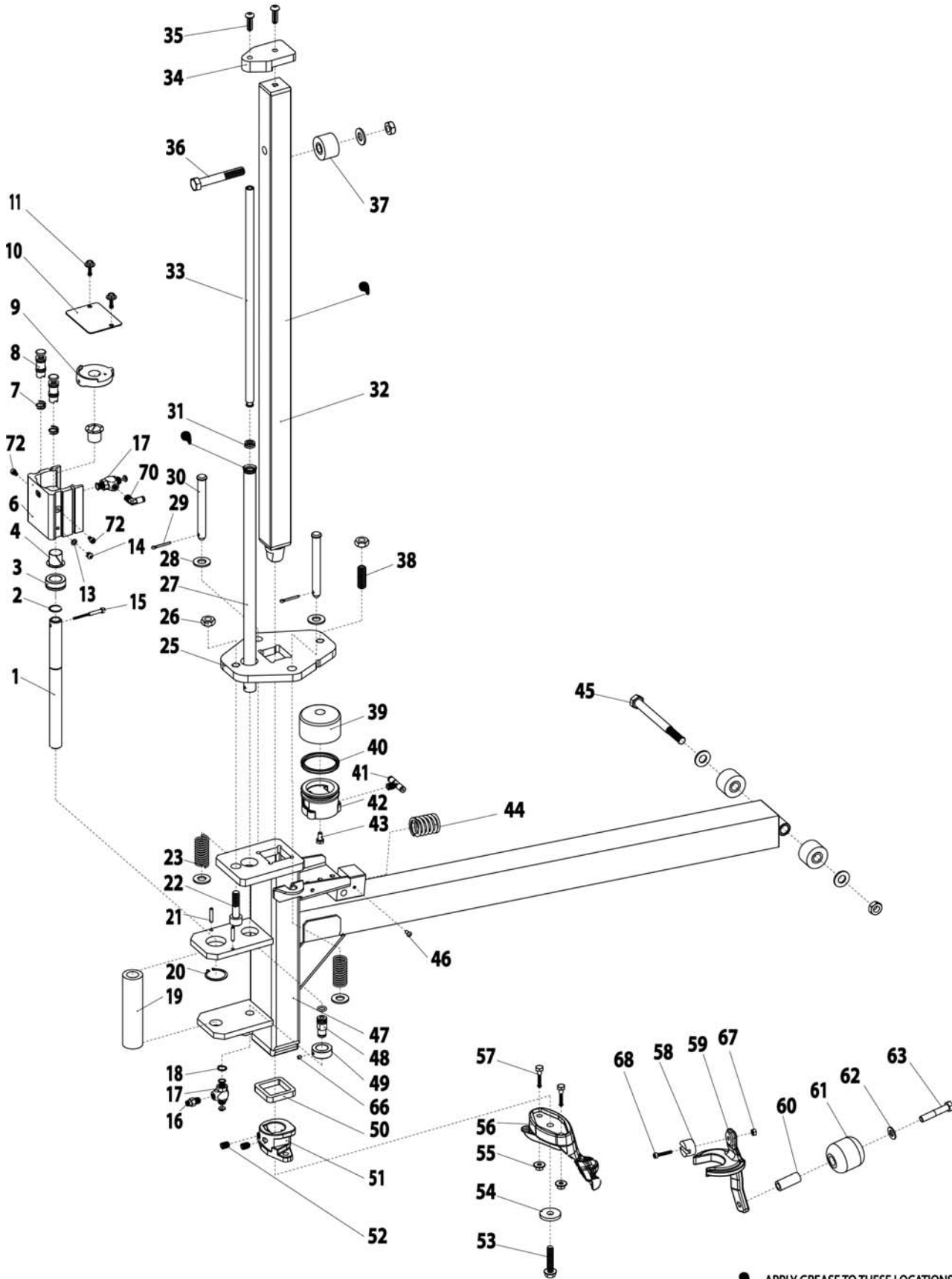


Inflation Bracket Assembly

Item	Part No.	Description
1	8104610	3/4" N.F. Jam Nut Gr.5
2	8104611	5/8" N.F. Jam Nut Gr.5
3	8104612	3/4" Ext. Tooth Lock Washer
4	8104613	5/8" Ext. Tooth Lock Washer
5	8143169	1/4-20 Whiz Lock Nut, Gr.5
6	8185664	Inflation Bracket
7	8104674	Bushing (3/4" Valve)
8	85000103	3/4NPT ELL Fitting, 45D
9	8106298	3/4" Valve Ported 1/4"-18 NPT
10	8184256	1/4NPT, 1/4HSE" ELL Fitting
11	8104673	Bushing (1/4" Valve)
12	8181998	Male Elbow 1/4 NPT x 3/8 Tube
13	8104600	1/4" Valve Comp.
14	8120408	1/4-20 x 1-3/4 H.H. Cap Scr., Gr.5
15	8185666	Pressure Assembly, 60 PSI
	*85000847	Pressure Assembly, 15 PSI
16	8106301	1/4" Hex Hd Self Tap Screw, Gr.5
17	8185534	Tower Auxillary Side Cover
18		3/4"-10 Gr.5 Nylon Insert Lock Nut
19	8182457	Washer, 3/4" SAE
20	85000199	Arm Stop Trim Strip, APX 90
21	8181172	3/4-10 x 7-1/2 HHCS, Gr.5
22	8182599	Safety Valve
23	8109784	Manifold/Gauge Protector
24	8108968	Air Gauge
25	8182458	Plastic Cap (Tower)
26	8184851	Auxillary Tower Support Assembly
27	8106303	Whiz Lock Nut, Gr.5
28	8184868	Vertical Slide Plate
29	8106302	3/8" Whiz Lock Screw, Gr.5
30	8183785	Universal Mounting Paste
31	8181354	Lift Tool
32	8184912	Tool/Lube Holder
33	8184856	Pedal w/Bar Assembly
34	8184885	Inflation Pedal Channel
35	8106188	Strainer Screen
36	8104573	Fitting, Straight-3/4"
37	85000417	Vertical Slide Stop Block
38	8000378	1/4" Brass St. Fitting
39	8143844	1/4-20 x 500 HWHST Screw
40	7110070	3/8-16 x 0.250 Whiz Bolt
41	8120424	3/8-16 Washer Head Hex Lock Nut

**** Important: For models with "Bead Sealing Only" on the tire changer, use pressure limiter 85000847.**

Tilt Tower Assembly 1

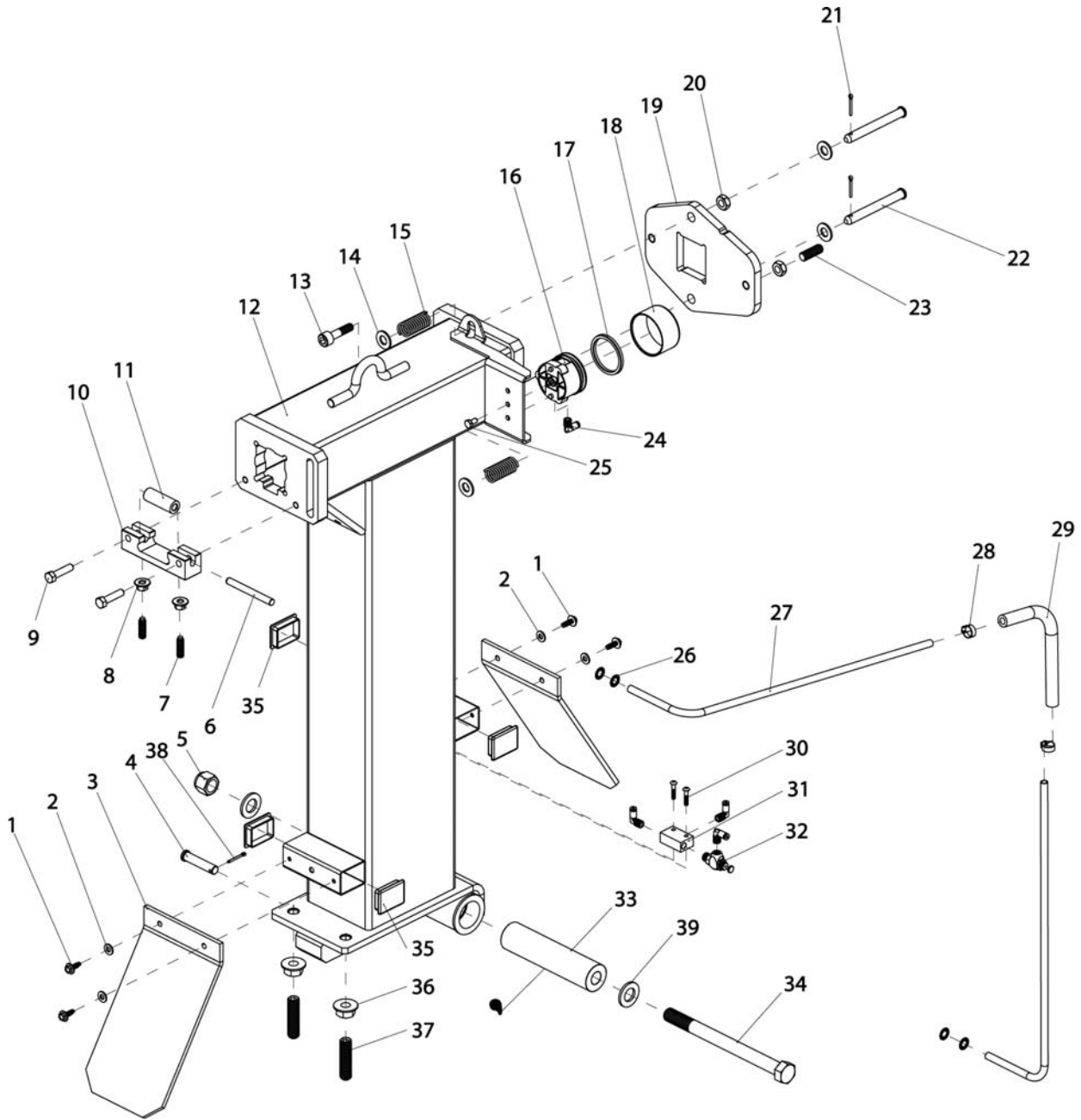


● APPLY GREASE TO THESE LOCATIONS

Tilt Tower

Item	Part No.	Description	Item	Part No.	Description
1	8185713	Tilt Tower Handle	41	85000045	1/8PTC x 1/8PT" Tee Fitting
2	903174	Retaining Ring	42	8181781	Lock Cylinder Slide Base
3	8185725	Tilt Tower Valve Bushing	43	902189	1/4-20 x.504 HHCS
4	8106007	3/4" Nylinder Bearing	44	85000285	Pressure Spring, MDM/HGH
6	85000320	Vertical Slide Valve Housing Assy	45	8183142	1/2-13 x 5 1/2" Screw
7	8182318_1	Compression Spring	46	920615	SBHCS Screw
8	8182317	Miniature Valve	47	8185705	Horizontal Slide Assembly
9	85000003	Vertical Slide Valve Cam	48	8185720	Base Lift Cylinder Tube
10	85000010	Left Vertical Valve Cover	49	8185721	Lock Lift Cylinder Tube
11	8106301	1/4" Hex Hd Self Tap Screw, Gr.5	50	8182031	Rubber Bumper
13	8182779	M10 Nylon 6/6 Washer	51	8185771	Mount Duckhead
14	8182364	10-32 x 1/4" Long, SBHCS	52	8130026	3/8-16 x 1/2 SHSS Screw
15	85000239	SHCS 10-24x2" Screw	53	85000283	3/8-16 x 1-3/4 Hex Hd Cap Screw
16	8181996	1/8 NPT x 1/8 St. Male Fitting	55	8143169	1/4-20 Whiz Lock Nut, Gr.5
17	85000038	Central Flow Valve	56	83008403	Mount/Demount Head
18	8181979	Retaining Ring	57	8120321	1/4-20 1-1/4 HHCS
19	85000015	Foam Handle Grip	58	85000016	Robo Roller Magnet
20	8100964	1.250" Ext Retaining Ring	59	8185769	Robo Roller Bracket
21	929181	3/16 x 5/16 Lg. Roll Pin	60	8183663	Roller Spacer
22	8181740	1/2-13 x 1-3/4, SHCS Gr.8	61	8183664	Roller
23	8185726	Compression Spring	62	8112310	Plain Washer
25	8185761	Vertical Slide Lock Plate	63	906101	3/8-16 x 2.00 HHCS Screw
26	8181113	1/2"-13 Jam Nut	65	8185256	O-Ring Seal
27	8185722	Lift Cylinder Tube	66	903180	10/24 x 3/8 Cup Point Set Screw
28	903214	1/2" Flat Washer	67	8182682	10-24 Nylon Insert Lock Nut Gr.5
29	8102278	1/8 x 1" Cotter Pin	68	906353	SHC Screw
30	8111148	Clevis Pin	70	8181997	90° Elbow 1/8 NPT x 1/8" Fitting
31	8185734	Lift Cylinder Pistion Seal	72	85000734	10-32 x 3/16, SHCS
32	8185728	Vertical Slide Shaft			
33	8185729	Lift Cylinder Shaft			
34	8185730	Vertical Slide Cap			
35	8181181	Button Hd. Soc. Screw			
36	8140730	1/2-13 x 3 1/4 HHC Screw			
37	8309008	Hood Stop Molding			
38	8185723	1/2-13 x 1 1/2 Set Screw			
39	8181780	Lock Cylinder Slide Cap			
40	8181785	Lock Cylinder Slide Seal			

Tilt Tower Assembly 2

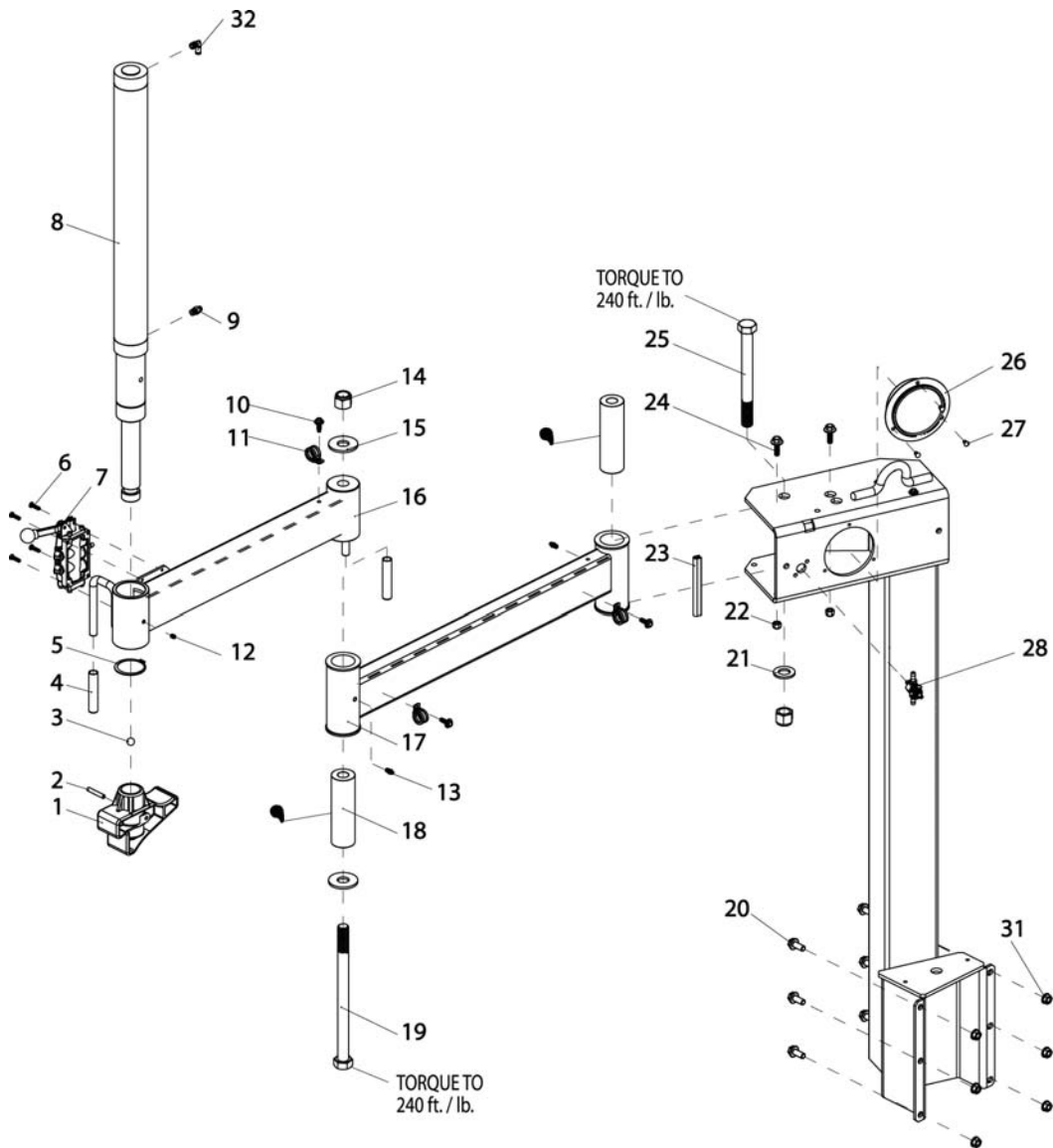


● APPLY GREASE TO THESE LOCATIONS

Tilt Tower Assembly 2

Item	Part No.	Description
1	8106301	1/4" Hex Hd Self Tap Screw, Gr.5
2	8113921	1/4" Flat Washer
3	85000099	Rubber Tilt Tower Cover
4	8120129	1/2 x 2-1/4 Clevis Pin
5		3/4-10 UNC Lock Nut
6	8185747	3/8" x 3.5" Dowel Pin
7	8185749	3/8-16 x 1 1/4" Set Screw
8	8120424	3/8"-16 Wash Hd. Lock Nut Gr.5
9	85000283	3/8 - 16 x 1-3/4 HWHCS Screw
10	8185746	Horiz. Slide Roller Block
11	8185748	Horiz. Slide Roller Shaft
12	8185702	Tilt Tower Housing
13	8181740	1/2-13 x 1-3/4 SHCS, Gr.8
14	903214	1/2" Flat Washer
15	8185726	Compression Spring
16	8181781	Lock Cylinder Slide Base
17	8181785	Lock Cylinder Slide Seal
18	8181780	Lock Cylinder Slide Cap
19	8185762	Horiz. Slide Lock Plate
20	8181113	3/4"-13 Jam Nut, Gr. 5
21	8102278	1/8 x 1" Cotter Pin
22	8111148	Clevis Pin
23	8185723	1/2-13 x 1 1/2 Set Screw
24	8181997	90° Elbow 1/8 NPT x 1/8" Fitting
25	902189	1/4-20 x .504 HHCS
26	85000053	3/8" Push On Retaining Ring
27	85000043	Formed Protector Tube
28	85000055	3/8 Hose Clamp
29	85000054	3/8" x 10" Black Rubber Hose
30	85000047	10/24 x 1" HHCS Screw
31	85000036	Shuttle Valve
32	85000038	Flow Control Valve
33	8185753	Tilt Tower Pivot
34	8182126	Hex Head Bolt
35	85000098	Plastic Plug
36	8120055	5/8-11 Hex Whiz Lock Nut
37	8109770	5/8-11 SHSSCP Screw
38	8102278	1/8 x 1" Cotter Pin
39	8182457	3/4" SAE Washer

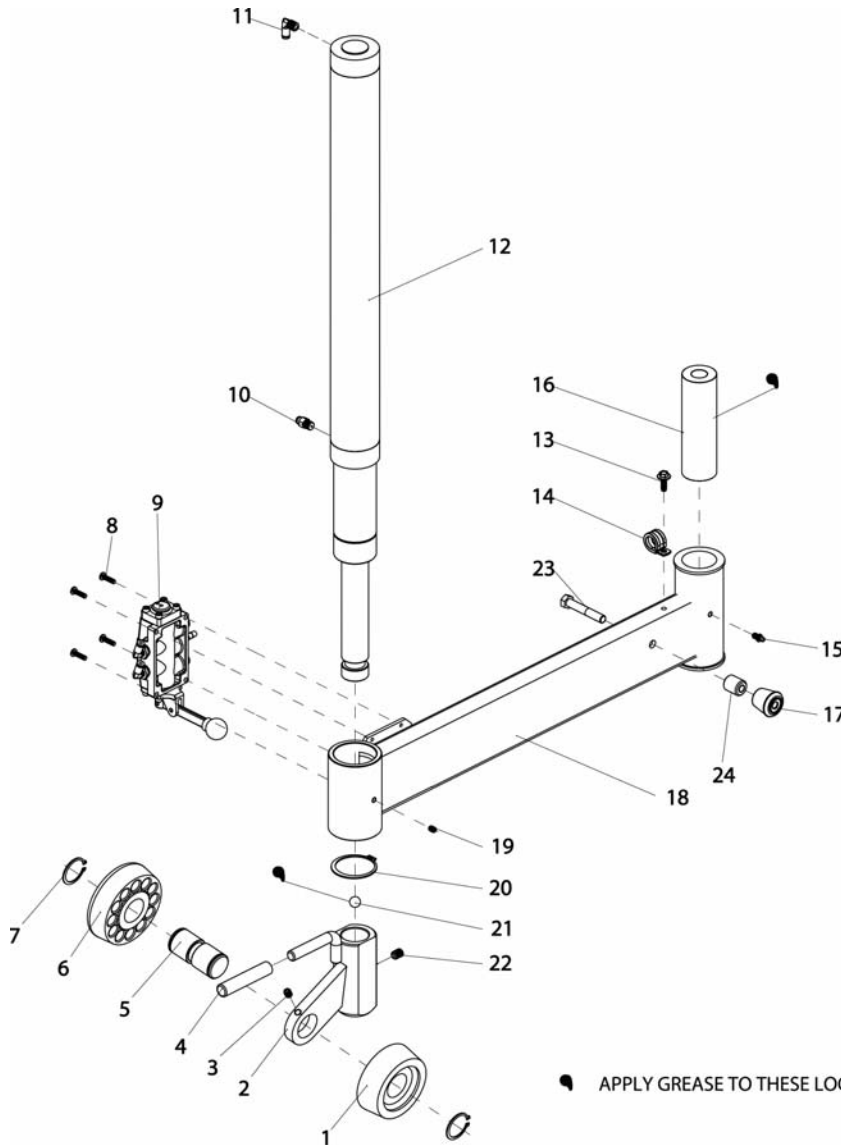
Robo Arm Assembly



👉 APPLY GREASE TO THESE LOCATIONS

Item	Part No.	Description	Item	Part No.	Description
1	8183641	Helper Arm Hold Down Foot	19	8183703	3/4-10 x 10-1/2" HHCS, Gr5
2	905563	ø1/4" x 1-1/2" Roll Pin	20	8106302	3/8" Whiz Lock Screw, Gr.5
3	8301017	ø1/2, Steel Ball	21	8182457	3/4" SAE Washer
4	7000230	Rubber Hand Grip, 1/2	22	8181183	5/16-18 Nylon Insert Lock Nut Gr.5
5	8183637	Ext. Retaining Ring, ø2	23	85000199	Arm Stop Trim Strip, APX 90
6	8181983	10-24 x 3/4 Lg. BHSCS	24	8120325	5/16 x 1.00 Serrated Washer Hd Scr
7	***	Robo Arm Valve Assembly	25	8181172	3/4-10 x 7-1/2 HHCS, Gr.5
8	8183644	Cyl. Assem. 2" Dia. x18" Stroke	26	8107980	Air Gauge Flange Mounting
9	8181996	1/8 NPT x 1/8 St. Male Fitting	27	8107983	Plastic Fastener
10	8106301	1/4" Hex Hd Self Tap Screw, Gr.5	28	8183502	Manifold Bleed Valve Assembly
11	8182044	Neoprene Cushion Clamp	31	8106303	Whiz Lock Nut, Gr.5
12	8183649	1/4-20 x 5/16" Soc Hd Set Screw	32	8181997	90° Elbow 1/8 NPT x 1/8" Fitting
13	8184226	Grease Fitting, St.			
14	8182016	3/4"-10 Nylon Insert Lock Nut, Gr.5			
15	8100994	Flat Washer, 3/4"			
16	8184905	Front Arm Weldment			
17	8184904	Rear Arm Weldment			
18	8181038	Swing Arm Pivot Pin			

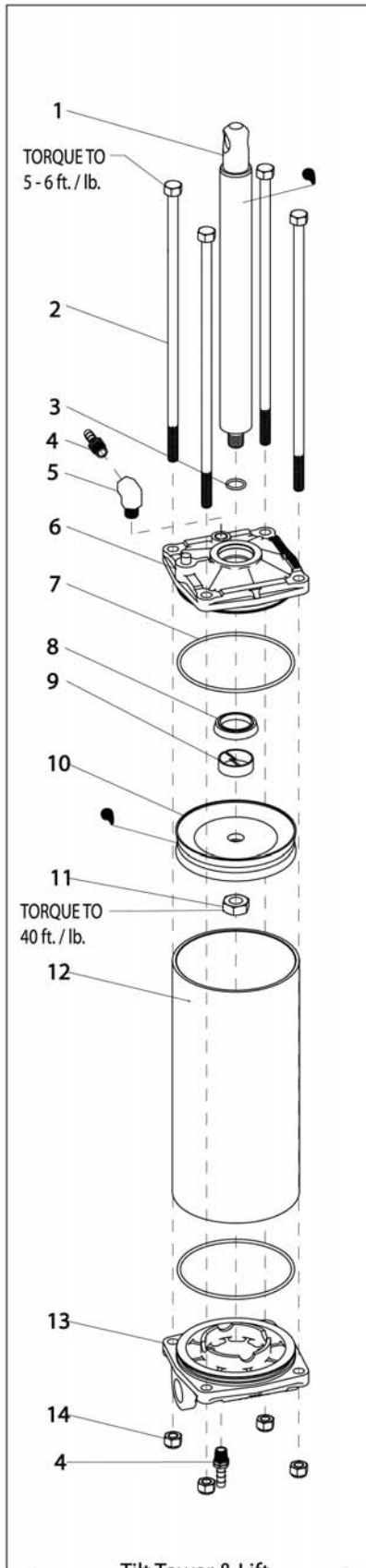
Robo Roller Arm Assembly (If equipped)



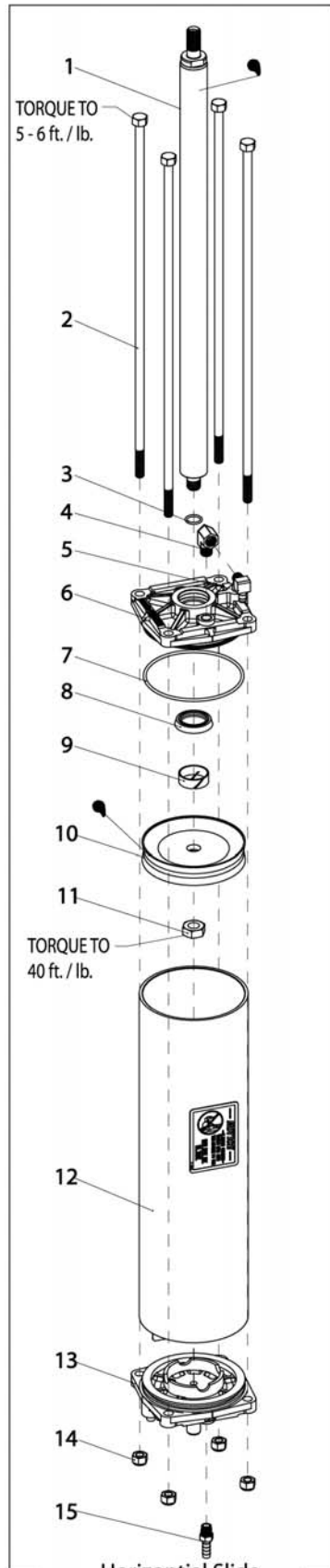
Item	Part No.	Description	Item	Part No.	Description
1	8185593	Aux Arm Small Roller	15	8184226	Grease Fitting, St.
2	8185597	HOUSING/BRACKET W/C	16	8181038	Swing Arm Pivot Pin
3	8180217	5/16-18 x 3/8" SHSS, Gr.5	17	8185601	3/4 ID Bumper
4	7000230	Rubber Hand Grip, 1/2	18	8184941	Aux Arm Weldment
5	8185594	Aux Roller Shaft	19	8183649	1/4-20 x 5/16" Soc Hd Set Screw
6	8185592	Aux Arm Large Roller	20	8183637	Ext. Retaining Ring, ø2
7	8100964	1.250" Ext Retaining Ring	21	8301017	ø1/2, Steel Ball
8	8181983	10-24 x 3/4 Lg. BHSCS	22	8130026	3/8-16 x 1/2 SHSS Screw
9	***	Aux Arm Valve Assembly	23	8181137	3/8-16 x 2-1/4 Hex Hd.Cap Scr, Gr.5
10	8181996	1/8 NPT x 1/8 St. Male Fitting	24	8185539	Aux Arm Block Stop
11	8181997	90° Elbow 1/8 NPT x 1/8" Fitting			
12	8183644	Cyl. Assem. 2" Dia. x18" Stroke			
13	8106301	1/4" Hex Hd Self Tap Screw, Gr.5			
14	8182044	Neoprene Cushion Clamp			

*** See Valve Assemblies pgs. 22 - 23

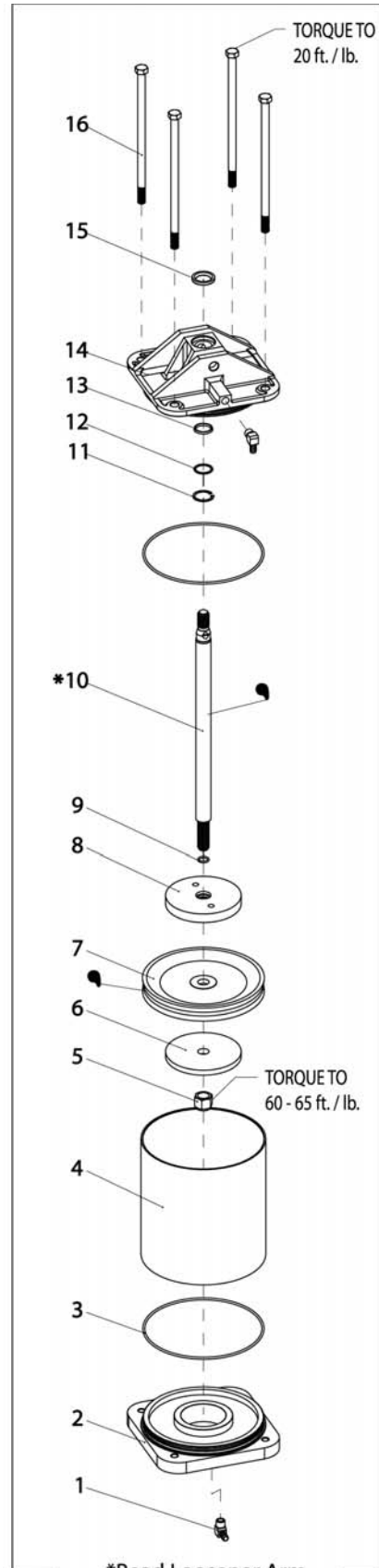
Cylinder Assemblies



Tilt Tower & Lift
Cylinder Assembly



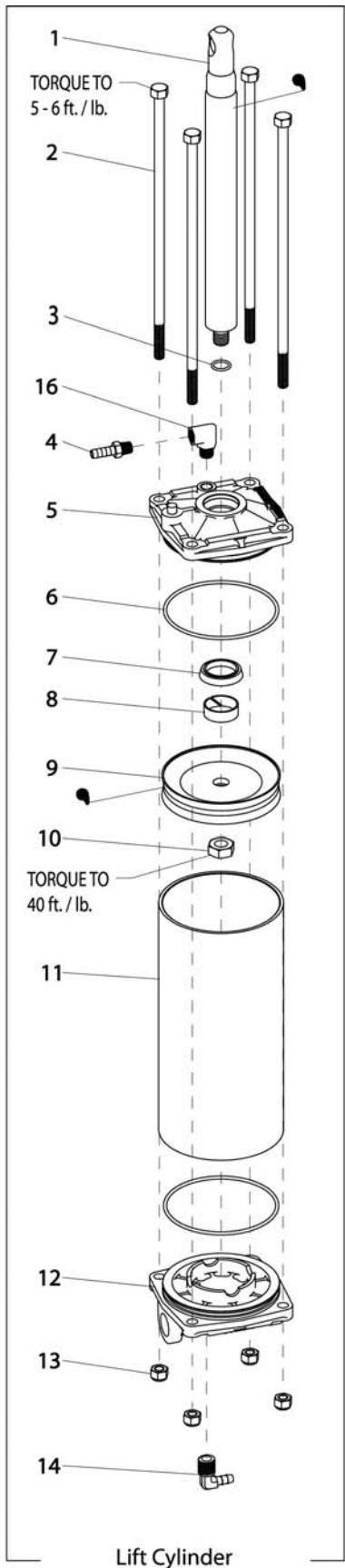
Horizontal Slide
Cylinder Assembly



*Bead Loosener Arm
Cylinder Assembly

APPLY GREASE TO THESE LOCATIONS

*Note: Not the same one found on 7000 Series Rim Clamp



APPLY GREASE TO THESE LOCATIONS

Item Part No. Description

Tilt Tower Cylinder Assembly - 8184814

- 1 8184804 Cylinder Shaft
- 2 8184815 Cylinder Tie Bolt
- 3 8183772 0.062 x 0.500 x 0.625 O-ring Seal
- 4 8183369 1/4" Hose Fitting, 1/8" NPT w/Orifice
- 6 8181620 Cylinder Top Cap
- 5 85000332 90° ELL, 1/8-27 NPT Fitting
- 7 8181631 O-ring Seal
- 8 8183786 Cylinder Rod Seal
- 9 8181632 Nylon Sleeve Bearing
- 10 8184525 Piston Washer Assembly
- 11 8182719 1/2-13 Locking Jam Nut, Gr.5
- 12 8184803 Cylinder Sleeve
- 13 8181636 Cylinder Base Cap
- 14 8181183 5/16-18 Nylon Insert Lock Nut Gr.5

Hor. Slide Cylinder Assembly - 8184889

- 1 8184892 Axlry Cylinder Shaft
- 2 8184890 Clamping Tie Bolt
- 3 8183772 0.062 x 0.500 x 0.625 O-ring Seal
- 4 85000332 90° ELL, 1/8-27 NPT Fitting
- 5 8110497 Male Elbow 1/8 NPT x 1/4 Hose
- 6 8181620 Cylinder Top Cap
- 7 8181631 O-ring Seal
- 8 8183786 Cylinder Rod Seal
- 9 8181632 Nylon Sleeve Bearing
- 10 8184525 Piston Washer Assembly
- 11 8182719 1/2-13 Locking Jam Nut, Gr.5
- 12 8184891 Cylinder Sleeve
- 13 8181622 Cylinder Bottom Cap
- 14 8181183 5/16-18 Nylon Insert Lock Nut Gr.5
- 15 8104844 St Fitting 1/8 NPT x 1/4 Hose

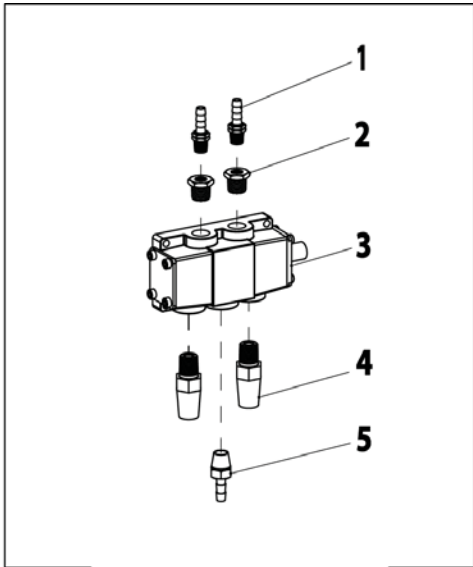
BL Arm Cylinder Assembly - 8183312

- 1 8000376 ELL 90° 1/4 Hose Fitting
- 2 8183310 B.L. Cylinder Bottom Cap
- 3 8183306 O-Ring Seal
- 4 8181574 B.L. Cylinder Barrel
- 5 8182016 3/4"-10 Nylon Insert Lock Nut, Gr.5
- 6 8181860 B.L. Cylinder Lower Washer
- 7 8181571 B.L. Cylinder Piston
- 8 8181863 B.L. Cylinder Upper Washer
- 9 906766 O-ring Seal
- 10 8183311-1 B.L. Cylinder Shaft
- 11 8183307 Internal Retaining Ring
- 12 8183308 1.030 x 1.240 Plain Washer
- 13 8106835 Rod Seal
- 14 8183309 B.L. Cylinder Top Cap
- 15 8106657 Wiper Seal
- 16 8181862 10-24 Nylon Insert Lock Nut Gr.5

Lift Cylinder Assembly - 85000334

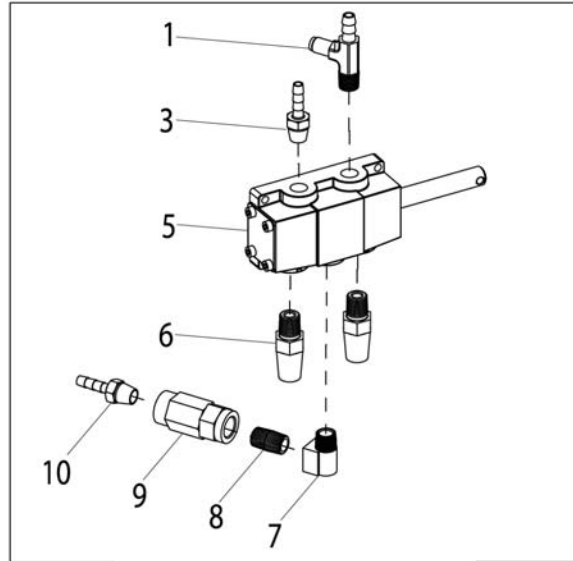
- 1 8184804 Cylinder Shaft
- 2 8184815 Cylinder Tie Bolt
- 3 8183772 0.062 x 0.500 x 0.625 O-ring Seal
- 4 8104844 St Fitting 1/8 NPT x 1/4 Hose
- 5 8181620 Cylinder Top Cap
- 6 8181631 O-ring Seal
- 7 8183786 Cylinder Rod Seal
- 8 8181632 Nylon Sleeve Bearing
- 9 8184525 Piston Washer Assembly
- 10 8182719 1/2-13 Locking Jam Nut, Gr.5
- 11 8184803 Cylinder Sleeve
- 12 8181636 Cylinder Base Cap
- 13 8181183 5/16-18 Nylon Insert Lock Nut Gr.5
- 14 85000286 90° Elbow Fitting, 1/4" x 1/4" Hose
- 16 85000332 90° ELL, 1/8-27 NPT Fitting

Valve Assemblies



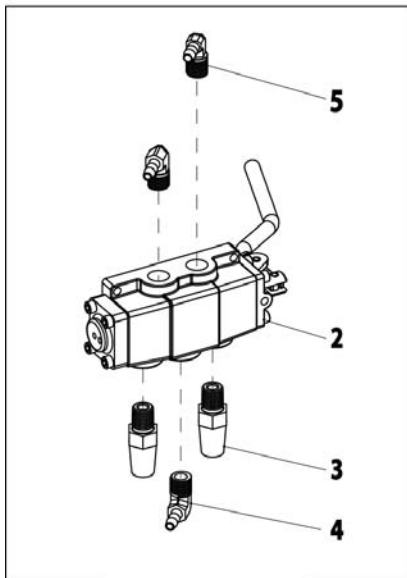
Lift Valve Assembly

Item	Part No.	Description
1	8183369	1/4" Hose Fitting, 1/8" NPT w/ Orifice
2	8109481	1/4 NPT x 1/8 NPT RDCR Fitting
3	8184878	4-way Valve, Pedal Operated
4	906960	1/4-18 NPT Muffler
5	8000378	1/4" Brass St. Fitting



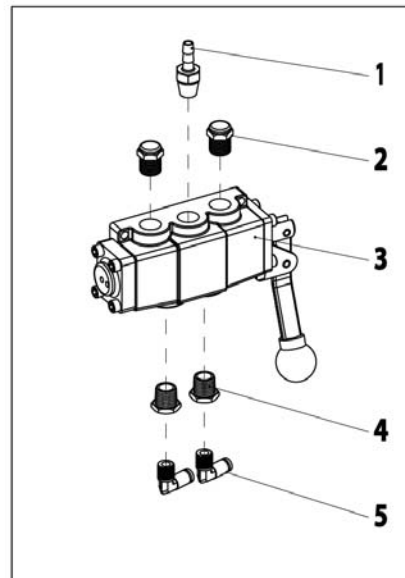
Tilt Tower Pedal Valve Assy

Item	Part No.	Description
1	8500048	1/4 NPT x 1/8 Tube x 1/4 Barb Tee Fitting
3	8000378	1/4" Brass St. Fitting
5	8181986	Valve, 4-Way w/Pull Pin
6	906960	1/4-18 NPT Muffler
7	8000372	1/4" x 90° Street Ell
8	8000580	Nipple - Close, 1/4 NPT
9	8104969	Check Valve
10	8000376	1/4" NPT, 1/4" HSE Ell Fitting



BL Arm Valve Assembly

Item	Part No.	Description
2	8185581	Valve, 3 Position w/Handle
3	906960	1/4-18 NPT Muffler
4	8000376	ELL 90° 1/4 Hose Fitting
5	85000286	90° Elbow Fitting, 1/4" x 1/4" Hose



Robo Arm Valve Assembly

Item	Part No.	Description
1	8000378	1/4" Brass St. Fitting
2	8105615	Small Muffler
3	8185585	Valve, 3 Position
4	8109481	1/4 NPT x 1/8 NPT RDCR Fitting
5	8181997	90° Elbow 1/8 NPT x 1/8" Fitting

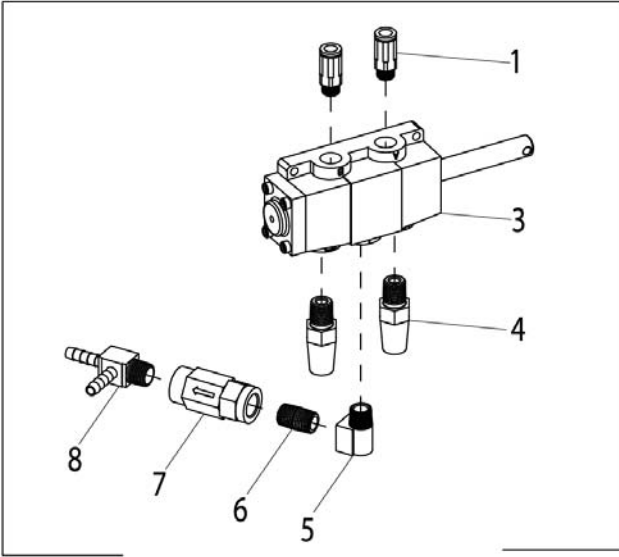
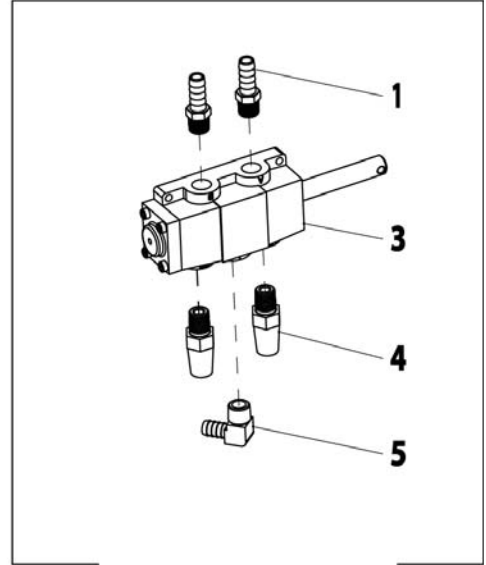


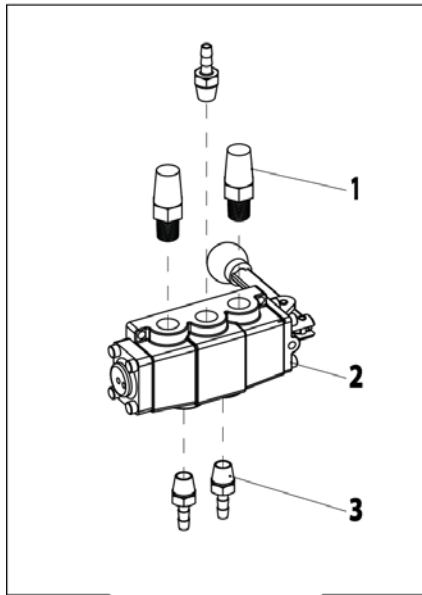
Table Top Clamp Pedal Valve Assy

Item	Part No.	Description
1	8185745	8mm Fitting
3	8184369	Valve, 4-Way w/Pull Pin
4	906960	1/4-18 NPT Muffler
5	8000372	1/4" x 90° Street Ell
6	8000580	Nipple - Close, 1/4 NPT
7	8104969	Check Valve
8	8110325	1/4" NPT Male Run Tee



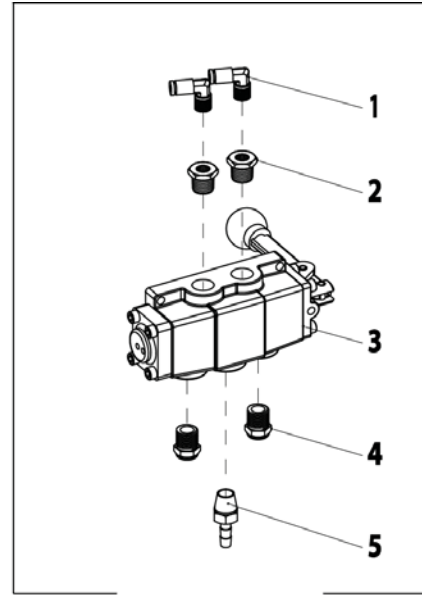
Air Motor Pedal Valve Assy

Item	Part No.	Description
1	8101898	St. 1/4" NPT 3/8" Hose Fitting
3	8184369	Valve, 4-Way w/Pull Pin
4	906960	1/4-18 NPT Muffler
5	8184256	1/4NPT, 1/4HSE" ELL Fitting



Hor. Slide Valve Assembly

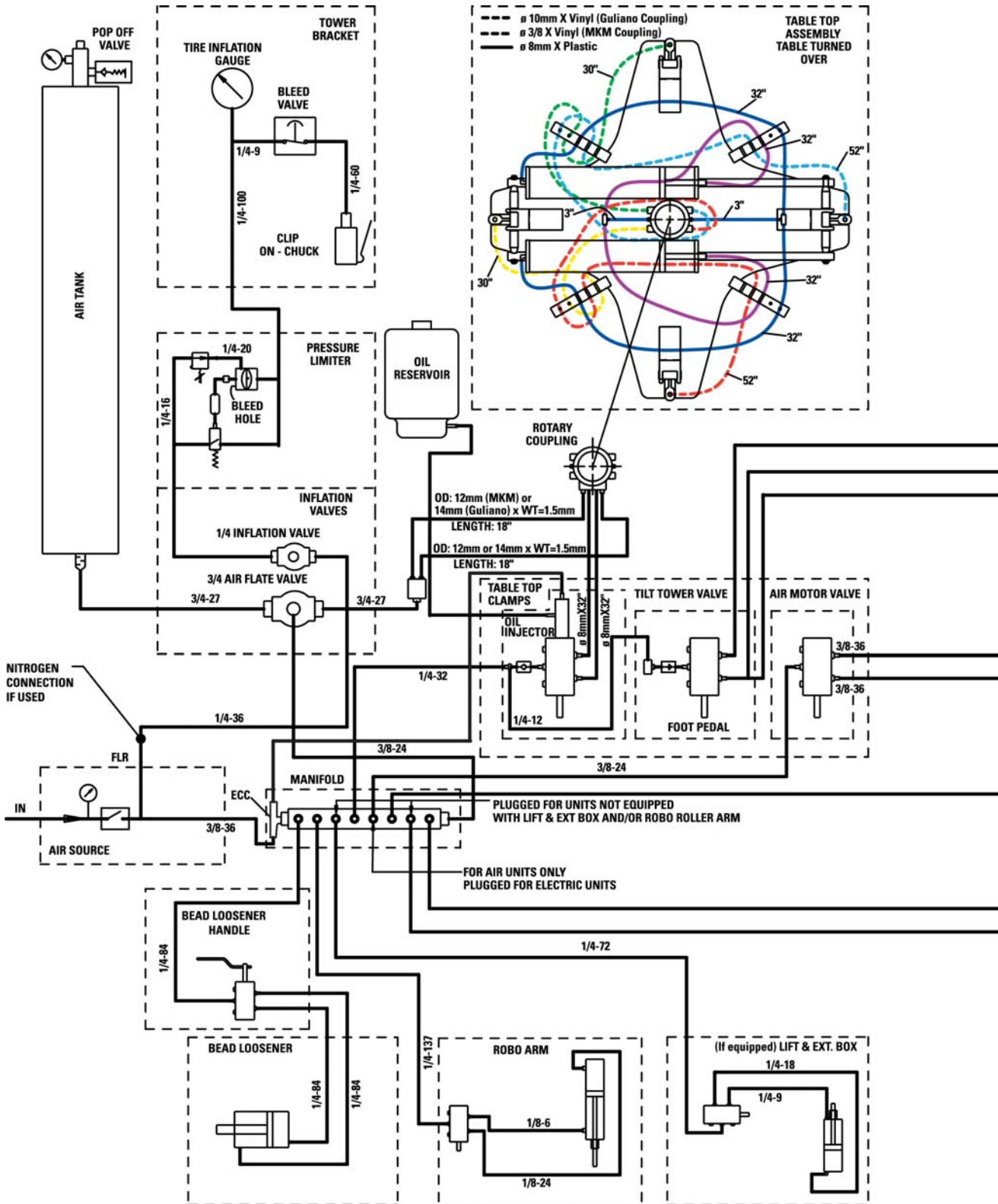
Item	Part No.	Description
1	906960	1/4-18 NPT Muffler
2	8185621	Valve, 3 Position
3	8000378	1/4" Brass St. Fitting



Aux Arm Valve Assembly

Item	Part No.	Description
1	8181997	90° Elbow 1/8 NPT x 1/8" Fitting
2	8109481	1/4 NPT x 1/8 NPT RDCR Fitting
3	8185586	Valve-3POS
4	8105615	Small Muffler
5	8000378	1/4" Brass St. Fitting

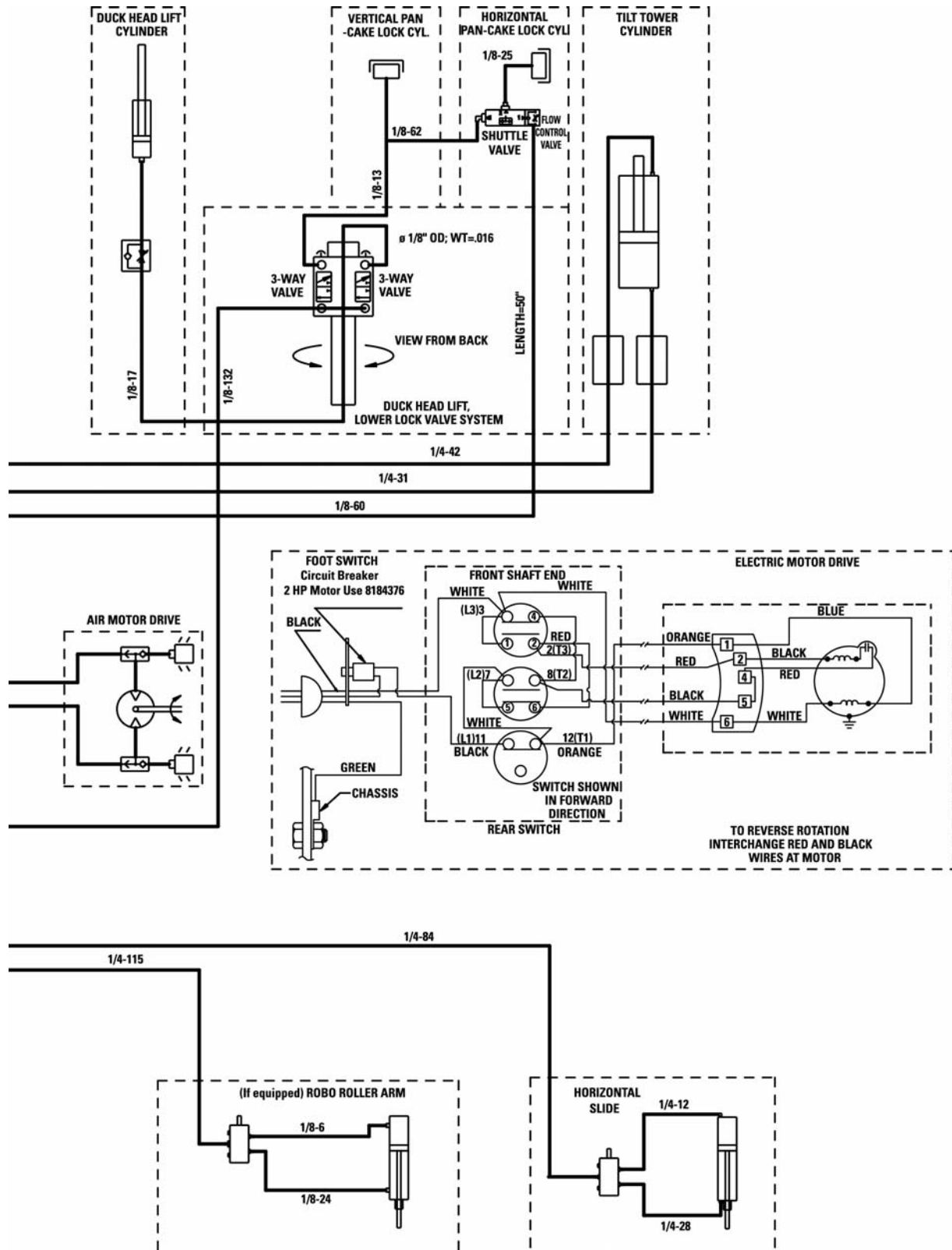
Pneumatic Diagram



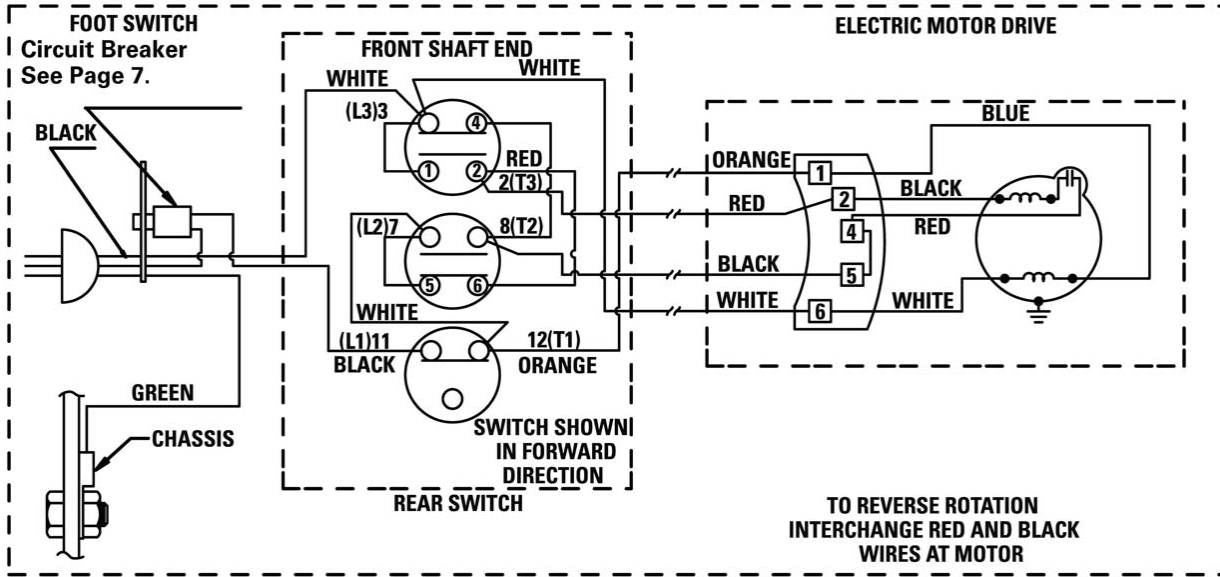
APX SERIES DIAGRAM

Hose Reels

LENGTH	PART NO.	DESCRIPTION	LENGTH	PART NO.	DESCRIPTION
50-ft.	85000375	1/4" ID x 1/2" OD Black Rubber Hose	80-ft.	85000380	10mm OD Vinyl Tube
50-ft.	85000376	1/8" OD x 0.25 Plastic Tube	80-ft.	8099993	8mm OD x 5mm ID Plastic Tube
50-ft.	85000377	3/8" ID x 11/16" OD Black Rubber Hose	100-ft.	85000382	3/8" OD x 1/4" ID Vinyl Tube
25-ft.	85000378	0.75" ID x 1.156" OD Red Rubber Hose	80-ft.	85000383	14mm OD x 1mm Wall Plastic Tube
80-ft.	85000379	12mm OD x 1mm Wall Plastic Hose	25-ft.	85000384	1/2" ID x 3/4 OD Black Rubber Hose



Electric Schematic



Notes

Rim Clamp® Tire Changer

All-Air Unit Compressed Air Requirements

COATS® Rim Clamp® tire changers that are powered entirely by air (no electric motor) require a single compressed air power source. Refer to the table below for exact specifications.

Tire Changer Model	Compressor Size	Capable of
APX 80	5 HP	14-15 SCFM at 150 PSI
APX 90	5 HP	14-15 SCFM at 150 PSI

Oiler and Water Separator Maintenance

The oiler and water separator (on units so equipped) require weekly service. Oil and water levels (indicated on the level gauge on the side of each bowl) should be checked regularly.

1. Add oil to the oiler if the fluid level is more than 1/4" from the top of the gauge. Remove the filler plug in the top of the oiler, and add SAE 10W non-detergent oil or an air tool oil to bring the level up to 1/4" from the top of the gauge. Replace the filler plug and clean up any spilled oil.

Note: An alternate adjustment method for the oil flow is to turn the knob fully clockwise to stop the flow, then turn it back counterclockwise 1/4 turn.

Oil Injector Maintenance

The oil injector (on units so equipped) typically require annual service. The oil level in the oil reservoir tank should be checked regularly.

1. Add oil to the oil reservoir tank if the fluid level in the tank is below a quarter full. Remove the cap from the oil reservoir tank and add Texaco Rando® HD 22 oil to the full line. Replace the cap and clean up any *spilled oil*.

Important: If the hose between the reservoir and injector is ever empty of oil, an air lock will form. After filling the reservoir tank, the line must be bled of air at the injector connection as follows:

- a. Remove the side panel and locate the oil injector.
- b. Loosen the bleeder screw until oil drips from the screw.
- c. Retighten bleeder screw.
- d. Cycle the clamp valve a few times checking for oil and air leaks.
- e. Test the machine for full function before returning the machine to operation.

Transmission Lubrication

The transmission in this machine is a sealed unit packed with grease and should need no regular maintenance.

Air Gauge Check and Recalibration

1. Inflate a standard 15" passenger car tire/wheel assembly to 32 PSI. Use a high quality stick-type pressure gauge to verify the pressure. Attach the tire changer's inflation hose to the valve stem and check the pressure reading on the air gauge. If it does not read 32 PSI, recalibrate the gauge.

2. Remove the screw-on lens. Loosen the 2 screws on the face of the gauge. Loosen them just enough so that the gauge face moves. Do not remove the screws.

3. Rotate the gauge face until the 32 PSI mark is aligned with the gauge needle. Tighten the 2 screws and replace the lens.

Danger, Warning, Caution, and Instructional Decals

Always make the cleaning of these important decals a part of your regular maintenance routine. If they are damaged or illegible, replace them immediately. Your safety, and the safety of others is involved!

Rando® is a trademark of Texaco Corporation