

# COATS®

## 7050/7060/7065

## 7665 AX/EX

# Tire Changer

For servicing single piece automotive and most light truck tire/wheel assemblies



## *Parts Identification*

READ these instructions before placing unit in service KEEP these and other materials delivered with the unit in a binder near the machine for ease of reference by supervisors and operators.

**HENNESSY INDUSTRIES, INC.**

1601 J. P. Hennessy Drive, LaVergne, TN USA 37086-3565 615/641-7533 800/688-6359 www.amccoats.com  
HENNESSY INDUSTRIES INC. Manufacturer of AMMCO®, COATS® and BADA® Automotive Service Equipment and Tools.

Manual Part No.: 8183741 27  
Revision: 06/09

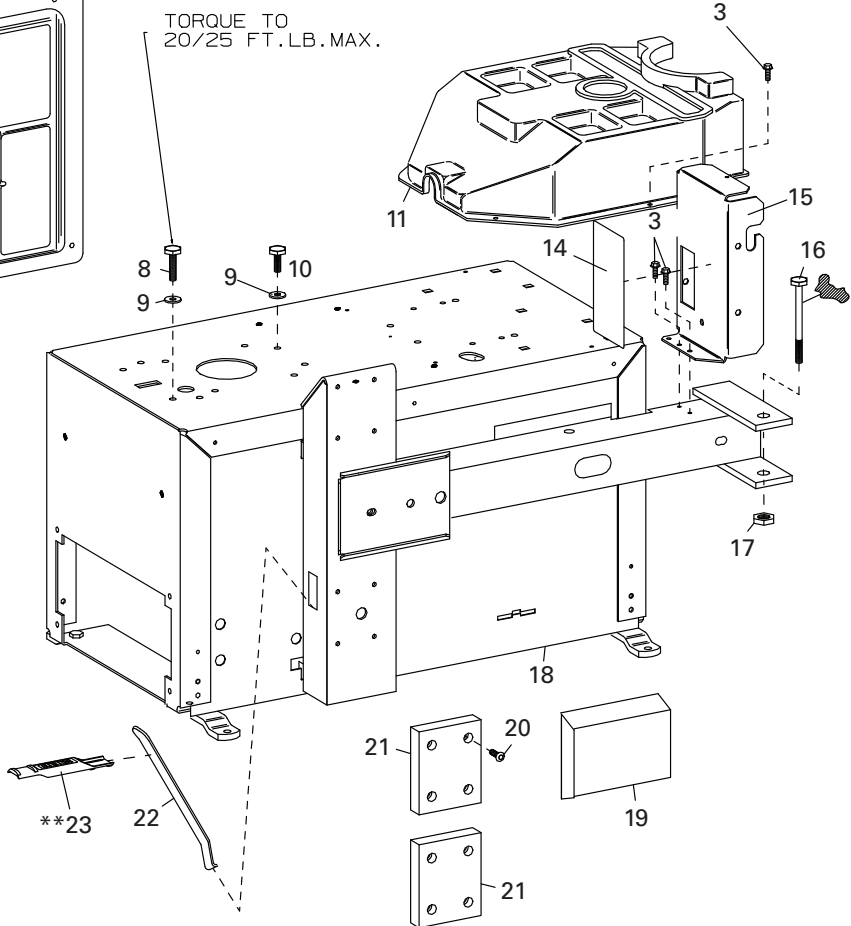
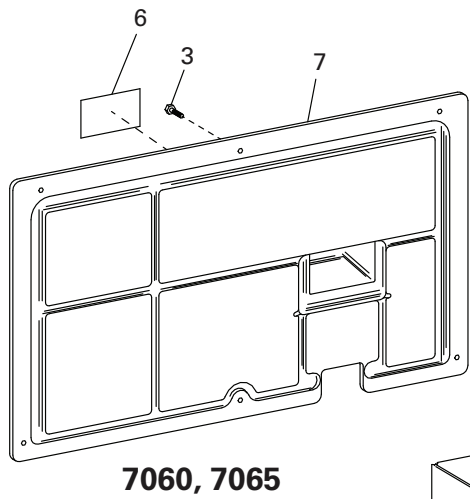
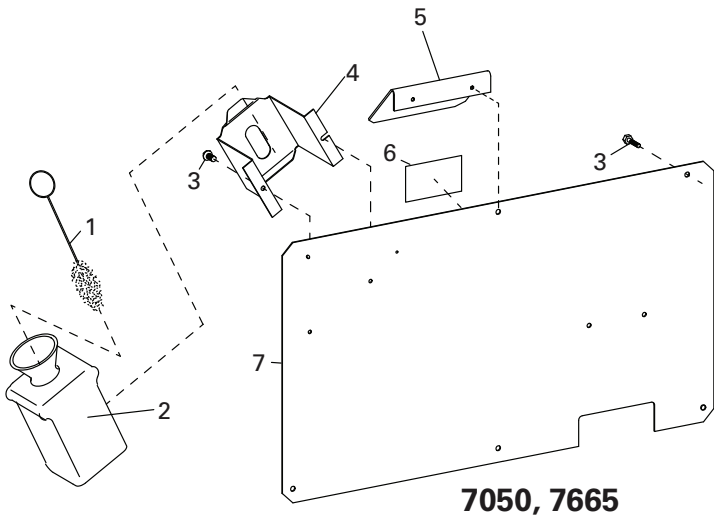
## **Parts Identification**

The following pages include parts breakdowns with exploded view illustrations to help with ordering replacement or spare kits. Assemblies are noted where it is recommended that individual parts not be ordered separately. Note that the parts view illustrations are for multiple models and not all parts shown are on all models. Every effort is made to supply accurate exploded views, however, due to interim changes in manufacturing operations, some units may not be exactly as illustrated.

## **Table of Contents**

<b>Chassis System</b> .....	<b>4 - 5</b>
<b>BL Arm Assembly</b> .....	<b>6 - 7</b>
<b>Table Top and Shaft</b>	
<b>Housing Assembly</b> .....	<b>8 - 9</b>
<b>Foot Pedal Assembly</b> .....	<b>10 - 13</b>
Electric Model Foot Pedal Assembly . . .	10 - 11
Oil Injector Diagram (if equipped) .....	11
Air Model Foot Pedal Assembly .....	12 - 13
Valve Assemblies .....	13
<b>Robo Arm Assembly</b> .....	<b>14</b>
<b>Swing Arm Assembly</b> .....	<b>15</b>
<b>Inflation Bracket and</b>	
<b>Tower Assembly</b> .....	<b>16 - 17</b>
<b>Pnuematic Diagrams</b> .....	<b>18 - 21</b>
<b>Inflation Guard Assembly - 7665</b> .....	<b>22</b>
<b>Electric Schematic</b> .....	<b>23</b>

# Chassis System



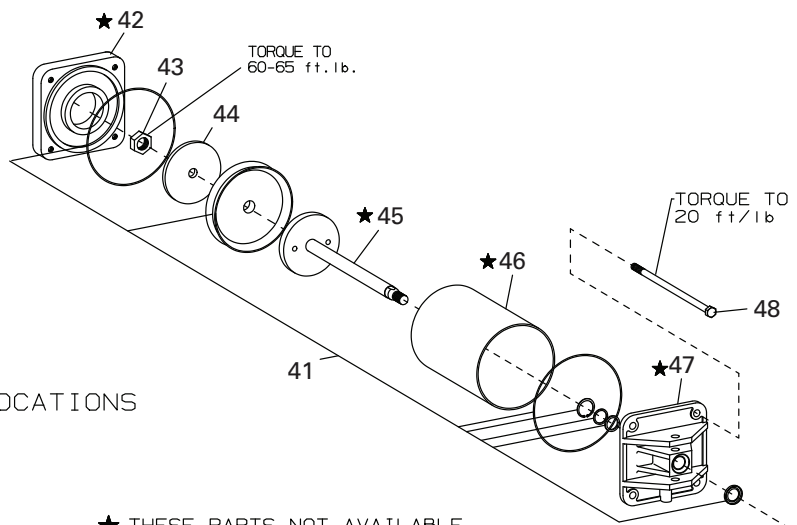
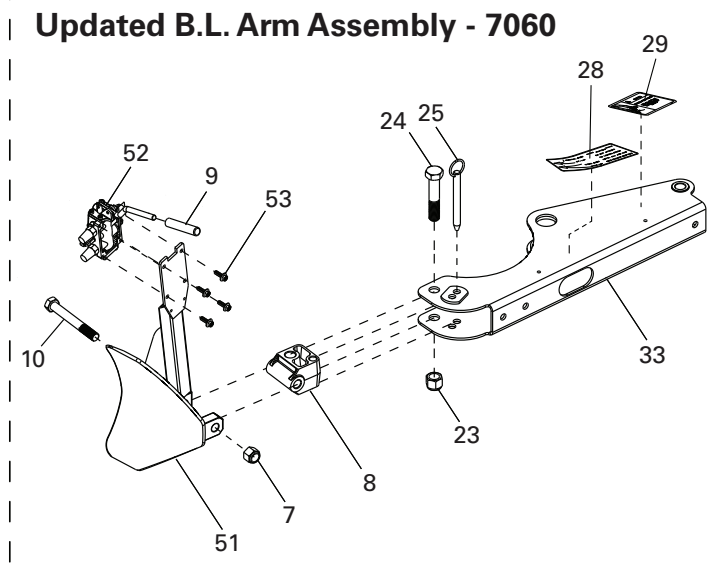
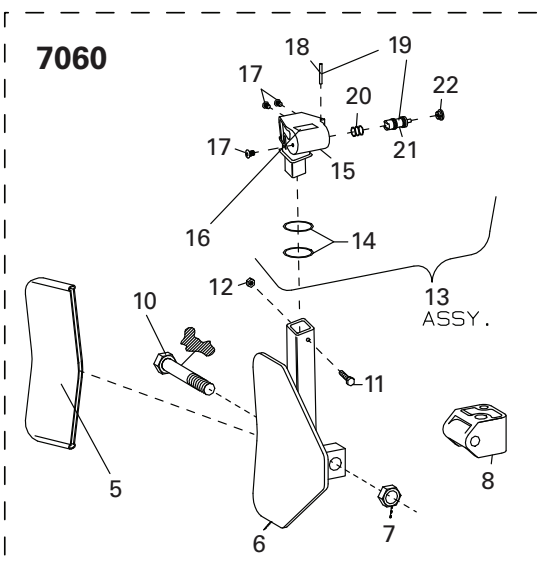
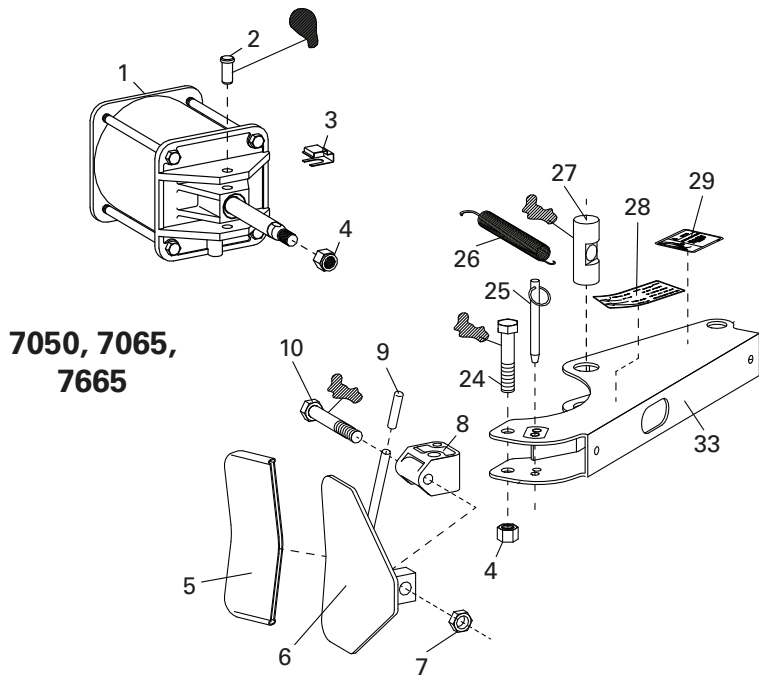
 APPLY GREASE TO THESE LOCATIONS

## (Chassis System)

ITEM	PART NO.	DESCRIPTION
1	8000491	Lube Applicator
2	8106259	Lube Bottle - Red
3	8106301	1/4" Hex Hd Self Tap Screw, Gr.5
4	8182809	Lube Bottle Brkt - Red (7050, 7065, 7665)
5	8182811	Cover-Infl. Pedal - Red (7050, 7065)
6	8181285	Inflation Pedal Decal (7050, 7060, 7065)
7	8182807	Side Panel - Metal (7050, 7065, 7665)
	8182477	Side Panel - Plastic (7060)
8	8182040	10MM x 55MM Hex Hd.Cap Scr, Gr.5
9	8301032	3/8 Flat Washer, Zinc Plate
10	8107715	3/8-16 x 1-1/4 Hex Hd. Cap Scr, Gr.8.8
11	8181964	Plastic Accessory Tray (7060)
14	8183778	Lubrication Notice Decal
15	8183770	Filter/Lube Bracket
16	8182579	3/4-10 x 5 Hex Hd. Cap Scr, Gr.5
17	8182016	3/4"-10 Nylon Insert Lock Nut, Gr.5
18	8182041	Chassis
19	8181855	B.L. Center Pad
20	8182088	5/16 x 1 Torx Screw, Gr.5
21	8181851	B.L. Pad, Front
22	8181354	Bead Lifting Tool
23	**85000783	Bootie Kit, Lift Tool, Pkg of 10

\*\*Indicates Accessory Item

# BL Arm Assembly



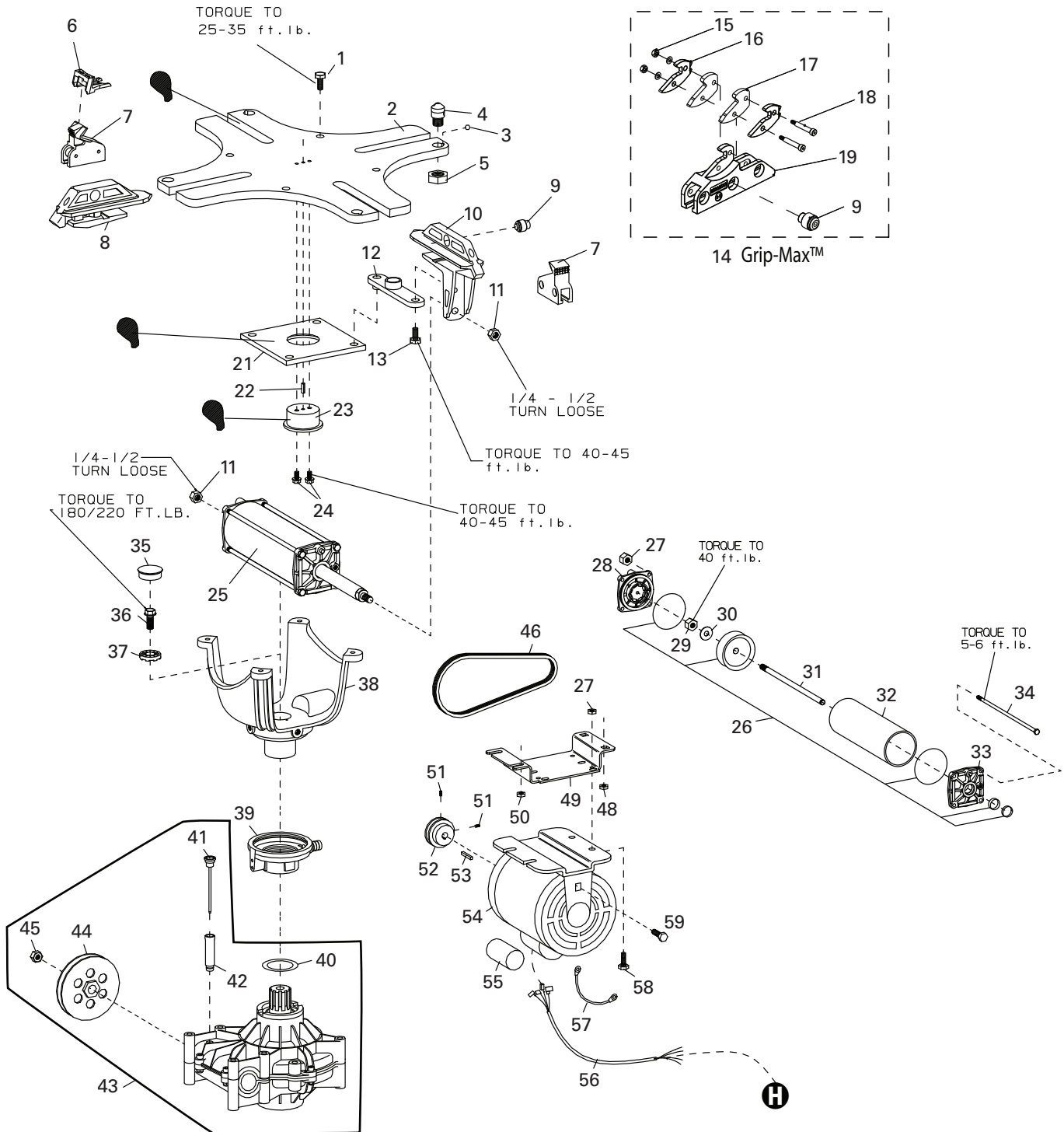
 APPLY GREASE TO THESE LOCATIONS

★ THESE PARTS NOT AVAILABLE FOR SERVICE.

**(BL Arm Assembly)**

<b>ITEM</b>	<b>PART NO.</b>	<b>DESCRIPTION</b>	<b>ITEM</b>	<b>PART NO.</b>	<b>DESCRIPTION</b>
1	8183312	B.L. Cylinder Assembly w/BL Valve	24	8182009	3/4-10 x 3 3/4" HHCS
2	8181949	Clevis Pin-5/8 x 1-3/8	25	8120326	Hitch Pin, ø1/2"
3	8181912	Clip, Clevis	26	8180230	B.L. Spring
4	8182016	3/4"-10 Nylon Insert Lock Nut, Gr.5	27	8182550	Pivot Pin, B.L. Cylinder Rod (7050, 7065, 7665)
5	8183606	Bootie Kit, Shoe, Pkg of 2		8185634	Pivot Pin, B.L. Cylinder Rod (7060AX)
6	8183529	B.L. Shoe, Handle & Pivot W/C (7050, 7065, 7665)	28	8181970	Bead Loosener Caution Decal
	8181953	B.L. Shoe, Handle & Pivot W/C (7060)	29	8182768	Bead Loosener Caution Decal
7	8182043	5/8-11 Nylon Insert Lock Nut Gr.5	33	8182002	B.L. Arm
8	8181951	B.L. Shoe Pivot Bracket	41	8182079	Seal Kit, B.L. Cylinder
9	7000230	Rubber Hand Grip, 1/2	42	8183310	B.L. Cylinder Bottom Cap
10	8182011	5/8-11 x 5" Hex Hd Cap Scr, Gr.5	43	8100957	3/4" NC Locknut Gr. 5
11	8182013	#10-24 x 1-1/2" Gr.5 HHCS (7060)	44	8181860	B.L. Cylinder Lower Washer
12	8181862	10-24 Nylon Insert Lock Nut Gr.5	45	8183519	Shaft/Washer Assembly
13	8182352	B.L. Handle/Valve Assembly (7060)	46	8181574	B.L. Cylinder Barrel
14	8182321	ø2 x 1/4" Roll Pin O-ring (7060)	47	8183309	B.L. Cylinder Top Cap
15	8182987	B.L. Handle Housing (7060)	48	8181862	Tie Bolt, 1/2-13 x 10-1/4" Lg., Gr.5
16	8181971	Decal - B.L. Handle (7060)	51	85009199	Shoe, BL Weldment, w/handle
17	8182364	#10-32 x 1/4 Gr.5 BHSCS (7060)	52	8185755	B.L. Arm Valve Assembly
18	8182319	ø3/32 x 1-1/4" Roll Pin (7060)	53	8143168	1/4-20 x 3/4" HHCS, Whiz Lock
19	8182725	Valve & Roll Pin Kit (7060)			
20	8182318	Handle Spring-B.L. (7060)			
21	8182317	3-Way Miniature Valve (7060)			
22	8182047	Manual Push Button (7060)			

# Table Top and Shaft Housing Assembly



 APPLY GREASE TO THESE LOCATIONS

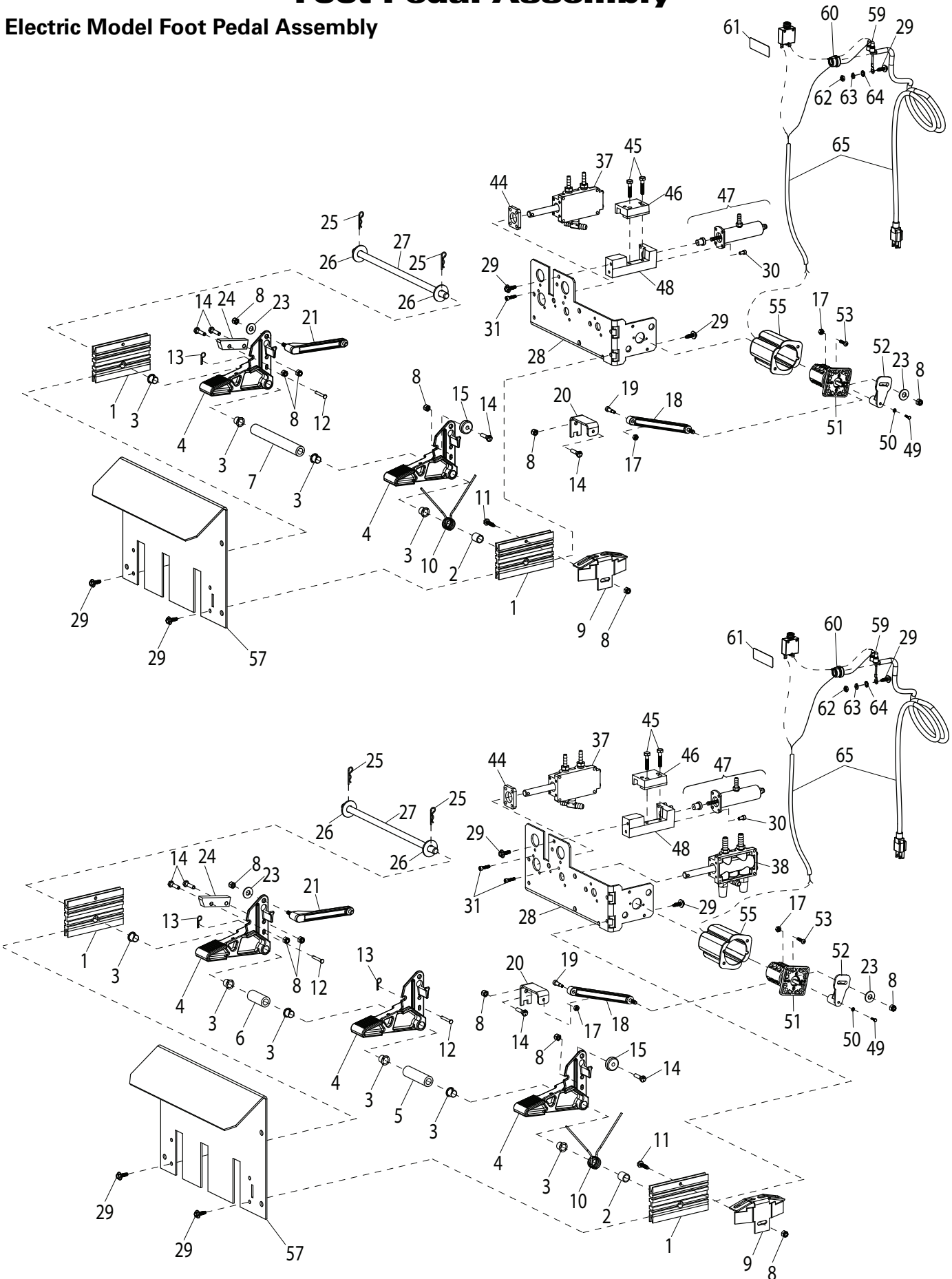


**(Table Top and Shaft Housing Assembly)**

<b>ITEM</b>	<b>PART NO.</b>	<b>DESCRIPTION</b>	<b>ITEM</b>	<b>PART NO.</b>	<b>DESCRIPTION</b>
1	8181929	Skt. Hd. Cap Scr., 3/8-16 x 1", Gr.8	41	8182186	Dipstick-Transmission
2	8181704	Table Top Plate	42	8182185	Tube-Dipstick
3	8182025	1/4" Steel Ball	43	8185654	Kit-Transmission
4	8182024	Inflation Nozzle	44	8181658	Pulley-Transmission
5	8182083	3/4" Jam Nut	45	8182162	Nut - Hex, 12MM, Gr.8.8
6	8183604	Bootie Kit, Rim Clamp, Pkg of 10	46	8180047	V-Belt, Motor
7	8184126EX	Adjustable Rim Clamp	48	8143044	Tinnerman Sq. Captive Nut 3/8-16
8	8182249	Carrier/Cover - Clamp Adj.	49	8181931	Bracket, Motor Mounting
9	8182250	Adj. Clamp Plunger/Spring Assy.	50	8106303	3/8" Whiz Lock Nut, Gr.5
10	8182248	Carrier/Cover - Cylinder End	51	8180217	5/16-18 x 3/8" Soc.Hd.Set Screw, Gr.5
11	8101039	Nut - Lock, 1/2", Gr.5	52	8184674	Pulley-Motor
12	8181734	Pivot Link W/C	53	8180558	Key-Motor
13	8182279	Adj. Clamp Link Bolt	54	8184691	Motor, Electric 115V
14	85000758	Grip-Max™ Laminated Clamps Pkg of 4		8182621	Motor, Electric 220V, 50Hz, 1ø
	85600345	Grip-Max™ Laminated Clamps (External Clamp Only), Pkg of 4	55	8180638	Motor Capacitor Only, 400-480 µFD
15	8182682	Nut-Hex, Lk, Rvsble, #10-24	56	8181511	Motor Cable Assembly, 4-wire, 220V
16	85000595	3 Position Laminated Clamp Cover		8184562	Motor Cable Assy, 4-wire w/plug, 115V
	85600313	3 Position Laminated Clamp Cover (External Clamp Only)	57	8180560	Ground Jumper
17	85000594	Laminated Clamp Grip	58	8120325	5/16-18 x 1 Ser. Wash.Hd.Scr., Gr.5
18	85000610	Shoulder Screw, 1/4 x 1-1/4x#10-24	59	8120455	10-24 Self Tap Screw, Gr.2
19	85000596	3 Position Laminated Clamp			
21	8181731	Pivot Plate - Table Top			
22	8183476	Roll Pin - ø1/4" x 3/4"			
23	8181733	Pivot Block			
24	8183452	Flange Whiz-lock Scr., 5/16-18 x 5/8"			
25	8182613	Cylinder Assembly-Table Top			
26	8183772	Seal Kit, T.T. Cylinder			
27	8181183	5/16-18 Nylon Insert Lock Nut Gr.5			
28	8181622	Cylinder Bottom Cap			
29	8182719	1/2-13 Locking Jam Nut, Gr.5			
30	8183771	Washer, 1-38 OD x 1/2 ID x 0.062			
31	8181629	Shaft, Tabletop Cyl.			
32	8181627	Sleeve, Cylinder			
33	8181620	Cylinder Top Cap			
34	8181633	Tie Bolt, Tabletop Cylinder			
35	8182627	Cap Plug - 1-5/8" Dia.			
36	8181742	16MM x 40mm Hex Head Bolt Gr.10.9			
37	8182979	Washer - Molded, ø16mm			
38	8181990	Spider Assembly			
39	8182619	Rotary Coupling Assembly			
40	8183156	Washer - ø2" X ø2 3/4" x .010			

# Foot Pedal Assembly

## Electric Model Foot Pedal Assembly



ITEM	PART NO.	DESCRIPTION
1	8181918	Bar-Valve Brkt. Spacer
2	8181872	Sleeve-Torsion Spring
3	8181948	Bearing-Nyliner, 1/2"
4	8181675	Pedal, Standard
5	8182327	Pedal Spacer (7050, 7065, 7665)
6	8181911	Spacer-Pedal (7050, 7065, 7665)
7	8182358	Spacer-Pedal (7060)
8	8181369	Nut - Lock, Nyl. Ins., 1/4-20, Gr.5
9	8182670	Spring Stop Bracket
10	8181707	Torsion Spring
11	8104945	1/4 x 1 HWHSTC Gr.5
12	8181977	Clevis Pin 3/16" x 1-1/2"
13	8120469	Hair Pin Cotter
14	8181984	Hx.Hd.Cp.Scr., 1/4-20 x 1", Gr.5
15	8181923	Washer - Stop
17	8182682	10-24 Nylon Insert Lock Nut Gr.5
18	8181699	Lever Assembly - Switch
19	8182743	10-24 x 3/8 SHCSS Gr.8
20	8182363	Spacer - Sw Pedal Lever-Red
21	85010038	Lever-Cam Follower
23	8107635	5/16" Flat Washer
24	85606355	Stop-Pedal
25	8111609	Cotter, Hair Pin
26	8301121	Washer
27	8183398	Pedal Shaft
28	85009985	Bracket-Valve Mounting
29	8106301	1/4" Hex Hd Self Tap Screw, Gr.5
30	8181989	10-24 x 3/8 SHCS, Gr.8

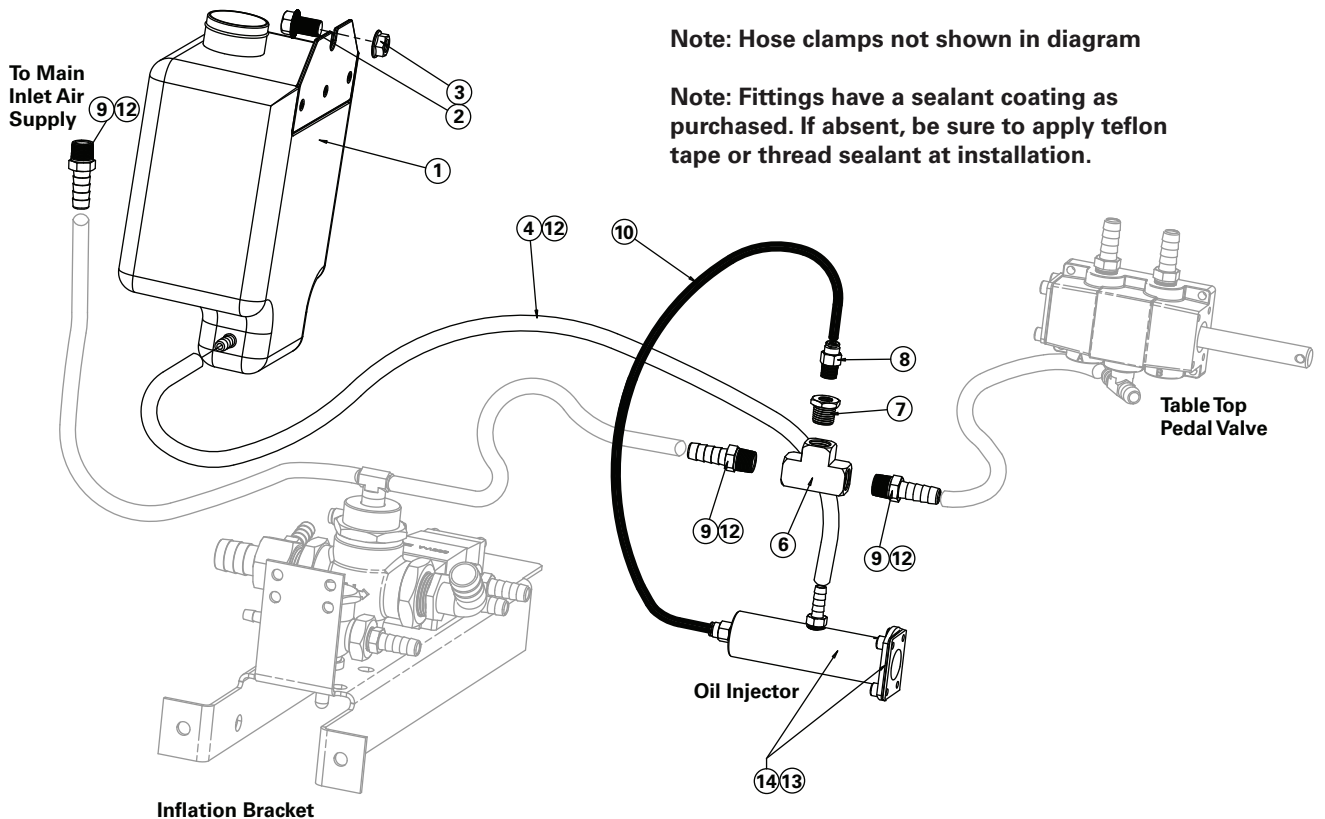
ITEM	PART NO.	DESCRIPTION
31	8182001	10-24 x 3/4 SHCS
37	85600262	Valve-Assembly
38	8182588	Valve-Assembly
44	85009982	Spacer-Valve, Clamp, TT
45	8120321	1/4-20 x 1.25 HHCS Gr.5
46	85010036	Block-Upper Stop Pedal Assembly
47	8184675	Oil Injector Assembly
48	85009983	Block-Lower Stop Pedal
49	8181982	3MM x 12mm HHCS Gr.5
50	8301072	#6 Internal Tooth Lk Washer
51	8184389	Switch-Reversing (switch only)
52	8181728	Lever - Switch Actuator
53	8181983	BHSCS 10-24 x 5/8, Gr.8
55	8181959	Cover-Switch
*56	8181587	Circuit Breaker - 15 Amp, 110V (7050, 7060, 7065)
57	8182332	Guard-Foot Pedal
59	8143254	Wire Joint
60	906077	Strain Relief
61	8180237	Caution Decal
62	8107440	14-20 Hex Nut Gr.5
63	8301142	Washer, 1/4" Spring Lock
64	8150441	1/4" Star Lock Washer
65	8182257	Pwr Cable Assy 115V w/breaker
66	8102459	3/8" Self Tap Screw Gr.5
67	8181986	Valve, 4-Way w/Pull Pin

\*Not Shown

### Oil Injector Diagram (If equipped)

ITEM	PART NO.	DESCRIPTION
1	8185629	Tank Reservoir
2	8183452	5/16-18 Flange Screw
3	924724	5/16-18 Flange Hex Nut
4	8184243	1/4" x 49" Red Rubber Hose
6	8000643	1/4" NPT Tee
7	8109481	1/8" x 1/4" NPT Reducer

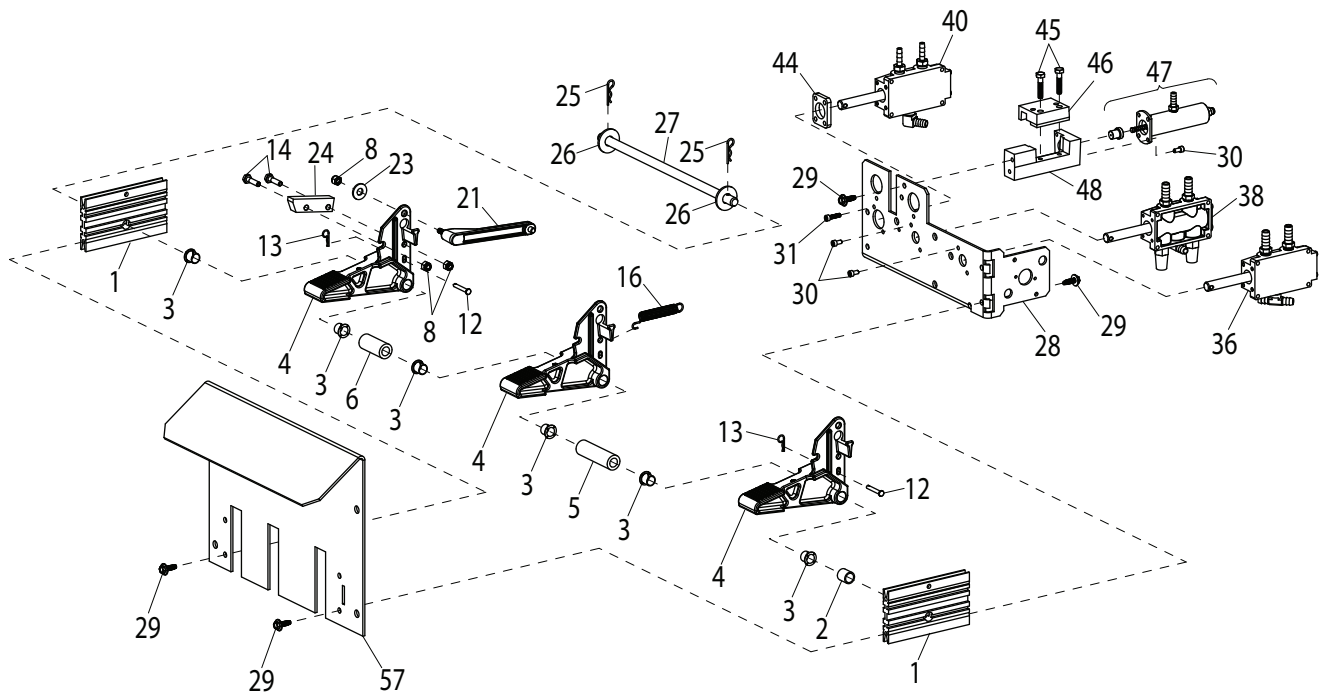
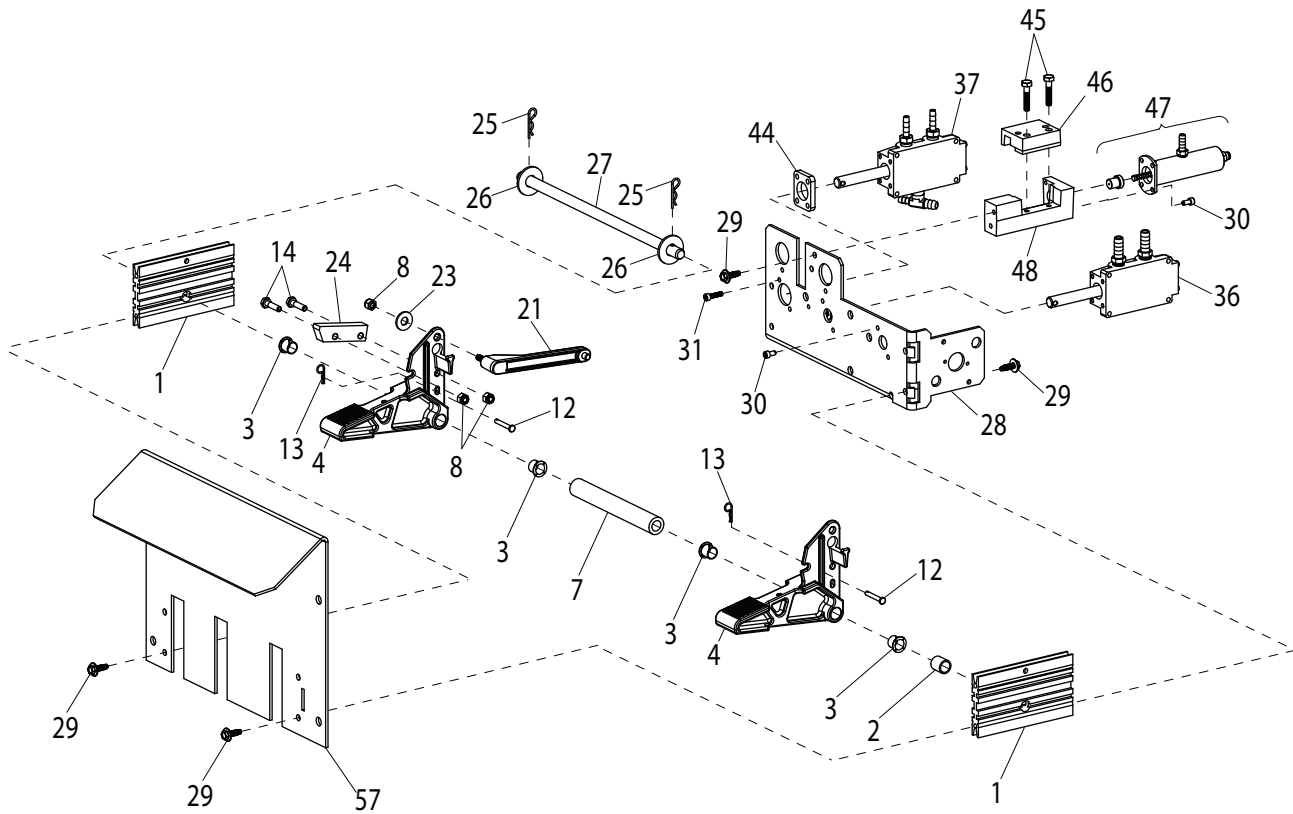
ITEM	PART NO.	DESCRIPTION
8	8181996	1/8" Tube x 1/8" Flange Screw
9	8101898	St. 1/4" NPT 3/8" Hose Fitting
10	85000840	1/8" x 10 Blk Nylon Tube
12	8101428	1/4-5/8 Hose Clamp
13	8184686	Spacer Plug
14	8184675	Oil Injector



Note: Hose clamps not shown in diagram

Note: Fittings have a sealant coating as purchased. If absent, be sure to apply teflon tape or thread sealant at installation.

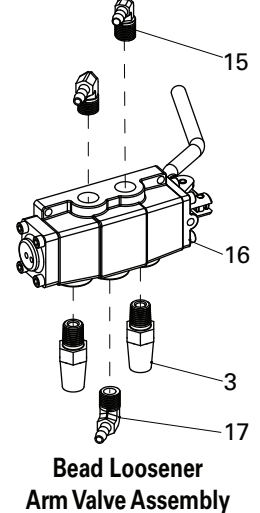
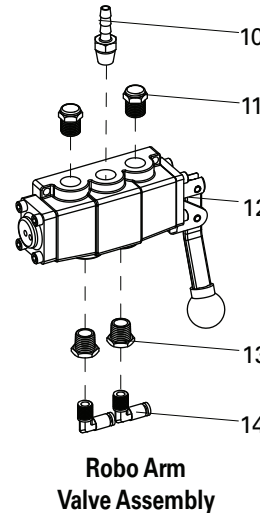
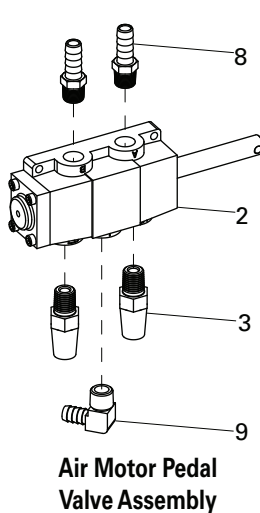
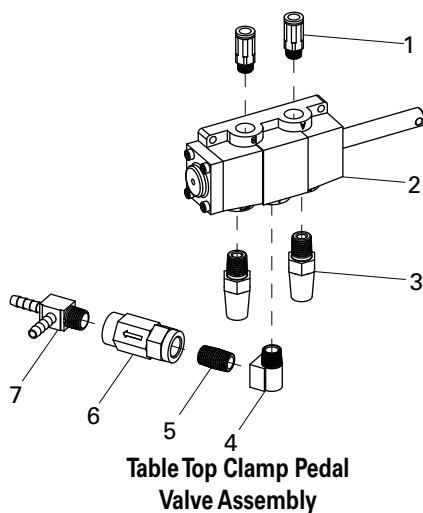
# Air Model Foot Pedal Assembly



ITEM	PART NO.	DESCRIPTION	ITEM	PART NO.	DESCRIPTION
1	8181918	Bar-Valve Brkt. Spacer	26	8301121	Washer
2	8181872	Sleeve-Torsion Spring	27	8183398	Pedal Shaft
3	8181948	Bearing-Nyliner, 1/2"	28	85009985	Bracket-Valve Mounting
4	8181675	Pedal, Standard	29	8106301	1/4" Hex Hd Self Tap Screw, Gr.5
5	8182327	Pedal Spacer (7050, 7065, 7665)	30	8181989	10-24 x 3/8 SHCS, Gr.8
6	8181911	Spacer-Pedal (7050, 7065, 7665)	31	8182001	10-24 x 3/4 SHCS
7	8182358	Spacer-Pedal (7060)	36	8182066	Valve-Assembly
8	8181369	Nut - Lock, Nyl. Ins., 1/4-20, Gr.5	37	85600262	Valve-Assembly
12	8181977	Clevis Pin 3/16" x 1-1/2"	38	8182588	Valve-Assembly
13	8120469	Hair Pin Cotter	40	85600263	Valve-Assembly
14	8181984	Hx.Hd.Cp.Scr., 1/4-20 x 1", Gr.5	44	85009982	Spacer-Valve, Clamp, TT
16	8181708	Extension Spring, Pedal	45	8120321	1/4-20 x 1.25 HHCS Gr.5
21	85010038	Lever-Cam Follower	46	85010036	Block-Upper Stop Pedal Assembly
23	8107635	5/16" Flat Washer	47	8184675	Oil Injector Assembly
24	85606355	Stop-Pedal	48	85009983	Block-Lower Stop Pedal
25	8111609	Cotter, Hair Pin	57	8182332	Guard-Foot Pedal

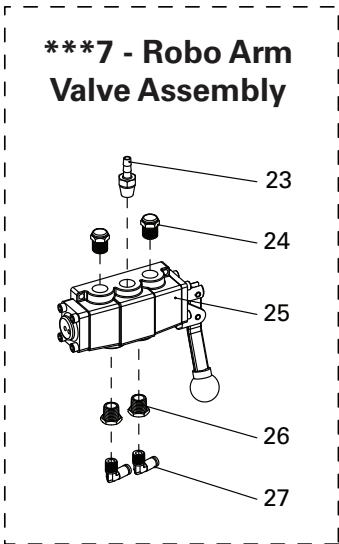
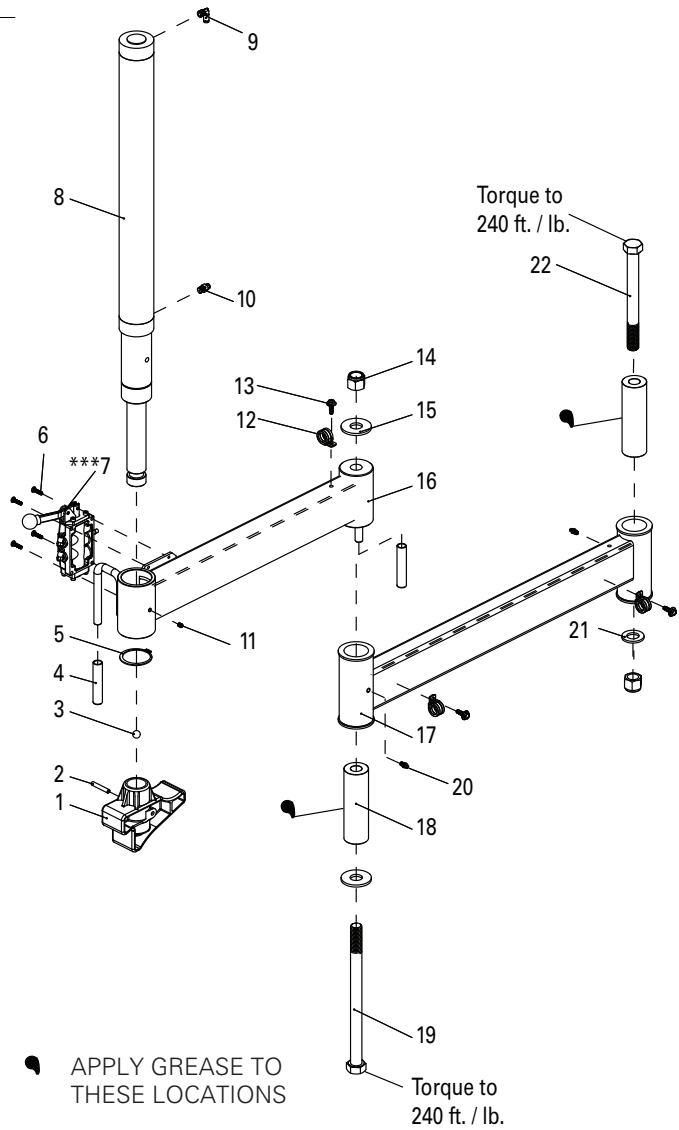
### Valve Assemblies

ITEM	PART NO.	DESCRIPTION	ITEM	PART NO.	DESCRIPTION
1	8185745	8mm Fitting	11	8105615	Small Muffler
2	8184369	Valve, 4-Way w/Pull Pin	12	8185585	Valve-3 Position
3	906960	1/4-18 NPT Muffler	13	8109481	1/4 NPT x 1/8 NPT RDCR Fitting
4	8000372	1/4" x 90° Street Ell	14	8181997	90° Elbow 1/8 NPT x 1/8" Fitting
5	8000580	Nipple - Close, 1/4 NPT	15	85000286	90° Elbow Fitting, 1/4" x 1/4" Hose
6	8104969	Check Valve	16	8185581	Valve, 3 Position w/Handle
7	8110325	1/4" NPT Male Run Tee	17	8000376	ELL 90° 1/4 Hose Fitting
8	8101898	St. 1/4" NPT 3/8" Hose Fitting			
9	8184256	1/4NPT, 1/4HSE" ELL Fitting			
10	8000378	1/4" Brass St. Fitting			

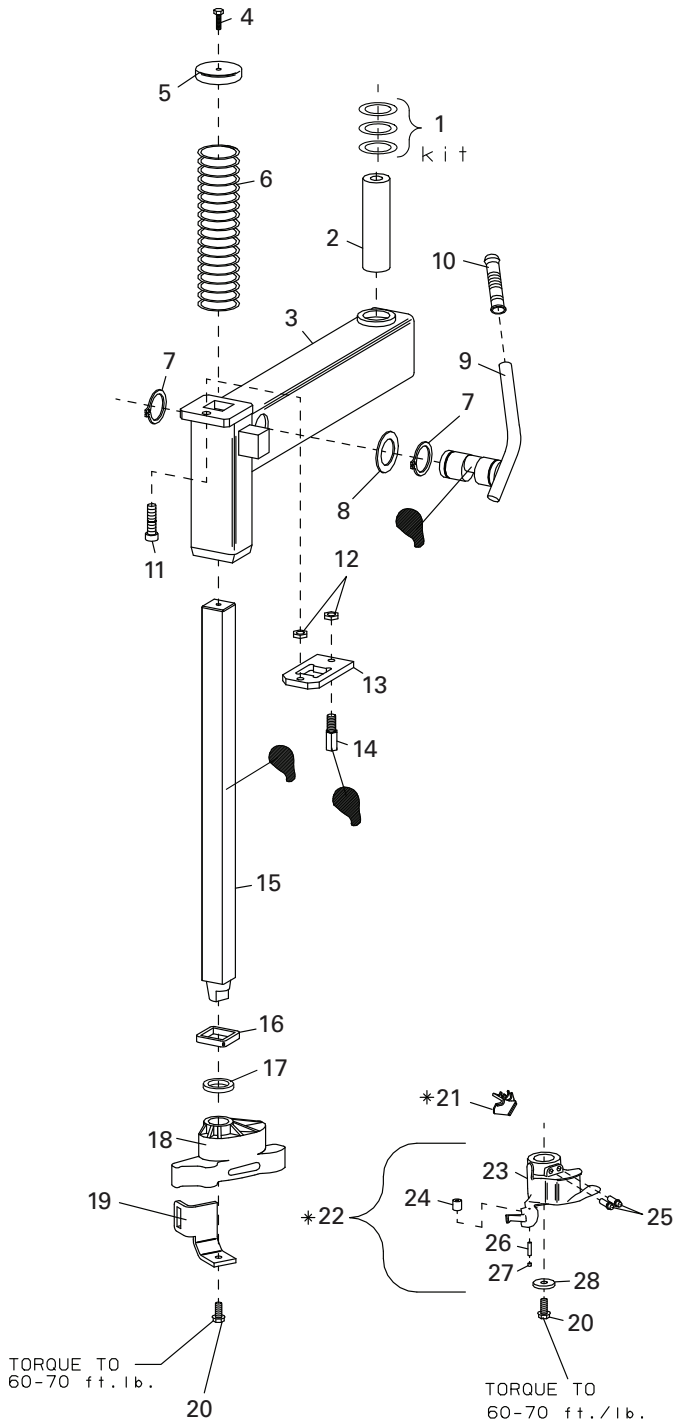


# Robo Arm Assembly

ITEM	PART NO.	DESCRIPTION
1	85009167	Plastic Foot Hold Down
2	905563	ø1/4" x 1-1/2" Roll Pin
3	8301017	ø1/2, Steel Ball
4	7000230	Rubber Hand Grip, 1/2"
5	8183637	Ext. Retaining Ring, ø2
6	8181983	10-24 x 3/4 Lg. BHSCS
7	***	Robo Arm Valve Assembly
8	8183644	Cyl. Assem. 2" Dia. x18" Stroke
9	8181997	90° Elbow 1/8 NPT x 1/8" Fitting
10	8181996	1/4 NPT x 1/8 Tube St. Fitting
11	8183649	1/4-20 x 5/16" Soc Hd Set Screw
12	8182044	Neoprene Cushion Clamp
13	8106301	1/4-20 x 3/4" Soc Hd HWHST Screw
14	8182016	3/4"-10 Nylon Insert Lock Nut, Gr.5
15	8100994	Flat Washer, 3/4"
16	8184905	Front Arm Weldment
17	8184904	Rear Arm Weldment
18	8181038	Swing Arm Pivot Pin
19	8183703	3/4-10 x 10-1/2" Hex Hd Cap Scr, Gr5
20	8184226	Grease Fitting, St.
21	8182457	3/4" SAE Washer
22	8181172	3/4-10 x 7-1/2 HHCS, Gr.5
23	8000378	1/4 NPT Brass Straight Fitting
24	8105615	Small Muffler
25	8185585	3 Position Valve
26	8109481	1/4 NPT x 1/8 NPT RDCR Fitting
27	8181997	1/8 NPT x 1/8" Male Elbow



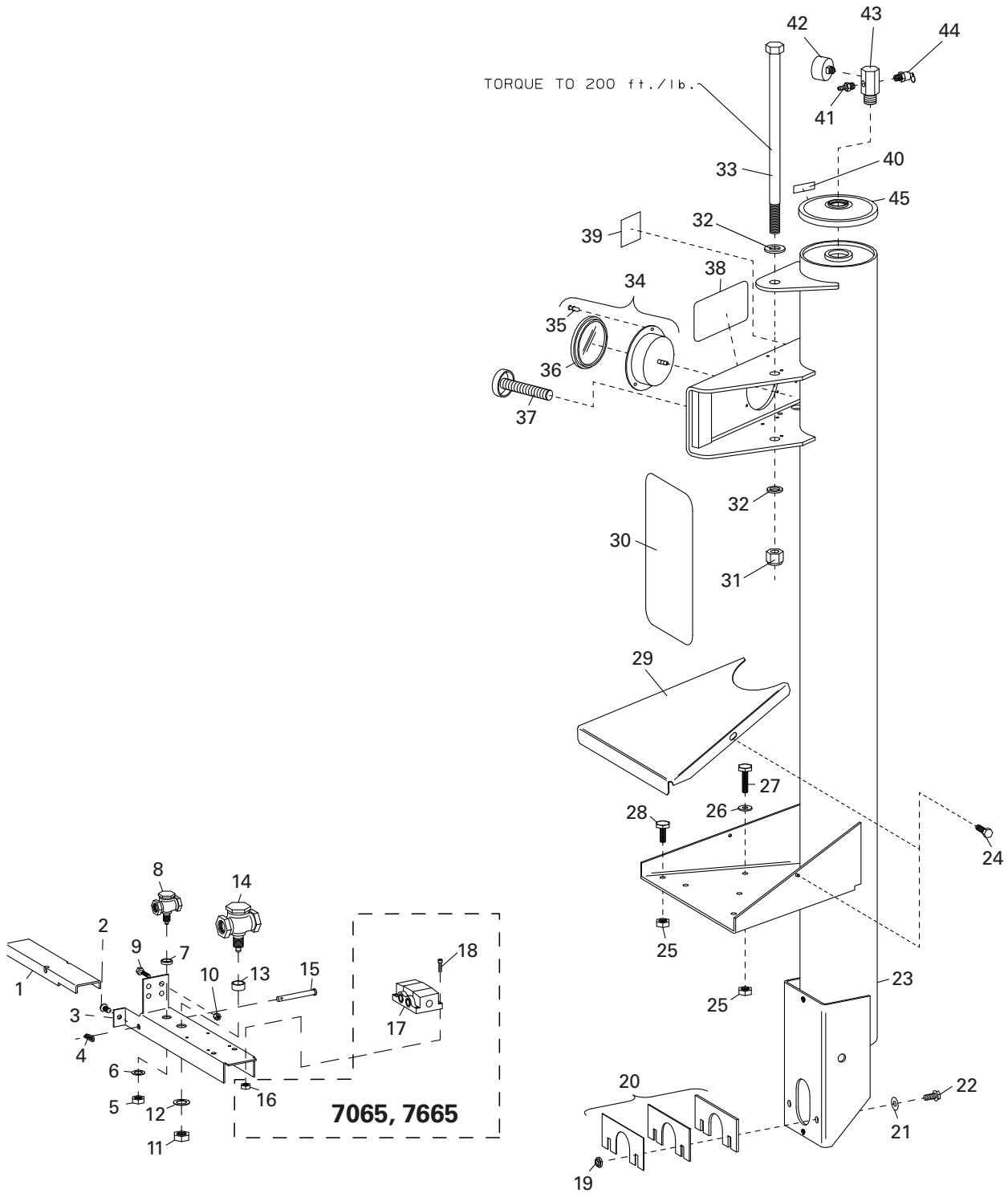
# Swing Arm Assembly



ITEM	PART NO.	DESCRIPTION
1	8182339	Shim Kit - Swing Arm
2	8181038	Pivot Pin-Swing Arm
3	8182820-2	Swing Arm, for R.H. Cam Lock
4	8182029	5/16-1 x 1-1/2 BHSCS, Gr.8
5	8181771	Knob - Vertical Slide
6	8182028	Spring-Vertical Slide (7050)
7	8181095	1-5/8 Snap Ring
8	8182371	Wave Washer, 1-5/8 Dia.
9	8183673	Lock Handle/Lift Cam W/C, R.H.
10	8100979	Handle Grip, Black Flex 3/4 I.D.
11	85606344	1/2 x 5/8 Shoulder Screw
12	8181113	1/2"-13 Jam Nut, Gr. 5
13	85606343	Lock Plate
14	8181035	Lift Pin-Lock Plate
15	8182812	Shaft-Vertical Slide
16	8182031	Rubber Bumper
17	8183033	Washer (7050)
18	8183061	Mount/Demount Head (Plastic)
19	8183665	Bracket Reciever, Bead Roller Tool
20	8106302	3/8" Whiz Lock Screw, Gr.5
21	8182770	Bootie-Mount/Demount Head-Single
	8182961	Mount/Demount Head Bootie-Pkg of 2
	8182963	Mount/Demount Head Bootie-Pk of 12
22	8182788	Mount/Desmount Head Assembly
23	8182026	Mount Demount Head Assembly (7060)
24	8181916	Roller 0.562 Diameter x 0.515 LG. (7060)
	8182787	Roller 0.562 Diameter x 0.515 LG. (7050, 7065, 7665)
25	8182813	3/8-16 x 3/4" Ctr Bore Cap Scr, Gr.8
26	8182786	5MM x 25MM Dowel Pin
27	8140667	1/4-20 x 1/4 Soc.Hd.Set Scr, Gr.8
28	8182027	Washer 7 ga. x .406 ID x 1.28 OD

 APPLY GREASE TO THESE LOCATIONS

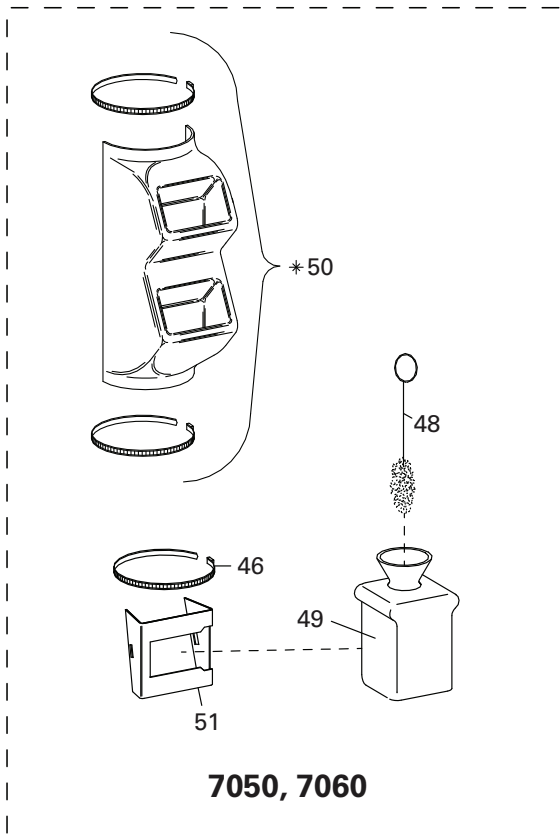
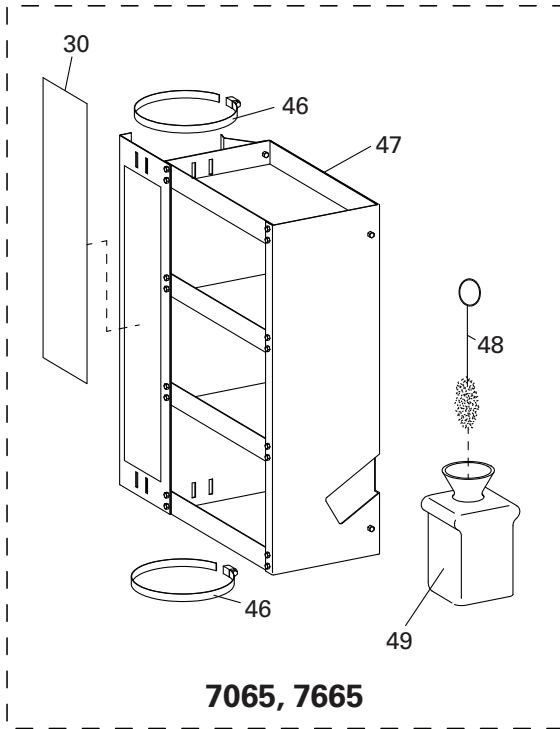
# Inflation Bracket and Tower Assembly





## (Inflation Bracket and Tower Assembly)

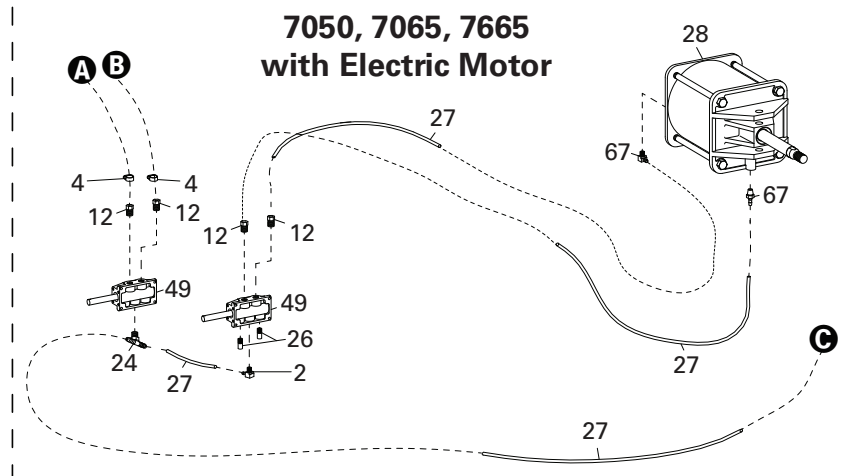
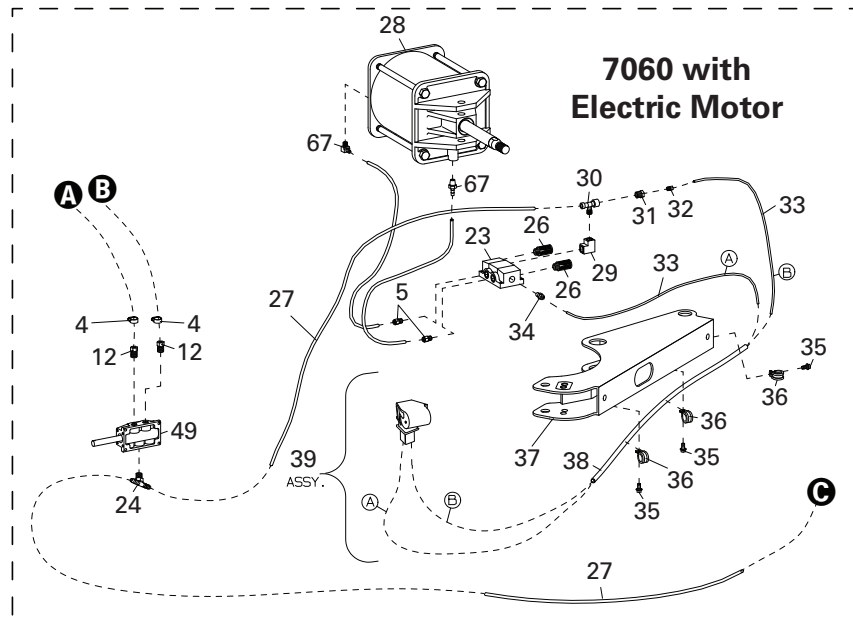
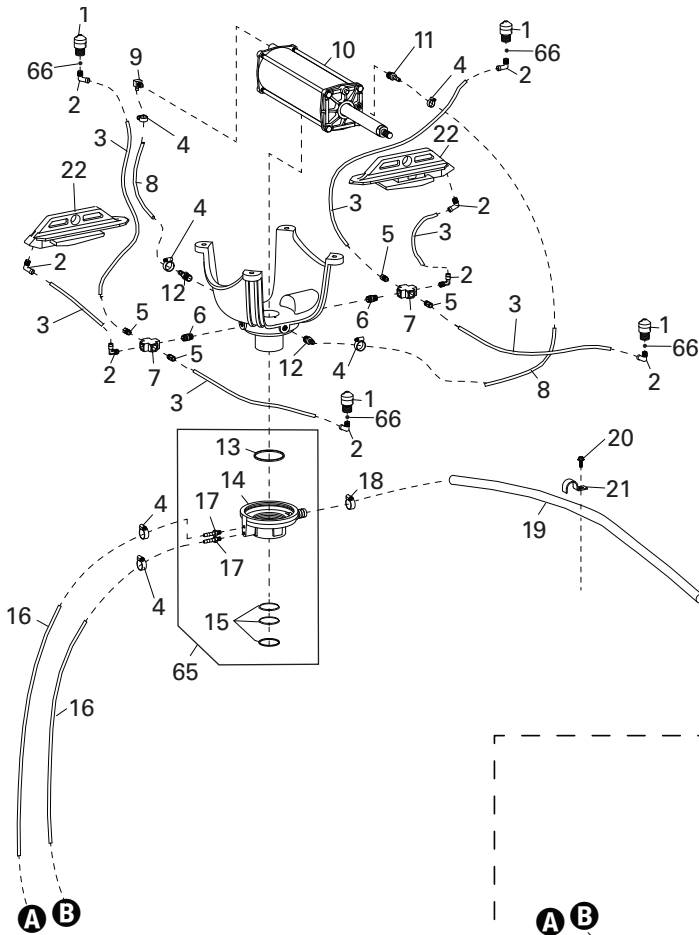
ITEM	PART NO.	DESCRIPTION
1	8181933	Pedal Inflation
2	8102459	3/8" Self Tap Screw Gr.5
3	8181932	Inflation Brkt.
4	8107407	Hitch Pin Retainer
5	8104611	5/8" N.F. Jam Nut Gr.5
6	8104613	5/8" Ext. Tooth Lock Washer
7	8104673	Bushing (1/4" Valve)
8	8104600	1/4" Valve Comp.
9	8120408	1/4-20 x 1-3/4 H.H. Cap Scr., Gr.5
10	8143169	1/4-20 Whiz Lock Nut, Gr.5
11	8104610	3/4" N.F. Jam Nut Gr.5
12	8104612	3/4" Ext. Tooth Lock Washer
13	8104674	Bushing (3/4" Valve)
14	8106298	3/4" Valve Ported 1/4"-18 NPT
15	8180103	3/8 x 3-1/4 Clevis Pin
16	8181682	10-24 Nylon Insert Lock Nut Gr.5
17	8181995	Valve, 4-Way w/Pull Pin (7065, 7665)
18	8182001	#10-24 x 3/4" Gr.5 Skt Hd St Cp Scr
19	8120424	3/8"-16 Wash Hd. Lock Nut Gr.5
20	8182076	Shim Kit
21	8000240	Washer 1" OD x 13/32 ID x 3/16"
22	8107715	3/8-16 x 1-1/4 Hex Hd. Cap Scr, Gr.8.8
23	8183622	Tower/Air Receiver (7050, 7060, 7065)
	8183764	Tower/Air Receiver (7665)
24	8106301	1/4 H.H. Self-Tap Screw Gr.5 (7050)
25	8106303	3/8" Whiz Lock Nut, Gr.5
26	8101018	Washer 0.392 x 0.687 x 0.0478
27	8181137	3/8-16 x 2-1/4 Hex Hd.Cap Scr, Gr.5
28	8106302	3/8" Whiz Lock Screw, Gr.5
29	8182805	Cover - Upper Tower Support (7050, 7065, 7665))
30	8182373	Decal, Warning
31	8182016	3/4"-10 Nylon Insert Lock Nut, Gr.5
32	8182457	3/4" SAE Washer
33	8183635	3/4-10 x 14" Hex Hd. Cap Scr, Gr.5
34	8107985	Flanged Air Gauge w/Fasteners
35	8107983	Plastic Fastener
36	8107517	Gauge Lens, Screw On
37	8181114	Knob Assy-Adjusting
38	8109888	Inflation Warning Decal
39	8109769	Decal - Release Valve
40	8182059	Decal, Line Press Gauge
41	8000378	1/4" Brass St. Fitting
42	8108968	Air Gauge
43	8183434	Manifold/Gauge Protector
44	8182599	Safety Valve
45	8182458	Plastic Cap (Tower)
46	8182221	Hose Clamp, 6" (7060, 7065, 7665)
47	8183509	Accessory Box Assembly (7065, 7665)
48	8000491	Lube Applicator
49	8106259	Lube Bottle (Red)
50	8181554	*Accessory Tray Kit (7050, 7060, 7065)
51	8182167	Lube Bottle Brkt-Red (7060)
	8182809	Lube Bottle Brkt-Red (7050, 7065, 7665)



# Pneumatic Diagrams

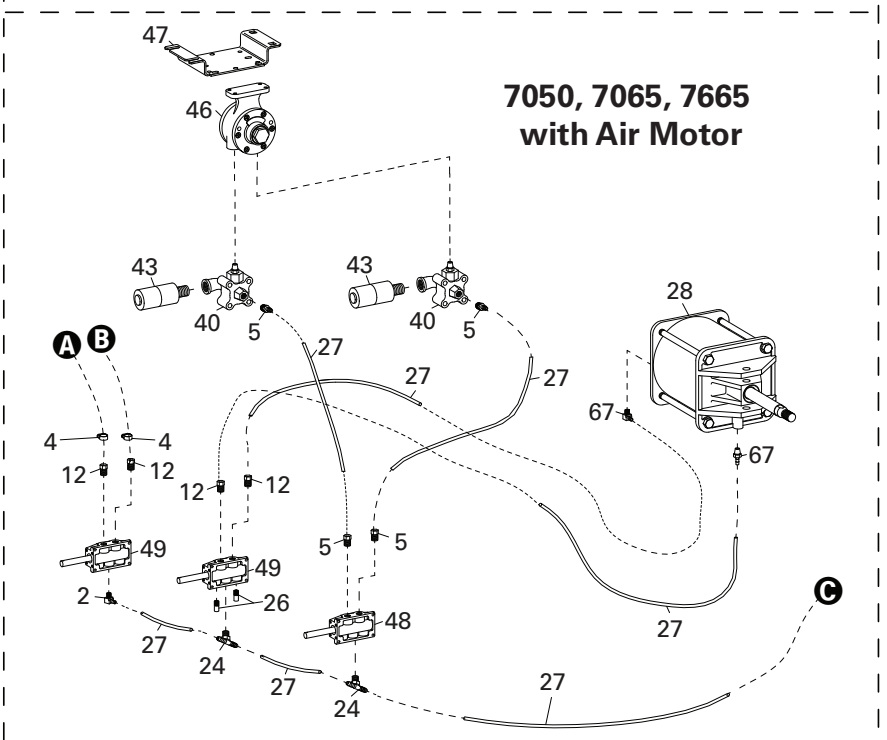
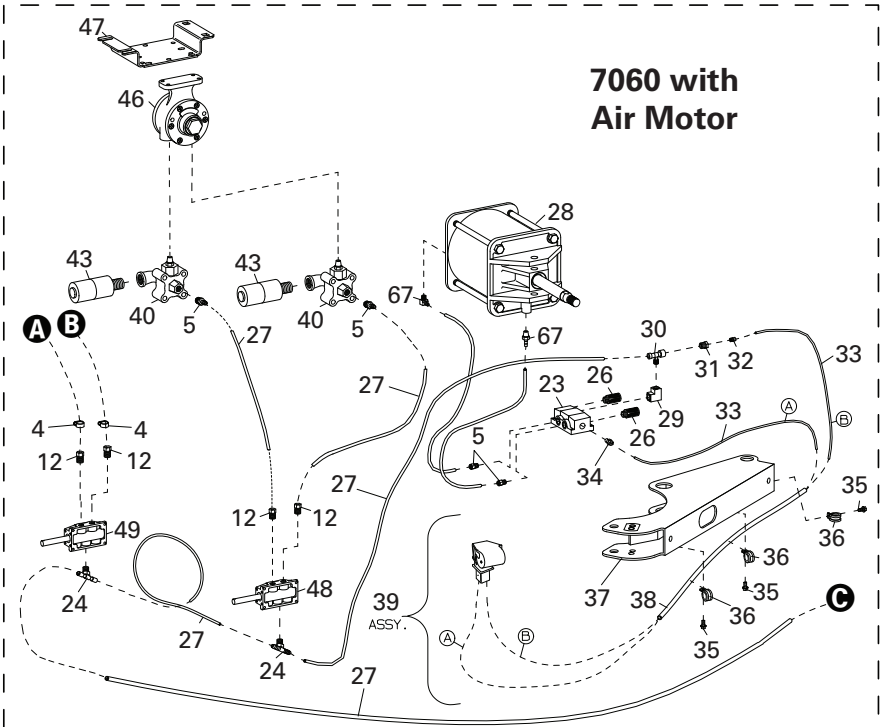
## ITEM PART NO. DESCRIPTION

ITEM	PART NO.	DESCRIPTION
1	8182024	Inflation Nozzle
2	8181998	Male Elbow 1/4 NPT x 3/8 Tube
3	8182836	3/8 OD x 15.5" Lg Nylon Tube
4	85606362	Hose Clamp-13mm Spring
5	8181999	Male Elbow 1/4 NPT x 3/8 Tube
6	8182366	1/4 NPT Close Nipple
7	8182367	1/4 NPT Brass Cross Fit.
8	8103649	ø1/4 x 12" Hose
9	8110497	Male Elbow 1/8 NPT x 1/4 Hose
10	8182613	Cylinder Assembly-Table Top
11	8182035	Male St Fit. 1/8 NPT x 1/4 Tube
12	8000378	1/4" Brass St. Fitting
13	8181713	O-Ring Seal, Large (2-244)
14	8181349	Rotary Coupling
15	8181712	O-Ring Seal, Small (2-142)
16	8106289	ø1/4" x 22" Hose
17	8104844	St Fitting 1/8 NPT x 1/4 Hose
18	8101346	3/4" Hose Clamp
19	8181954	Hose 3/4" x 31" Lg.-Black
20	8106301	1/4" Hex Hd Self Tap Screw, Gr.5 (7050)
21	8104564	Ring Clamp ø3/4" Hose (7050)
22	8182249	Carrier/Cover - Clamp Adj.
23	8181995	Valve, 4-Way piloted
24	8184467	Male Brch. Tee 1/4 NPT x 3/8 Tube



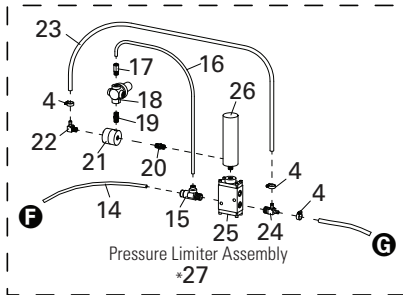
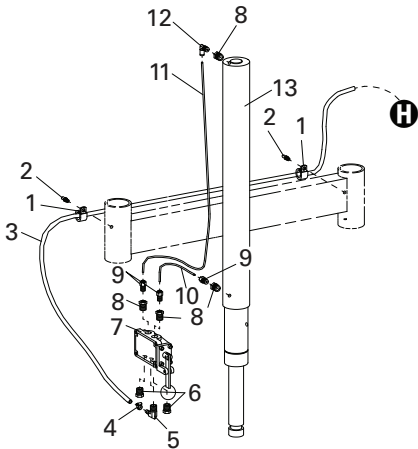
**(Pneumatic Diagrams, cont.)**

ITEM	PART NO.	DESCRIPTION	ITEM	PART NO.	DESCRIPTION
26	906960	1/4-18 NPT Muffler	38	8182008	Hose 3/8" x 50" (7060)
27	8184457	Red Rubber Hose, 3/8 x 25"	39	8182320	B.L. Handle/Valve Assembly (7060)
28	81833123	B.L. Cylinder Assembly (7060)	40	85606398	Exhaust Valve
	8183312	B.L. Cylinder Assembly (7050, 7065, 7665)	43	8181206	Muffler-1/2" NPT
29	8000372	1/4" x 90° Street Ell	46	8181190	Air Motor, Gast. 6AM
30	8183352	Fitting Kit, Special Male Branch Tee	47	8181931	Bracket, Motor Mounting
31	8109481	1/4 x 1/8 Brass Bushing (7060)	48	8184369	Valve, 4-Way w/Pull Pin
32	8181996	1/8 NPT x 1/8 Tube Male St. Fit. (7060)	49	8181986	Valve, 4-Way w/Pull Pin
33	8182007	ø1/8" x 60" Nylon Tube (7060)	65	8182619	Rotary Coupling Assembly
34	8181987	1/8 NPT x 1/8 Tube Str. Ftg. (7060)	66	8182025	Steel Ball
35	8142844	1/4-20 Gr.5 Hex Hd. Self-Tap Scr (7060)	67	8000376	ELL 90° 1/4 Hose Fitting
36	8182044	Hose Clamp (7060)		8184256	ELL 90° 3/8 Hose Fitting
37	8182002	B.L. Arm (7060)			

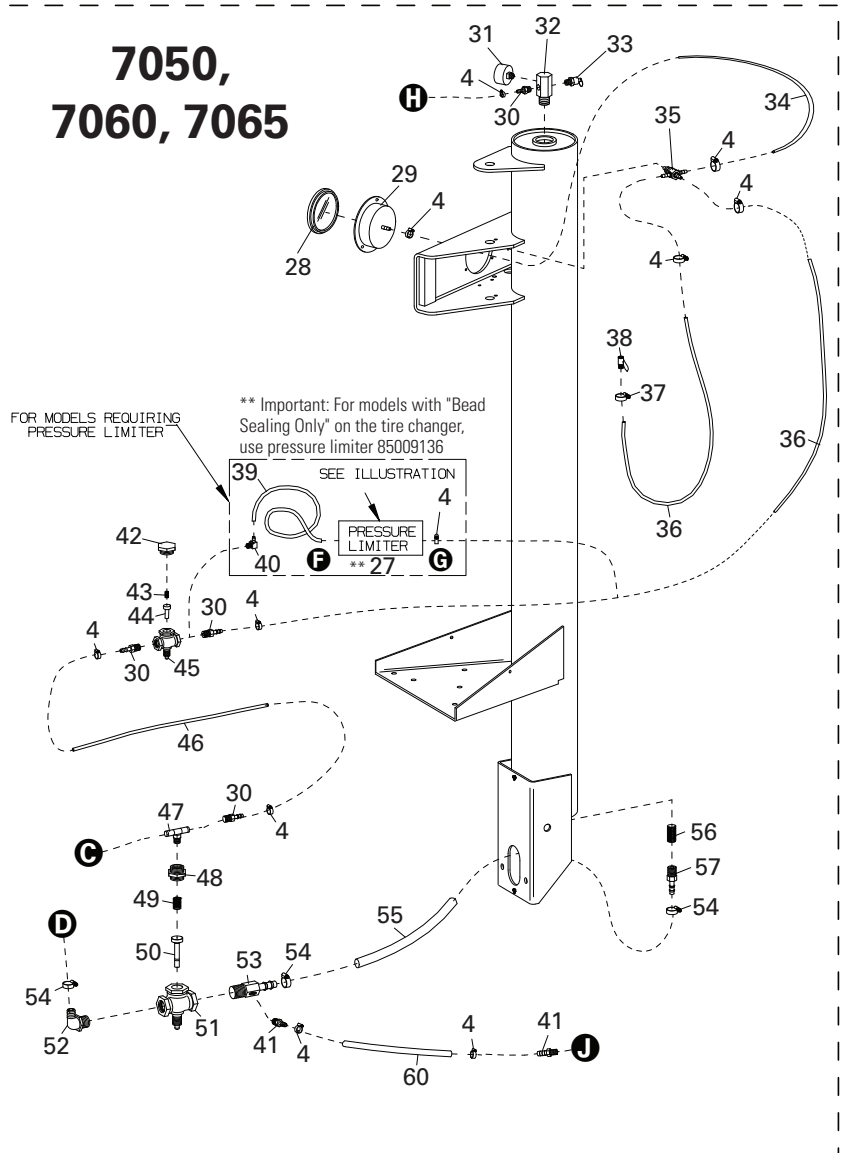


## (Pneumatic Diagrams, cont.)

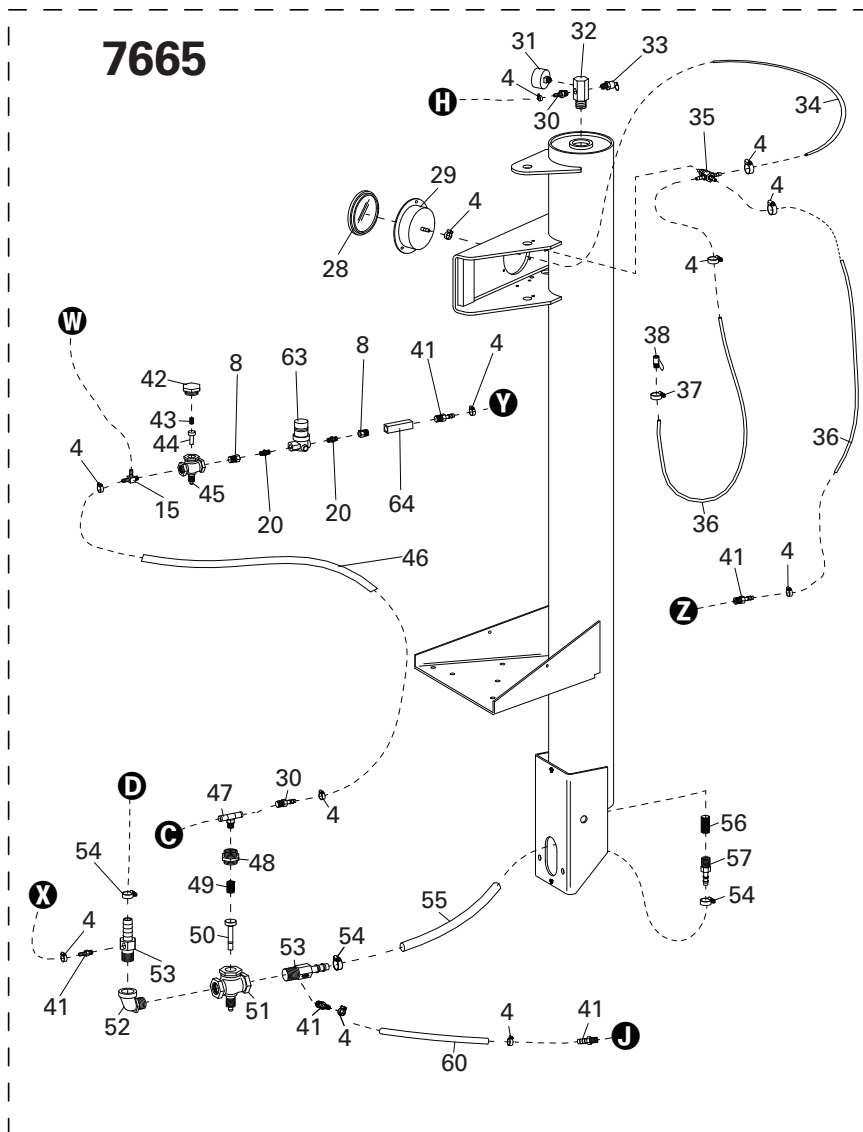
ITEM	PART NO.	DESCRIPTION
1	8182044	Hose Clamp
2	8184226	Grease Fitting, St.
3	850007297	1/4" x 58" Red Rubber Hose
4	85606362	Hose Clamp-13mm Spring
5	8000376	ELL 90° 1/4 Hose Fitting
6	8105615	Muffler 1/4" NPT
7	8183642	Valve, 3 Pos, Hand Operated
8	8109481	1/4 x 1/8 Brass Bushing
9	8181996	1/8 NPT x 1/8 Tube Male St. Fit.
10	8183679	Tube, $\phi$ 1/8" x6"
11	8183680	Tube, $\phi$ 1/8" x27"
12	8181997	Fitting, 90° Elbow 1/8 x 1/8
13	8183644	Cyl. Assem. $\phi$ 1/2" x18" Stroke
14	8184459	Black Rubber Hose, 3/8 x 25"
15	8110325	1/4" NPT Male Run Tee
16	8182038	Nylon Tube 1/4 OD x 12.5" Lg.
17	8182035	Male St Fit. 1/8 NPT x 1/4 Tube
18	8111083	Regulator
19	8109472	1/8" Inline Filter
20	8109471	1/8" Brass Hex Nipple
21	8109468	Pressure Repeater
22	8110497	Male Elbow 1/8 NPT x 1/4 Hose
23	8103649	$\phi$ 1/4 x 12" Hose
24	8111255	Spl Tee-1/4 NPT x 3/8 x 1/4



## 7050, 7060, 7065

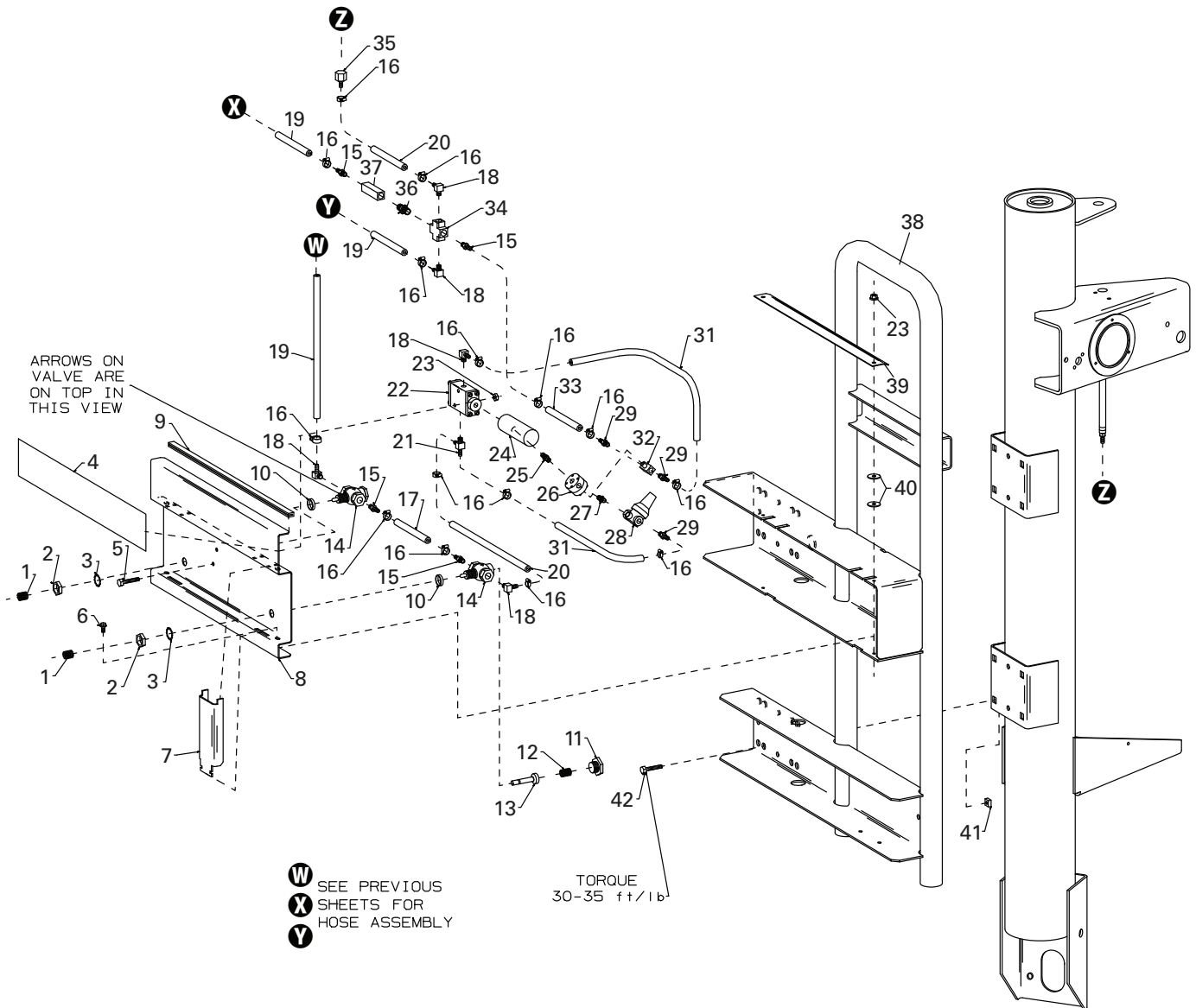


ITEM	PART NO.	DESCRIPTION	ITEM	PART NO.	DESCRIPTION
25	8109466	Valve-Piloted	47	8183352	Fitting Kit, Special Male Branch Tee
26	8110496	Volumn Chamber	48	8106298	Valve PPT, 1/4-18 NPT
27	85000816	Pressure Limiter (7060)	49	8104651	Spring, 3/4" Valve
	85009136	**Pressure Limiter (7060)	50	8104652	Poppet, 3/4" Valve
28	8107517	Gauge Lens, Screw On	51	8106298	3/4" Valve Ported 1/4"-18 NPT
29	8107985	Flanged Air Gauge w/Fasteners	52	8107924	3/4 Nylon Elbow
30	8000378	1/4" Brass St. Fitting	53	8182020	3/4 NPT x 1/4 NPT St. Fit. (7060, 7065, 7665)
31	8108968	Air Gauge	54	8101346	3/4" Hose Clamp
32	8183434	Manifold/Gauge Protector	55	8181993	Hose, 3/4" x 15 1/2"
33	8182599	Safety Valve (7060, 7065, 7665)	56	8182464	Strainer Screen
33	8104968	Safety Valve (7050)	57	8104573	Fitting, Straight-3/4"
34	8000481	Hose 1/4" x 6	60	8182497	Hose 3/8" x 36" Lg.
35	8183502	Manifold Bleed Valve Assembly	61	8181147	Hose 3/8 x 17-1/4" Lg.
36	8182090	Hose 3/4" x 65" Lg.	63	8182998	Regulator, 40 PSI (7665)
37	8105822	ø9/16" Hose Clamp	64	8104969	Check Valve (7665)
38	8410419	Air Chuck			
39	8182005	Nylon Tube 3/8" x 18-34" Lg.			
40	8181998	Male Elbow 1/4 NPT x 3/8 Tube			
41	8101898	3/8" Hose Fitting			
42	8105671	End Cap, 1/4" Valve			
43	8102468	Poppet Spring, 1/4" Valve			
44	8104649	Poppet, 1/4" Valve			
45	8104600	1/4" Valve Comp.			
46	8106288	Hose 1/4 x 16-1/4"			



# Inflation Guard Assembly - 7665

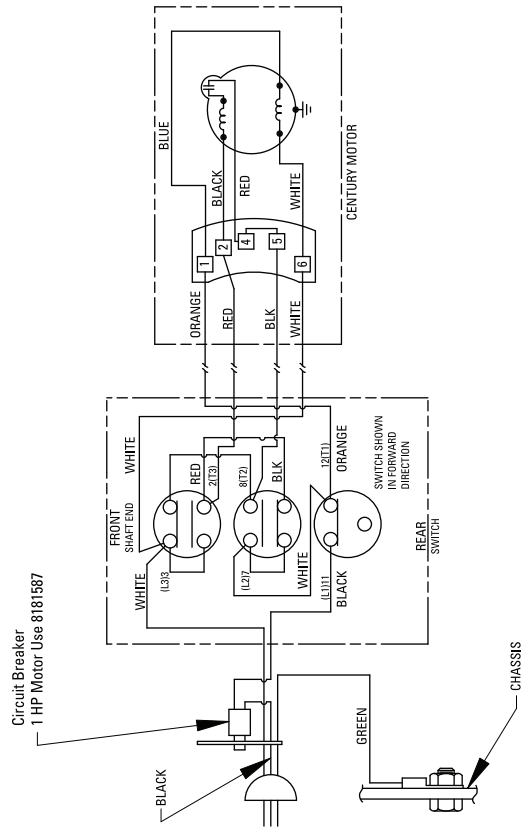
ITEM	PART NO.	DESCRIPTION	ITEM	PART NO.	DESCRIPTION
1	8182318	Handle Spring-B.L. (7665)	23	8143169	1/4-20 Whiz Lock Nut, Gr.5
2	8104611	5/8" N.F. Jam Nut Gr.5	24	8110496	Volumn Chamber
3	8104613	5/8" Ext. Tooth Lock Washer	25	8109471	1/8" Brass Hex Nipple
4	8182981	Warning Decal	26	8109468	Pressure Repeater
5	8120408	1/4-20 x 1-3/4 H.H. Cap Scr., Gr.5	27	8109472	1/8" Inline Filter
6	8106301	1/4" Hex Hd Self Tap Screw, Gr.5	28	8111083	Regulator
7	8182862	Valve Actuator	29	8104844	St Fitting 1/8 NPT x 1/4 Hose
8	8182842	Front Cover	31	8102048	ø1/4" x 15" Hose
9	8183067	Trim Strip, 19"	32	8110328	Tee, 1/8" NPT
10	8104673	Bushing (1/4" Valve)	33	8181213	ø1/4" x 3" Hose
11	8105671	End Cap, 1/4" Valve	34	8182367	1/4 NPT Brass Cross Fit.
12	8102468	Poppet Spring, 1/4" Valve	35	8108605	Female Coupling Assembly
13	8104649	Poppet, 1/4" Valve	36	8000580	Nipple - Close, 1/4 NPT
14	8104600	1/4" Valve Comp.	37	8104969	Check Valve
15	8000378	1/4" Brass St. Fitting	38	8183120	Inflation Guard Pkg
16	85606362	Hose Clamp-13mm Spring	39	8183237	Safety Cage Handles Cover
17	8103649	ø1/4 x 12" Hose	40	920531	Washer, ø1" x 0.281 x 0.063
18	8000376	ELL 90° 1/4 Hose Fitting	41	8014044	Speed Grip
19	8182090	Hose 3/4" x 61" Lg.	42	8106302	3/8" Whiz Lock Screw, Gr.5
20	8106289	ø1/4" x 22" Hose	43	8182846	1/2-13 x 5 U-Bolt
21	8110325	1/4" NPT Male Run Tee	44	8301122	500-13 NYLK Hex Nut
22	8109466	Valve-Piloted			



# Electric Schematic

## Wiring Diagram

### Domestic & C.S.A.



To reverse rotation, interchange red and black wires at motor.

# Rim Clamp® Tire Changer

## All-Air Unit Compressed Air Requirements

COATS® Rim Clamp® tire changers that are powered entirely by air (no electric motor) require a single compressed air power source. Refer to the table below for exact specifications.

Tire Changer Model	Compressor Size	Capable of
7665 AX	5HP	14-15 SCFM at 150 PSI
7060/7065 AX/EX	5HP	14-15 SCFM at 150 PSI
7050 AX/EX	5HP	14-15 SCFM at 150 PSI

## Oil Injector Maintenance

Add oil to the tank if the fluid level is more than 1/4" from the top of the gauge. Remove the filler cap, and add Texaco Rando® HD22 or SAE 10W non-detergent oil to bring the level up to 1/4" from the top of the gauge. Replace the filler plug and clean up any spilled oil.

## Transmission Lubrication

The transmission in this machine is a sealed unit packed with grease and should need no regular maintenance.

## Air Gauge Check and Recalibration

- 1.** Inflate a standard 15" passenger car tire/wheel assembly to 32 PSI. Use a high quality stick-type pressure gauge to verify the pressure. Attach the tire changer's inflation hose to the valve stem and check the pressure reading on the air gauge. If it does not read 32 PSI, recalibrate the gauge.
- 2.** Remove the screw-on lens. Loosen the 2 screws on the face of the gauge. Loosen them just enough so that the gauge face moves. Do not remove the screws.
- 3.** Rotate the gauge face until the 32 PSI mark is aligned with the gauge needle. Tighten the 2 screws and replace the lens.

## Danger, Warning, Caution, and Instructional Decals

Always make the cleaning of these important decals a part of your regular maintenance routine. If they are damaged or illegible, replace them immediately. Your safety, and the safety of others is involved!