

COATS 705 SUPER TWIN-AIR

This Parts List is for

machines with

Serial No. 705-20,000 and up

Manufactured by The Coats Co., Inc.

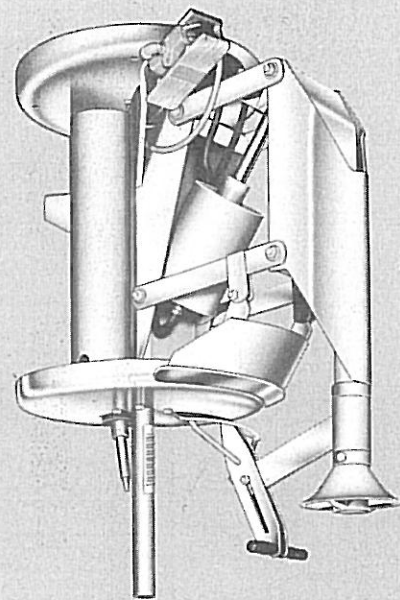
1601 J. P. Hennessy Drive

Antioch, Tennessee 37013

PHONE: 615-793-7533

TELEX: 810-380-4372

ORDER PARTS FROM YOUR DISTRIBUTOR OR JOBBER



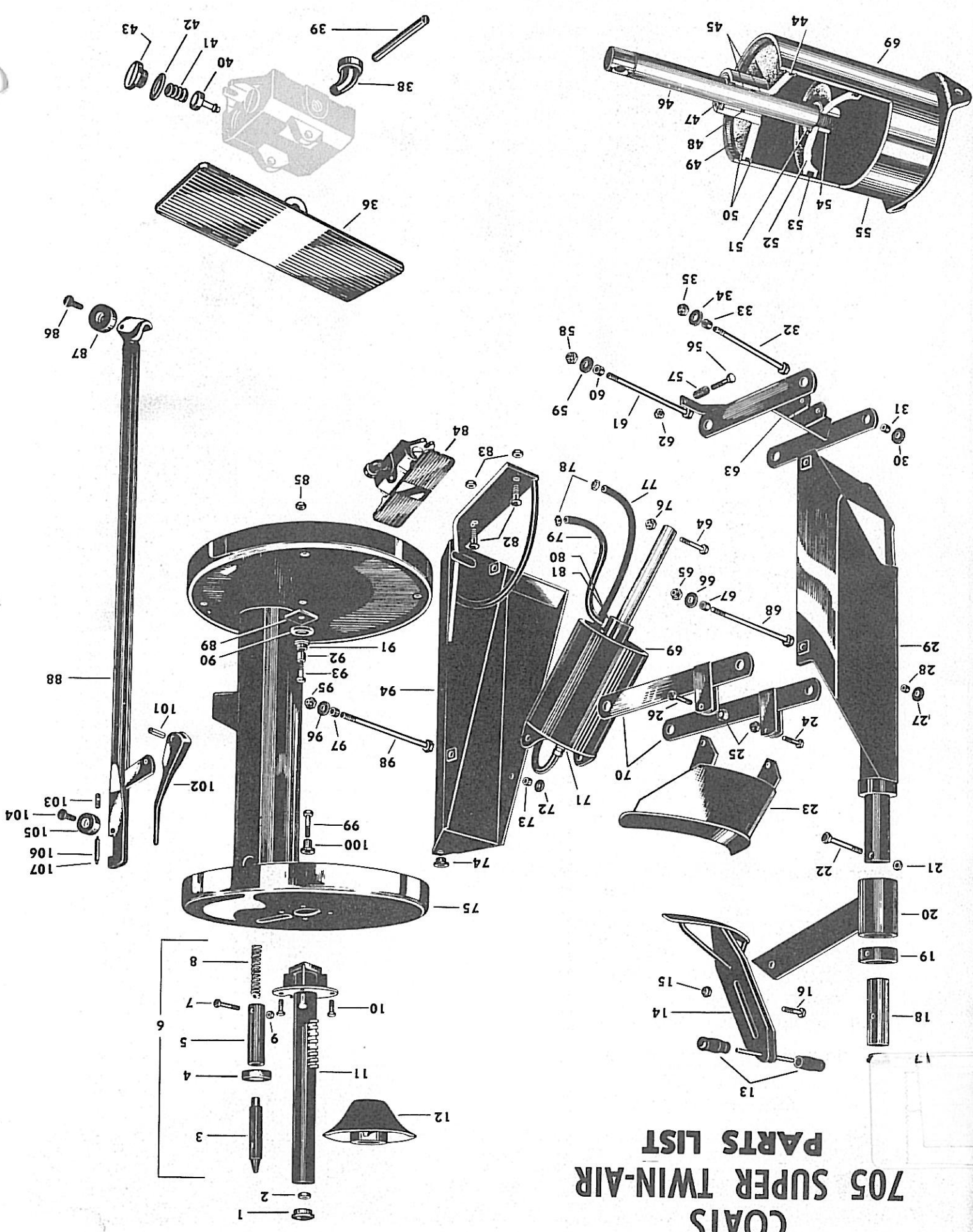
Ref. Part No.	Description	Ref. Part No.	Description
1	000437	61	101311 7/16" x 8-5/8" Bolt
2	000554	62	000516 3/8" Lock Nut
3	000307	63	000445 Bottom Strut Assembly
4	000310	64	000458 7/16" x 2-1/4" Bolt
5	000305	65	000554 7/16" Lock Nut
6	000306	66	000448 3/8" Washer
7	000586	67	000447 Hardened Linkage Bushing
8	000308	68	101311 7/16" x 8-5/8" Bolt
9	000516	69	000460 Air Cylinder Complete (Exchange)
10	000311	70	000443 Top Strut Assembly (2)
11	000434	71	000378 Straight Fitting
12	000433	72	000448 3/8" Washer
13	000441	73	000447 Hardened Linkage Bushing
14	000440	74	000452 Cylinder Mount Pivot Bearing
15	000516	75	000435 Chassis
16	000899	76	000554 7/16" Lock Nut
17	000437	77	101431 Long Air Hose and Clamps
18	000439	78	101428 Hose Clamp (Ea.)
19	000393	79	101432 Short Air Hose and Clamps
20	000442	80	000378 Straight Fitting (Less Fittings)
21	000516	81	000372 Street Ell
22	000279	82	001133 5/16" x 1" Bolt (Ea.)
23	000444	83	100913 5/16" Lock Nut (Ea.)
24	000551	84	000364 Foot Operated Air Valve Complete (Exchange)
25	000516	85	000554 7/16" Lock Nut
26	000551	86	000331 Combination Tool Mounting Bead
27	000448	87	000330 Combination Tool Mounting Bead
28	000447	88	000469 Combination Tool Complete
29	000438	89	000457 Lower Pivot Plate
30	000448	90	000456 Snubbing Ring
31	000447	91	000452 Cylinder Mount Pivot Bearing
32	101311	92	000455 Lower Pivot Bushing
33	000447	93	000454 7/16" x 1-13/16" Bolt
34	000448	94	000436 Cylinder and Linkage Mount
35	000554	95	000554 7/16" Lock Nut
36	000365	96	000448 3/8" Washer
37	000370	97	000447 Hardened Linkage Bushing
38	000372	98	101311 7/16" x 8-5/8" Bolt
39	000373	99	000454 7/16" x 1-13/16" Bolt
40	000368	100	000453 Upper Pivot Bushing
41	000369	101	000432 3/8" x 1" Roll Pin
42	000370	102	000431 Finger
43	000371	103	000326 Combination Tool under Bead Roll
44	000465	104	000328 Combination Tool Dismounting
45	000466	105	000327 Combination Tool Dismounting
46	000464	106	000324 Combination Tool under Bead
47	000362	107	000325 Combination Tool under Bead
48	000360		Roller Shafts (2)
49	000463		
50	000467		
51	000356		
52	000355		
53	000357		
54	000354		
55	000462		
56	000449		
57	000451		
58	000554		
59	000448		
60	000447		

When ordering parts always give the following information: (1) Part Number (2) Description (3) Serial Number of Your Machine

Printed U.S.A.

104171

COATS 705 SUPER TWIN-AIR PARTS LIST



When ordering parts always give the following information: (1) Part Number (2) Description (3) Serial Number of Your Machine