

COATS®

5035 A/E Rim Clamp® Tire Changer



Parts Identification

READ these instructions before placing unit in service KEEP these and other materials delivered with the unit in a binder near the machine for ease of reference by supervisors and operators.

HENNESSY INDUSTRIES, INC.

1601 J. P. Hennessy Drive, LaVergne, TN USA 37086-3565 615/641-7533 800/688-6359

HENNESSY INDUSTRIES INC. Manufacturer of AMMCO®, COATS® and BADA® Automotive Service Equipment and Tools.

Manual Part No.: 8183817 12

Revision: 4/13

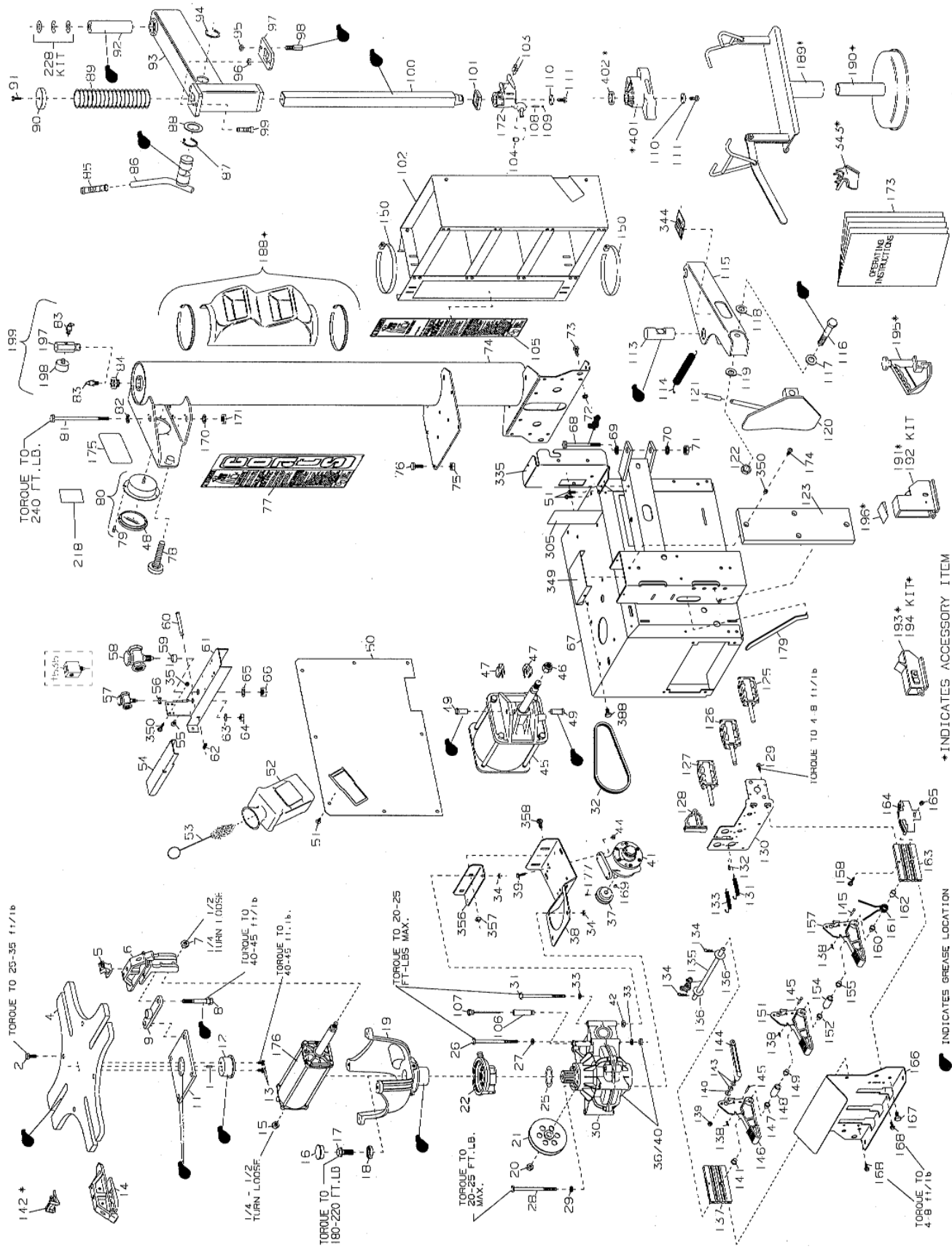
Ref	Part #	Description	Ref	Part #	Description	Ref	Part #	Description
1	8181929	Skt. Hd. Cap Scr., 3/8-16 x 1", Gr.8	44	8181369	1/4-20 Nylon Insert Lock Nut Gr.5	83	8182599	Safety Valve
2	8182952	Table Top Plate	45	8183325	7" Bead Loosener Cylinder Assbly	84	8101312	Reducer Bushing 3/4 x 1/4 NPT
5	8181677	Clamp	46	8182016	3/4"-10 Gr.5 Nylon Insert Lock Nut	85	8100979	Handle Grip, Black Flex 3/4 I.D.
6	8184924	Carrier/Cover - Cylinder End	47	8181912	Clip, Clevis	86	8181082	Lock Handle/Lift Cam W/C
7	8183476	Roll Pin - Ø1/4" x 3/4"	48	8107517	Gauge Lens, Screw On	87	8181095	1-5/8 Snap Ring
8	8182279	Link Bolt - Table Top	49	8181949	Clevis Pin-5/8 x 1-3/8	88	8182371	Wave Washer, 1-5/8 Dia.
9	8182627	Cap Plug - 1-5/8" Dia.	50	8182554	Side Cover Panel	89	8182028	Spring-Vertical Slide
10	8181734	Pivot Link W/C	51	8106301	1/4" H.H. Self Tap Scr., Gr.5	90	8181771	Knob-Vertical Slide
11	8181731	Pivot Plate - Table Top	52	8106259	Lube Bottle (Red)	91	8182029	5/16-1 x 1-1/2 BH Soc Cap Scr, Gr.8
12	8181733	Pivot Block	53	8000491	Lube Applicator	92	8181038	Pivot Pin-Swing Arm
13	8183452	Flange Whiz-lock Scr., 5/16-18 x 5/8"	54	8181933	Pedal Inflation	93	8182577	Swing Arm (Red)
14	8184925	Carrier/Cover - Clamp	55	8102459	3/8" Self Tap Screw Gr.5	94	8181095	1-5/8 Snap Ring
15	8101039	Nut - Lock, 1/2", Gr.5	56	8104673	Bushing (1/4" Valve)	95	8181113	1/2"-13 Jam Nut Gr.5
16	8181634	Cylinder Assembly-Table Top	57	8104600	1/4" Valve Comp.	96	8181113	1/2"-13 Jam Nut Gr.5
17	8101039	Nut - Lock, 1/2", Gr.5	58	8106298	3/4" Valve Ported 1/4"-18 NPT	97	85606343	Lock Plate
18	8181742	16MM x 40mm Hex Head Bolt Gr.10.9	59	8104674	Bushing (3/4" Valve)	98	8181035	Lift Pin-Lock Plate
19	8182979	Washer - Molded, Ø16mm	60	8180103	3/8 x 3-1/4 Clevis Pin	99	85606344	1/2 x 5/8 Shoulder Screw
20	8181990	Spider Assembly	61	8181932	Inflation Brkt.	100	8182767	Vertical Slide Shaft
21	8181658	Pulley-Transmission	62	8107407	Hitch Pin Retainer	101	8182031	Bumper-Rubber
22	8182619	Rotary Coupling Assembly	63	8104613	5/8" Ext. Tooth Lock Washer	102	8183509	Accessory Box Assembly
23	8181713	O-Ring Seal, Large (2-244)	64	8104611	5/8" N.F. Jam Nut Gr.5	103	8182813	Counter Bore Cap Screw 1/4-20 x 3/4
24	8181712	O-Ring Seal, Small (2-142)	65	8104612	3/4" Ext. Tooth Lock Washer	104	8182787	Roller .562 Diameter x .515 LG.
25	8183156	Washer - Ø2" X Ø2 3/4" x .010	66	8104610	3/4" N.F. Jam Nut Gr.5	105	8182373	Warning Decal
26	8110653	3/8-16 x 6" Gr.5 Capscrew	67	8183177	Chassis	107	8182186	Dipstick-Transmission, Cap Plug
27	8301032	3/8 Flat Washer, Zinc Plate	68	8182579	3/4-10 x 5 Hex Hd. Cap Scr, Gr.5	108	8182786	5MM x 25MM Dowel Pin
28	8110653	3/8-16 x 6" Gr.5 Capscrew	69	8182457	Washer, 1 1/2" x .812 x .135	109	8140667	1/4-20 x 1/4 Soc.Hd.Set Scr, Gr.8
29	8301032	3/8 Flat Washer, Zinc Plate	70	8182457	Washer, 1 1/2" x .812 x .135	110	8182027	Washer 7 ga. x .406 ID x 1.28 OD
30	85607709	Transmission Kit	71	8182016	3/4"-10 Gr.5 Nylon Insert Lock Nut	111	8106302	3/8" Whiz Lock Screw, Gr.5
31	8110653	3/8-16 x 6" Gr.5 Hex Hd Cap Screw	72	8106303	3/8" Whiz Lock Nut, Gr.5	113	8182550	Pivot Pin, B.L. Cylinder Rod
32	8181205	Belt	73	8106302	3/8" Whiz Lock Screw, Gr.5	114	8180230	B.L. Spring
33	8301032	3/8 Flat Washer, Zinc Plate	74	8182500	Tower/Air Receiver (Red)	115	8182581	Bead Loosener Arm
34	8106303	3/8" Whiz Lock Nut Gr5	75	8106303	3/8" Whiz Lock Nut, Gr.5	116	8182579	3/4-10 x 5 Hex Hd. Cap Scr, Gr.5
35	8301032	3/8 Flat Washer, Zinc Plate	76	8106302	3/8" Whiz Lock Screw, Gr.5	117	8182457	Washer, 3/4"
36	8000516	3/8-16 Hex Lock Nut Gr5	77	8182962	Warning Decal (Standard)	118	8182558	3/4" Belleville Washer
37	8182571	Motor Pulley - Air Motor	78	8102593	Adjustment Knob Assembly	119	8182557	BL Washer Spacer
38	8182784	Motor Mounting Bracket (Red)	79	8107983	Plastic Fastener	120	8182473	Bead Loosener Shoe
39	8181984	Hx.Hd.Cp.Scr., 1/4-20 x 1", Gr.5	80	8107985	Flanged Air Gauge w/Fasteners	121	8107107	Grip-Handle
40	8000516	3/8-16 Hex Lock Nut Gr5	81	8181172	3/4 x 7-1/2" Gr5 Hex Hd Cap Scr	122	8182016	3/4"-10 Gr.5 Nylon Insert Lock Nut
41	8182572	Air Motor	82	8182457	Washer, 3/4"	123	8183034	Bead Loosener Front Pad
42	8106303	3/8" Whiz Lock Nut, Gr.5				124	8181065	B.L. Center Pad
						125	85606879	Valve, 4-Way w/Pull Pin
						126	85606879	Valve, 4-Way w/Pull Pin

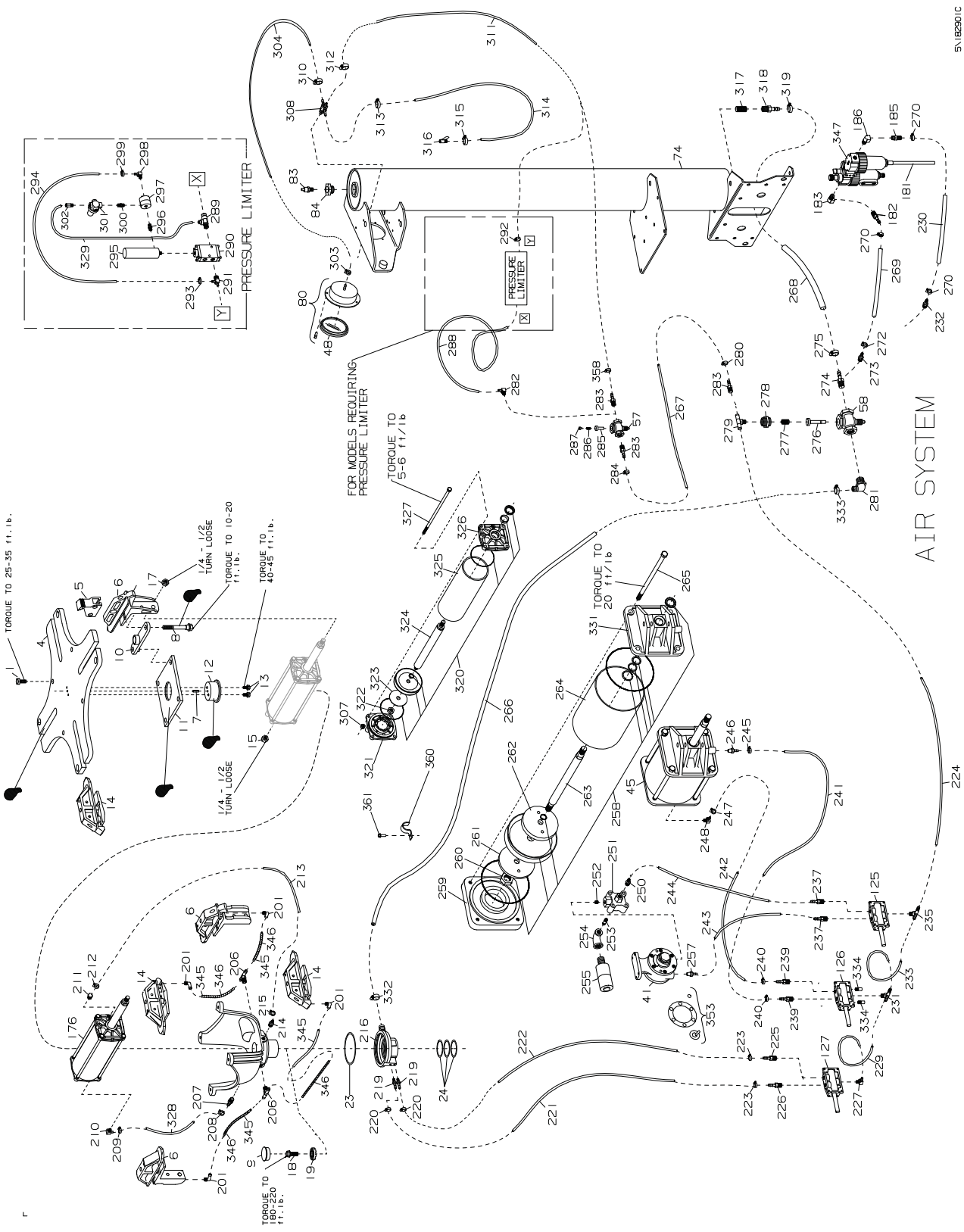
Ref	Part #	Description	Ref	Part #	Description	Ref	Part #	Description
127	85606879	Valve, 4-Way w/Pull Pin	173	8183818	Operating Instructions (Std)	223	8101428	Hose Clamp-1/4 I.D. Hose
128	8181695	Cam Mounting Block	174	8182088	5/16 x 1 Torx Screw, Gr.5	224	8182005	3/8 x 20" Nylon Tube
129	8106301	1/4" H.H. Self Tap Scr., Gr.5	175	8109888	Inflation Warning Decal	225	8000378	1/4" Brass St. Fitting
130	8183031	Bracket-Valve Mounting	176	8182613	Cylinder Assembly-Table Top	226	8000378	1/4" Brass St. Fitting
131	8181708	Extension Spring, Pedal	177	8180217	5/16-18 x 3/8" SHCS Gr5	227	8181998	Male Elbow 1/4 NPT x 3/8 Tube
132	8181989	10-24 x 3/8 Soc Head Cap Scr, Gr.8	179	8181354	Bead Lifting Tool	228	8182339	Shim Kit-Swing Arm
133	8181708	Extension Spring, Pedal	180	8182366	1/4" NPT Brass Close Nipple	229	8182005	3/8 x 20" Nylon Tube
134	8111609	Cotter, Hair Pin	181	8102459	3/8-16 x 3/4 Self Tap Screw Gr5	230	8181147	Hose 3/8 x 17-1/4" Lg.
135	8183398	Pedal Shaft	182	8101898	3/8" Hose Fitting	231	8181988	Male Brch. Tee 1/4 NPT x 3/8 Tube
136	8301121	Washer	183	8000372	1/4" x 90° Street Ell	232	8101898	3/8" Hose Fitting
137	8181918	Bar-Valve Brkt. Spacer	184	8182952	Table Top Plate without Jets	233	8182005	3/8 x 20" Nylon Tube
138	8120469	Hair Pin Cotter	185	8101898	3/8" Hose Fitting	235	8181988	Male Brch. Tee 1/4 NPT x 3/8 Tube
139	8181369	Nut - Lock, Nyl. Ins., 1/4-20, Gr.5	*186	8000372	1/4" x 90° Street Ell	237	8181999	Male Elbow 1/4 NPT x 3/8 Tube
140	8107635	5/16" Flat Washer	*188	8181554	Accessory Tray Kit	239	8000378	1/4" Brass St. Fitting
141	8181948	Bearing-Nyliner, 1/2"	*189	8108028	Tire Spreader	240	8101428	Hose Clamp-1/4 I.D. Hose
*142	8183604	Boogie, Rim Clamp, Pkg of 10	*190	8181329	Spreader Base-Rim Clamp	241	8106289	Ø1/4" x 22" Hose
143	8181981	Wave Washer, 5/16" I.D.	*191	8235208	Motorcycle Clamp (Tall)	242	8106289	Ø1/4" x 22" Hose
144	8181696	Lever-Cam Follower	*192	8181619	Motorcycle Clamp Kit (Tall)	243	8182005	3/8 x 20" Nylon Tube
145	8183399	Clevis Pin 3/16" x 1-1/2"	*193	8235740	ATV Clamp (Tall)	244	8182005	3/8 x 20" Nylon Tube
146	8181675	Pedal, Standard	*194	8181891	ATV Clamp Kit (Tall)	245	8101428	Hose Clamp-1/4 I.D. Hose
147	8181948	Bearing-Nyliner, 1/2"	*195	8435685	Drop Center Aid	246	8000378	1/4" Brass St. Fitting
148	8181911	Spacer-Pedal	*196	8435203	Plastic Clamp Jaw	247	8101428	Hose Clamp-1/4 I.D. Hose
149	8181948	Bearing-Nyliner, 1/2"	197	8109784	Manifold/Gauge Protector	248	8000376	1/4 x 90° Brass Fitting
150	8182221	Hose Clamp, 6"	198	8108968	Air Gauge	250	8181999	Male Elbow 1/4 NPT x 3/8 Tube
151	8181675	Pedal, Standard	*199	8182640	California Gauge Kit	251	8181191	Valve, Quick Exhaust
152	8181948	Bearing-Nyliner, 1/2"	201	8181998	Male Elbow 1/4 NPT x 3/8 Tube	252	8000580	Nipple - Close, 1/4 NPT
154	8182327	Spacer-Pedal	202	8182836	Nylon Tube 3/8 OD x 15.5" Lg	253	8181207	3/8" NPT Close Nipple
155	8181948	Bearing-Nyliner, 1/2"	203	8182894	Tube Protector	254	8181195	1/2" x 3/8" Reducing Elbow
157	8181675	Pedal, Standard	206	8181988	Male Brch. Tee 1/4 NPT x 3/8 Tube	255	8181206	Muffler-1/2" NPT
158	8120321	1/4 x 1-1/4 Hex HD Cap Screw Gr5	209	8101428	Hose Clamp-1/4 I.D. Hose	257	8181999	Male Elbow 1/4 NPT x 3/8 Tube
160	8181948	Bearing-Nyliner, 1/2"	210	8110497	Fitting-90 Deg. Male Elbow	258	8182638	7" Bead Loosener Cylinder Seal Kit
161	8181707	Torsion Spring	211	8104844	Fitting, Barbed 1/4"	259	8183327	7" Bead Loosener Cyl. Bot. Cap
162	8181872	Sleeve-Torsion Spring	212	8101428	Hose Clamp-1/4 I.D. Hose	260	8182016	3/4"-10 Gr.5 Nylon Insert Lock Nut
163	8181918	Bar-Valve Brkt. Spacer	213	8104684	1/4 x 8" Hose	261	8182566	Bead Loosener Cyl. Steel Washer
164	8182670	Spring Stop Bracket	214	8000378	1/4" Brass St. Fitting	262	8182566	Bead Loosener Cyl. Steel Washer
165	8181369	Nut - Lock, Nyl. Ins., 1/4-20, Gr.5	215	8101428	Hose Clamp-1/4 I.D. Hose	263	8182565	Bead Loosener Cylinder Shaft
166	8182586	Foot Pedal Guard (Red)	216	8181349	Rotary Coupling	264	8182568	Bead Loosener Cylr Sleeve Barrel
167	8102459	3/8" Self Tap Screw Gr.5	217	8182250	Adj. Clamp Plunger/Spring Assem.	265	8110890	1/2-13 x 9" Long HHCS Gr5
168	8106301	1/4" H.H. Self Tap Scr., Gr.5	218	8109769	Decal, Release Valve	266	8182600	Ø3/4" X 27" Hose (Black)
169	8182723	#3 Woodruff Key	219	8104844	Fitting, Barbed 1/4"	267	8102048	Hose, 1/4 x 15"
170	8182457	Washer, 3/4"	220	8101428	Hose Clamp-1/4 I.D. Hose	268	8182742	3/4" x 9-1/2" Hose (Black)
171	8182016	3/4"-10 Gr.5 Nylon Insert Lock Nut	221	8106289	Ø1/4" x 22" Hose	269	8182497	Hose 3/8" x 36" Lg.
172	8182788	Mount Demount Head Assembly	222	8106289	Ø1/4" x 22" Hose	270	8101428	Hose Clamp-1/4 I.D. Hose

Ref	Part #	Description	Ref	Part #	Description	Ref	Part #	Description
272	8101428	Hose Clamp-1/4 I.D. Hose	317	8182464	Strainer Screen	368	8184562	Motor Cable Assembly, 115V 60Hz
273	8101898	3/8" Hose Fitting	318	8104573	Fitting, Straight-3/4"	8181511		Motor Cable Assembly, 220V 50Hz
274	8182020	St. Fitting, 3/4" NPT x 1/4" NPT	319	8101346	3/4" Hose Clamp	369	8143254	Wire Joint
275	8101346	3/4" Hose Clamp	320	8183811	Seal Kit, T.T. Cylinder	370	8182141	Cord-Entrance to Switch
276	8104652	Poppet, 3/4" Valve	321	8181622	Cap-Cylinder Bottom	371	8181989	10-24 x 3/8 Soc Head Cap Scr, Gr.8
277	8104651	Spring, 3/4" Valve	322	8182719	1/2-13 Locking Jam Nut, Gr.5	372	8183031	Bracket-Valve Mounting
278	8106350	End Cap, 3/4" Valve	323	8181183	5/16-18 Nylon Insert Lock Nut Gr5	373	8181699	Lever Assembly - Switch
279	8182071	Fitting, Special Male Branch Tee	324	8181629	Shaft-Tabletop Cyl.	374	8182743	Shoulder Screw - 5/16
280	8101428	Hose Clamp-1/4 I.D. Hose	325	8181627	Sleeve-Cylinder	375	8181369	Nut - Lock, Nyl. Ins., 1/4-20, Gr.5
281	8107924	3/4 Nylon Elbow	326	8181620	Cap-Cylinder Top	376	8182363	Spacer - Sw Pedal Lever-Red
282	8101998	Male Elbow 1/4 NPT x 3/8 Tube	327	8181633	Tie Bolt-Tabletop Cylinder	377	8190134	1/4-20 x 3/4 Hex Hd Cap Scr Gr.5
283	8000378	1/4" Brass St. Fitting	328	8103649	Ø1/4 x 12" Hose	378	8560723	Cover-Switch
284	8101428	Hose Clamp-1/4 I.D. Hose	329	8182037	Nylon Tube 1/4 OD x 10" Lg.	379	8150124	4" Cable Tie
285	8104649	Poppet, 1/4" Valve	331	8183328	7" Bead Loosener Cylr Top Cap	380	8182958	Switch-Reversing, Kit
286	8102468	Poppet Spring, 1/4" Valve	332	8101346	3/4" Hose Clamp	381	85606977	SHCS Screw, M5x8
287	8105671	End Cap, 1/4" Valve	333	8101346	3/4" Hose Clamp	382	85606973	Lever - Switch Actuator
288	8182005	Nylon Tube 3/8" x 20" Lg.	334	8182734	Muffler	383	8000745	Washer - Flat, Ø1/4"
289	8111255	Spl Tee-1/4 NPT x 3/8 x 1/4 Tube	335	8183770	Filter/Lube Bracket	384	8113944	HHMS, M4-0.7x10
290	8109466	Valve-Piloted	336	8106301	1/4" H.H. Self Tap Scr., Gr.5	385	8114010	Flat Washer M4
291	8110325	1/4" NPT Male Run Tee	343	8182770	Bootie-Duckhead® (Single)	387	8181956	Pwr Cable Assy, 115V w/o breaker
292	8101428	Hose Clamp-1/4 I.D. Hose	8182961		Bootie-Duckhead(Pkg of 2)	8182257		Pwr Cable Assy, 115V w/ breaker
293	8101428	Hose Clamp-1/4 I.D. Hose	8182963		Bootie-Mount/Demount Head (Pkg of 12)	8182712		Pwr Cable Assy (220V, 50Hz, 1 Ph)
294	8103649	Ø1/4 x 12" Hose	8182768		Caution Decal-B.L.	8106301		1/4" H.H. Self Tap Scr., Gr.5
295	8110496	Volumn Chamber	8181962		Filter/Lubricator	8150441		1/4" Star Lock Washer
296	8109471	1/8" Brass Hex Nipple	8183274		Cover	8301142		Washer, 1/4" Spring Lock
297	8109468	Pressure Repeater	8120408		1/4-20 x 1-3/4 H.H. Cap Scr., Gr.5	8107440		1/4-20 Hex Nut Gr.5
298	8110497	Fitting-90 Deg. Male Elbow	8143169		1/4-20 Whiz Lock Nut, Gr.5	8181129		Cable Connector Bracket
299	8101428	Hose Clamp-1/4 I.D. Hose	8000378		1/4" Brass St. Fitting	906077		Strain Relief, 240V
300	8109472	1/8" Inline Filter	8182912		Air Motor Repair Kit	8120325		Screw-Ser.Wshr.Hd.,5/16-18 x 1"
301	8111083	Regulator	8182809		Lube Bottle Brkt-Red	8114010		Nut-Whiz Lock, 5/16-18 Gr5
302	8182035	Male St Fit. 1/8 NPT x 1/4 Tube	8182878		Panel/Side Cover	8181183		Nut-Nyl. Ins.Lk, 5/16-18 Gr5
303	8101428	Hose Clamp-1/4 I.D. Hose	8182923		Motor Adjustment Bracket	8120455		10-24 Self Tap Screw, Gr.2
304	8000481	Hose 1/4" x 6"	8143044		Tinnerman Sq. Captive Nut 3/8-16	8182037		Nylon Tube 1/4 OD x 10" Lg.
305	8183778	Decal - Lubrication Notice	8106302		3/8" Whiz Lock Screw, Gr.5	8181587		Circuit Breaker, USA, Can., 15amp
306	8181204	Pulley 5/8" Shaft	8104564		Ø3/4" Hose Ring Clip	8184963		Circuit Breaker, Export, 8amp
308	8183502	Manifold Bleed Valve Assembly	8106301		1/4" H.H. Self Tap Scr., Gr.5	8140963		Decal - CSA Caution
309	8000378	1/4" Brass St. Fitting	8180558		Key-Motor Pulley	8182960		Mount/Demount Head (PLASTIC)
310	8101428	Hose Clamp-1/4 I.D. Hose	8185483		Electric Motor - 115v 60Hz	8182250		Adj. Clamp Plunger/Spring Assy.
311	8182090	Hose 3/4" x 61" Lg.	8182783		Electric Motor - 220v 50Hz	85607575		Two-stage Valve
312	8101428	Hose Clamp-1/4 I.D. Hose	8180638		Motor Capacitor Only	** 85607797		Seal Kit (85607575 Two-stage Valve)
313	8101428	Hose Clamp-1/4 I.D. Hose	8120325		5/16-18 x 1 Ser. Wash.Hd.Scr., Gr.5			
314	8182090	Hose 3/4" x 61" Lg.	8180560		Ground Cable			
315	8105822	Hose Clamp-9/16 I.D. Hose						
316	8410419	Air Chuck						

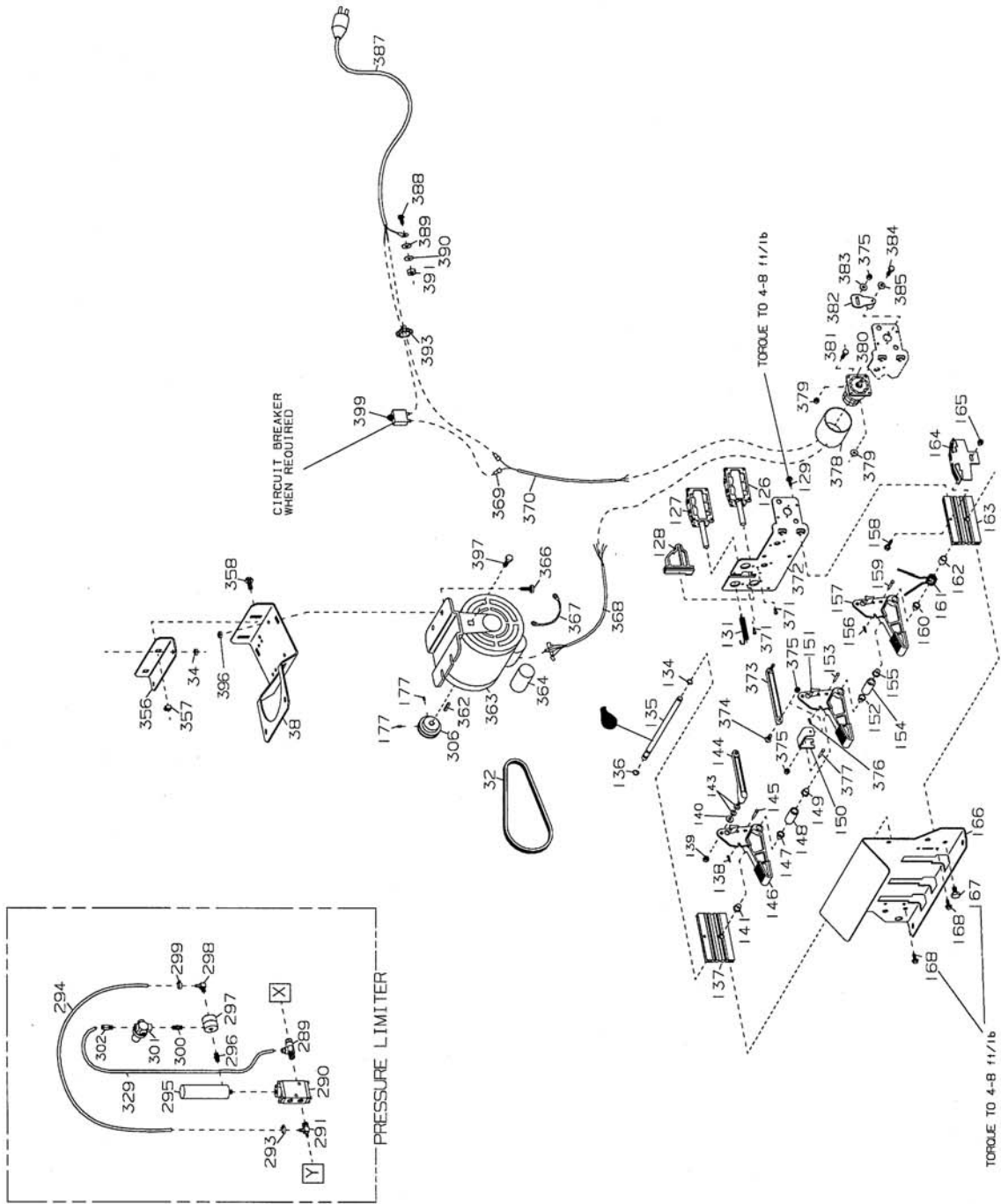
*Indicates Accessory Item

**Not Shown





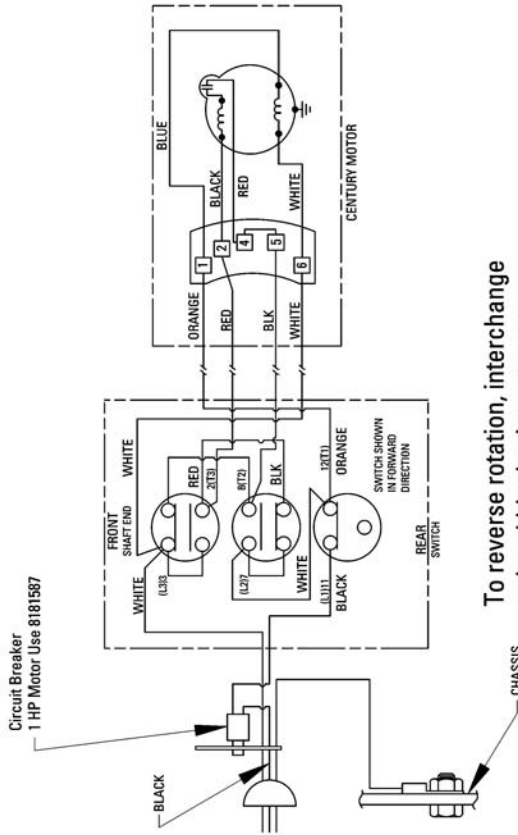
5N1B2501C



ELECTRIC MOTOR MODELS

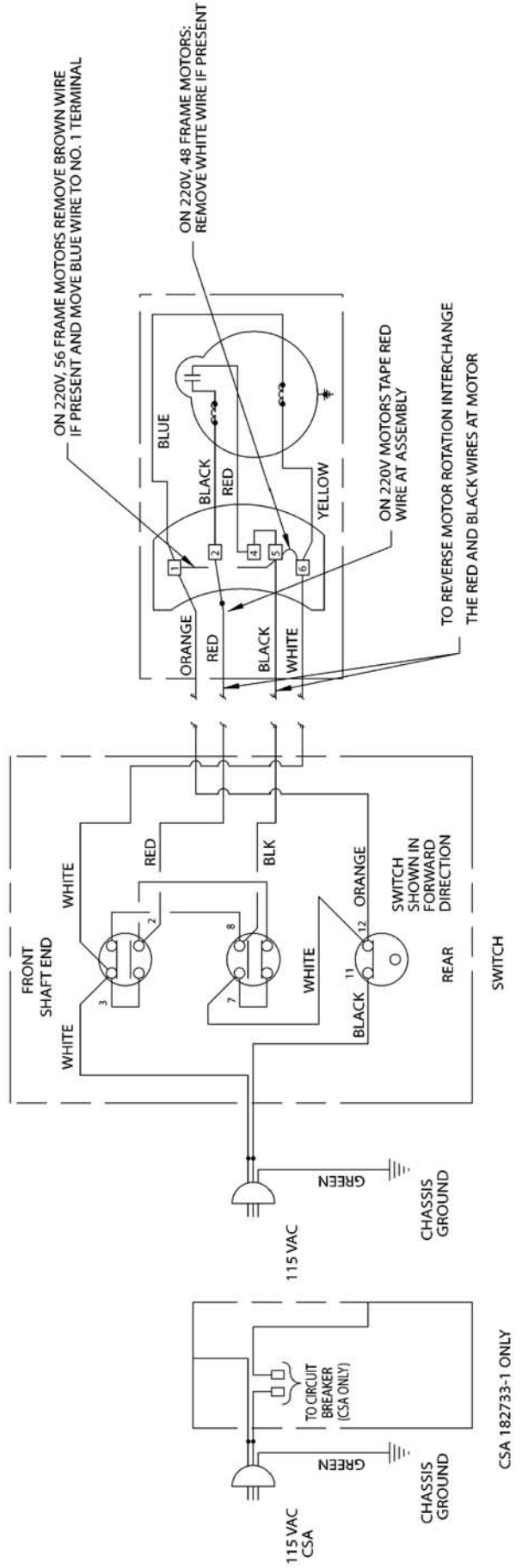
Wiring Diagram

Domestic

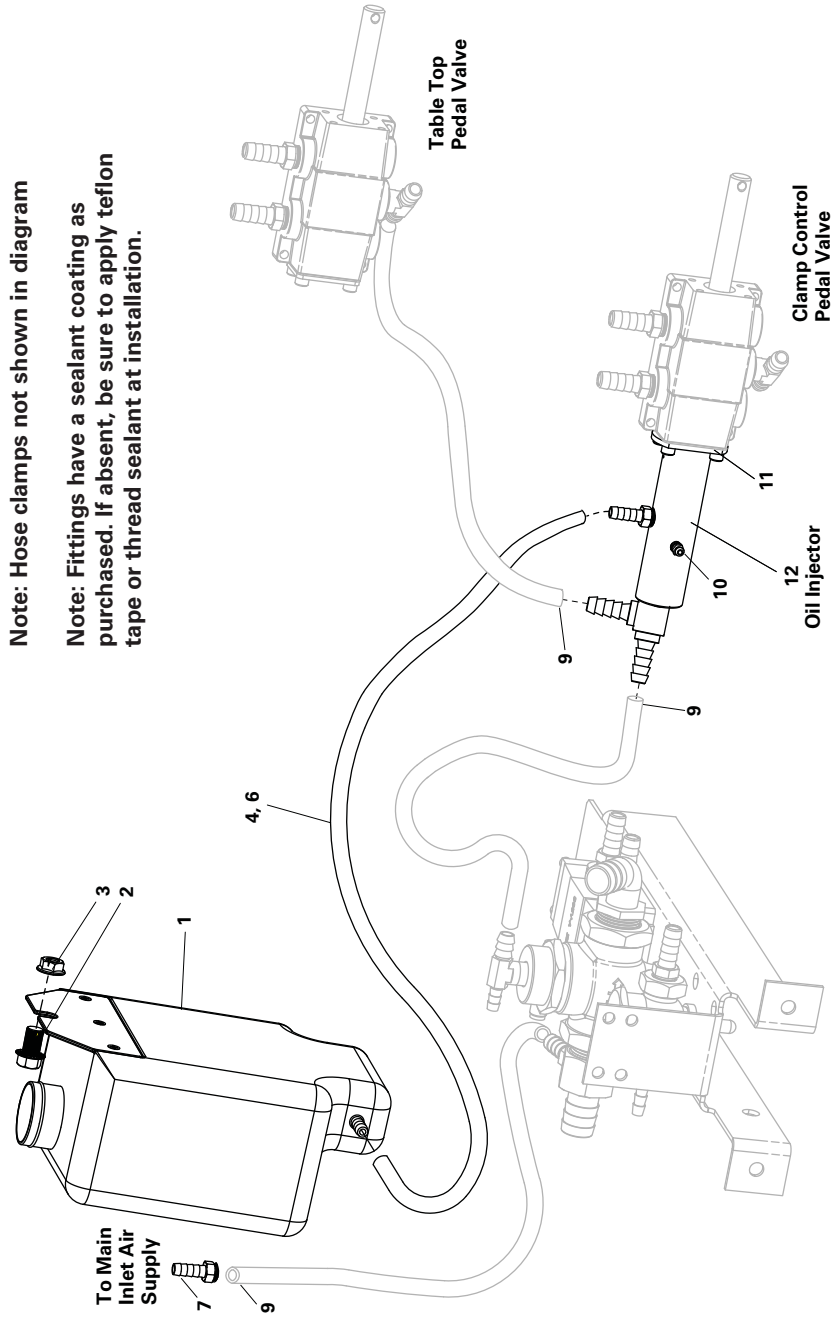


To reverse rotation, interchange red and black wires at motor.

Export



OIL INJECTOR DIAGRAM *If equipped.



Note: Hose clamps not shown in diagram

Note: Fittings have a sealant coating as purchased. If absent, be sure to apply teflon tape or thread sealant at installation.

Inflation Bracket

Ref No.	Description
1	8185629 Tank Reservoir
	81856301 Reservoir Cap
2	8183452 5/16-18 Flange Screw
3	924724 5/16-18 Flange Hex Nut
4	8184243 1/4" x 49" Red Rubber Hose
5	8183770 Holding Bracket
6	85606362 3mm Spring Hose Clamp
7	8101898 St. 1/4" NPT 3/8" Hose Fitting
8	8150124 Zip Tie
9	85606363 16mm Spring Hose Clamp
10	8103737 Release Valve
11	8184686 Spacer Plug
12	8184675 Oil Injector (includes Spacer Plug)

