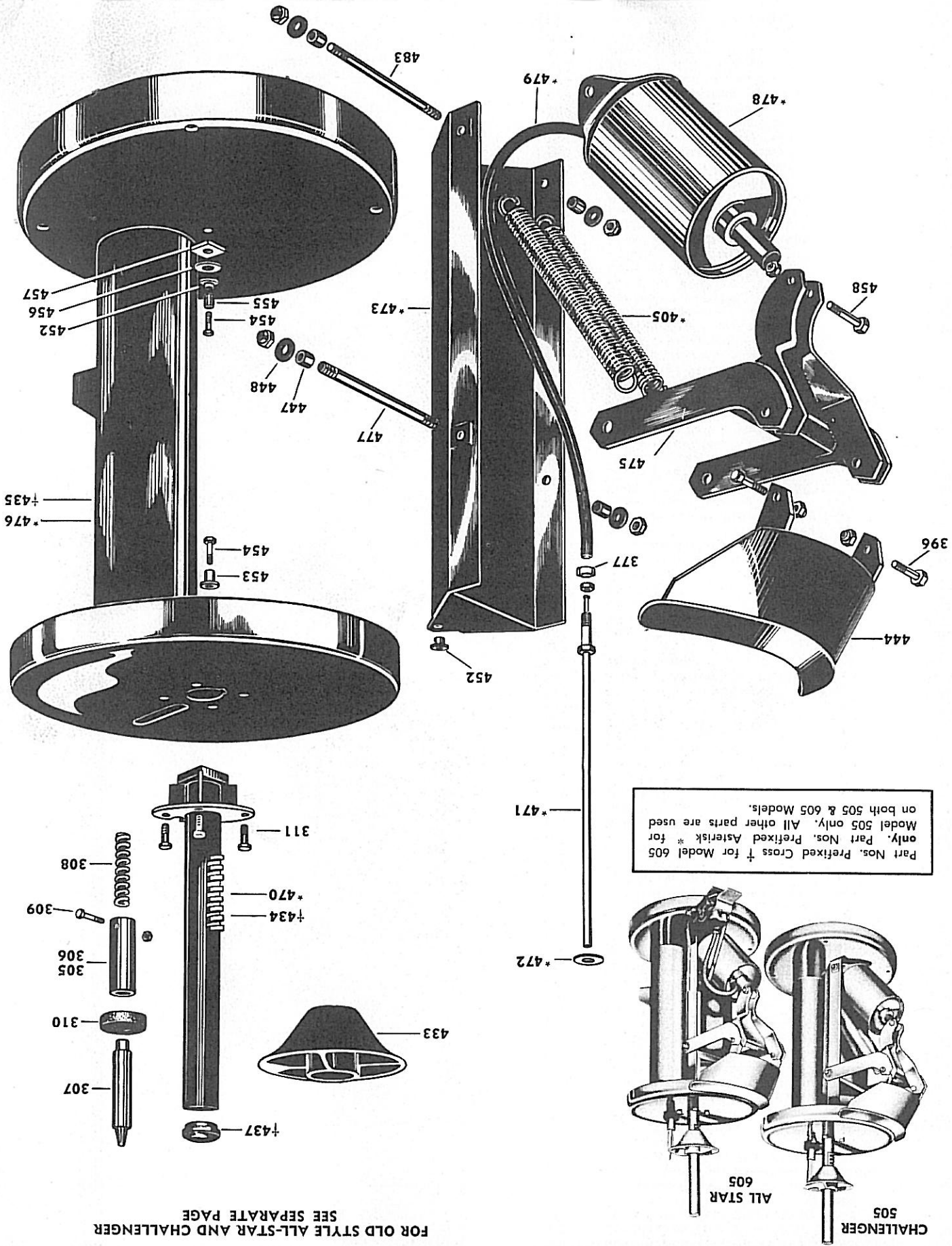


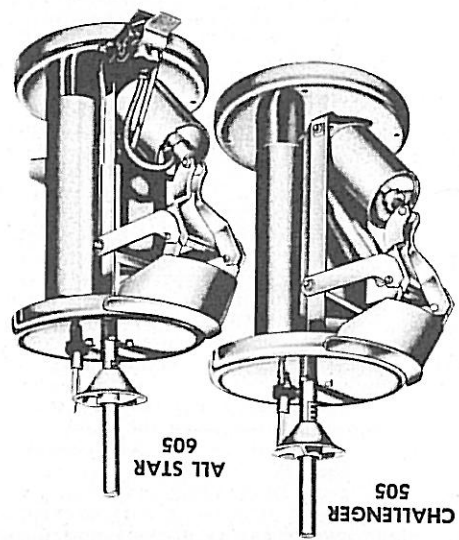
SUPER CHALLENGER 505 & SUPER ALL-STAR 605

COATS

FOR OLD STYLE ALL-STAR AND CHALLENGER SEE SEPARATE PAGE



Part Nos. Prefixed Cross † for Model 605 only. Part Nos. Prefixed Asterisk * for Model 505 only. All other parts are used on both 505 & 605 Models.



\$ 4.05	Positioning Pin Holder
8.60	Positioning Pin (Complete)
3.90	Positioning Pin Only
.75	Positioning Pin Spring
.60	Positioning Pin Bolt & Nut
1.00	Positioning Pin Bumper
.45	Center Column Bolts (4)
1.55	Combination Tool Under Bead Roller
1.00	Combination Tool Under Bead Roller Shaft
1.00	Combination Tool Under Bead Roller Spring
1.20	Combination Tool Dismounting Bead Roller
.65	Roller Screw
1.95	Combination Tool Mounting Bead Roller
.75	Roller Screw
17.10	Upper Bead Loosener (Complete)
6.95	Upper Bead Loosener Arm
5.10	Upper Bead Loosener Handle
8.45	Upper Bead Loosener Shoe
8.45	Upper Bead Loosener Bolt & Nuts (2)
8.00	Tractor Rim Adapter
4.20	Ford Rim Adapter
11.00	Tool Rack (Complete)
6.00	Tool Rack Base
5.00	Tool Rack Upright
13.00	Spreader (Complete)
2.50	Spreader Handle
10.50	Spreader Base
.75	Piston Nut
7.80	Piston to Rod Seal
.65	Piston O Ring
1.05	Piston Spring
19.50	Valve Body
2.35	Poppet & "O" Ring
.20	Poppet Return Spring
.15	Gasket
1.45	End Plug
.65	Street Ell
.75	Treadle Pin
.45	Valve Fastening Nut & Bolt (2)
1.30	Air Hose Elbow Fitting
.45	Air Hose Clamp
1.00	Air Hose Straight Fitting
1.00	Lower Shoe Bolt & Nut (2)
.45	Foreign Car Adapter (Deep Hub)
7.50	Exhaust Muffler (Complete)
6.85	Return Spring
3.90	Finger Pin
.45	Finger
10.40	Wheel Clamping Cone
18.85	Center Column
97.50	Chassis
.65	Cap-Tube
14.30	Lower Bead Loosening Shoe
.80	Hardened Linkage Bushing
.20	Washer
1.30	Cylinder Mount Pivot Bearing
1.80	Upper Pivot Bushing
.65	Pivot Bolt (Lower Only on 505)
.90	Lower Pivot Bushing
.55	Snubbing Ring
.80	Lower Pivot Plate
.80	Piston Rod Bolt & Nut
14.30	Cylinder Cap (Complete)
19.50	Piston Rod
.80	Cup O Ring Seal
1.95	Piston Rod Bearing (2)
2.60	Cap Retainer Rings (2)
32.50	Filter & Lubricator Kit
18.00	Combination Tool Complete
18.85	Center Column
3.90	Air Inlet Pivot Bolt
1.30	Air Inlet Washer
35.10	Cylinder & Linkage Mount
39.00	Cylinder & Linkage Mount
45.50	Lower Bead Loosener Linkage
94.90	Chassis
1.95	Linkage Mounting Tie Rod & 2 Nuts
71.50	Cylinder Assembly Complete
45.50	Rebuild Cylinder Exchange
78.00	Cylinder Assembly Complete
45.50	Rebuild Cylinder Exchange
1.30	Bottom Cylinder Air Hose
1.30	Top Cylinder Air Hose
1.95	Cylinder Mounting Tie Rod & 2 Nuts
11.70	Cylinder Cap (Complete)
1.80	Piston Rod Bearing
5.50	Pontiac Bonneville Rim Adapter
39.00	Cylinder Barrel
37.05	Foot Operated Air Valve
13.20	Treadle

