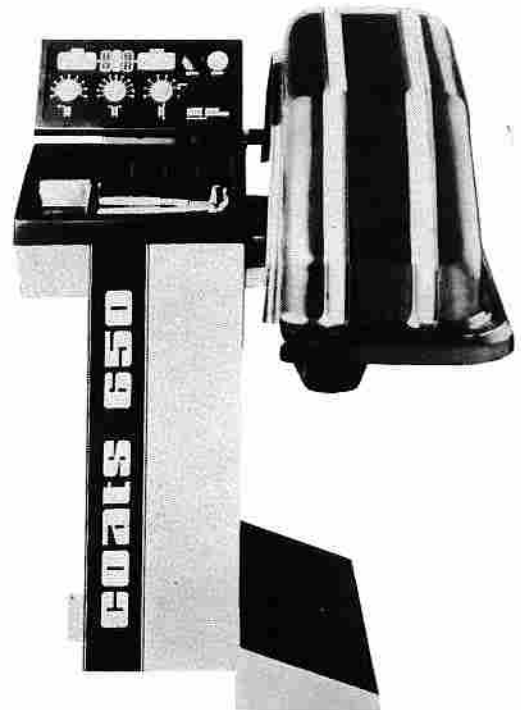
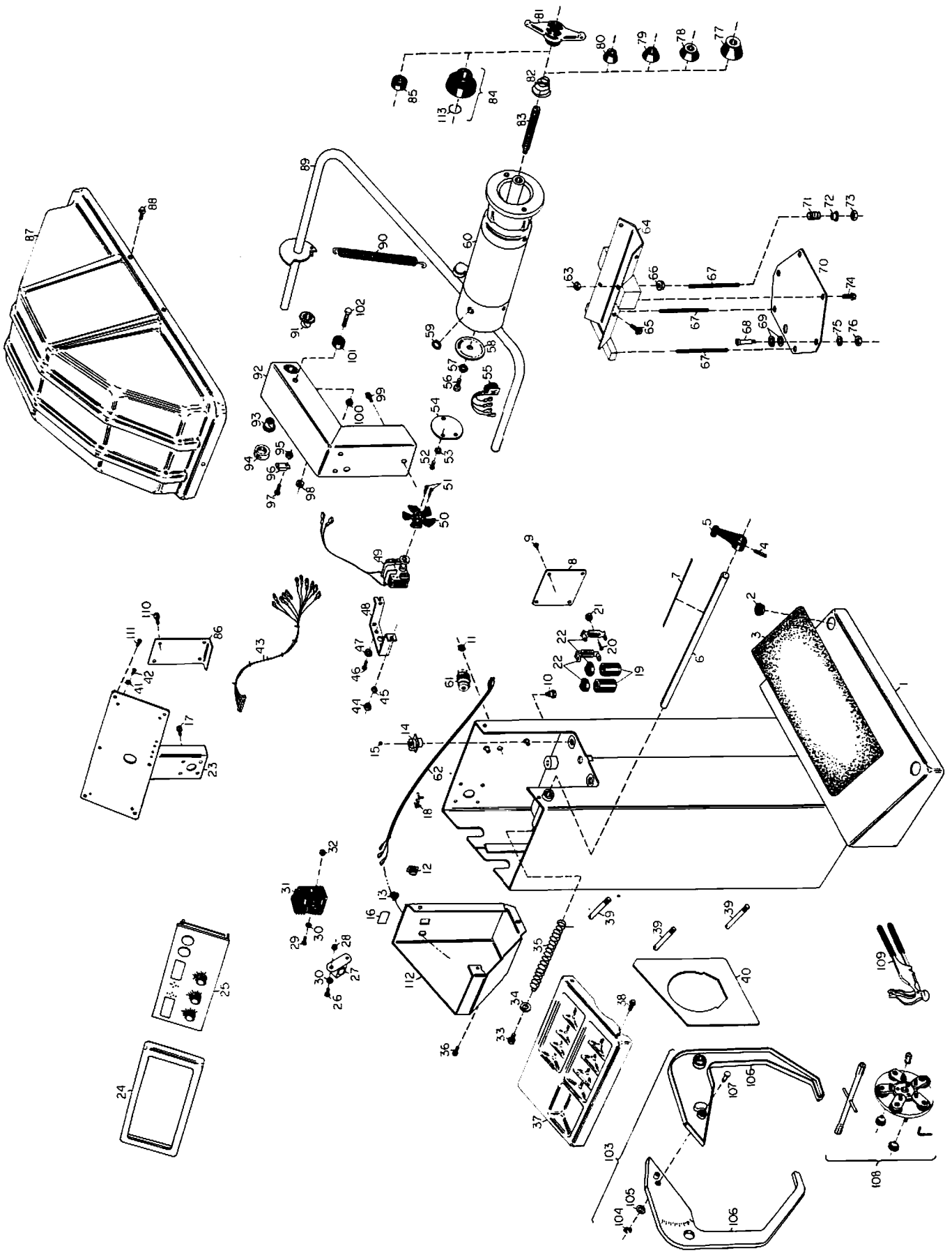


COATS[®]

— PARTS LIST —



650
PASSENGER CAR
COMPUTER
WHEEL BALANCER



PARTS SHOWN MAY BE OPTIONAL FOR SOME MODELS

REF. NO.	PART NUMBER	DESCRIPTION	REF. NO.	PART NUMBER	DESCRIPTION	REF. NO.	PART NUMBER	DESCRIPTION
1	309821	Chassis W/C	38	106301	1/4 X3/4 WHHS Self-tap	75	301032	3/8 Flat Washer
2	301810	Plastic Plug	39	308026	Accessory Peg	76	301035	3/8 Nyloc Nut
3	308867	Pad, Anti Skid	40	308834	Motor Gasket	77	308098	Large Cone
4	100602	Roll Pin	41	301072	#6 Internal Lock Washer	78	308097	Medium Cone
5	308073	Arm, Distance Gauge	42	301063	#6 X1/2 PHMS	79	308096	Small Cone
6	308861	Shaft, Distance Gauge	43	309812	Signal Harness	80	308069	Miniature Cone
7	314804	Scale, Distance Gauge	44	301804	#10-24 Hex Nut	81	309091	Hub Nut
8	308860	Cover, Hand Aperature	45	301805	#10 Flat Washer	82	308820	Back Cone Spring
9	301807	Canoe Clip	46	301100	#10 X1/2 PHMS	83	308171	Threaded Stud
10	301016	3/8 X3/8 Shoulder Bolt	47	301103	#10 Internal Lock Washer	84	309050	Small Hub Assembly
11	307019	Rubber Grommet	48	308854	Fan Bracket	85	308105	No Mar Ring
12	305802	On/Off Switch	49	309078	Fan Motor Sub Assembly	86	308832	Pod Support Cover
13	307805	Strain Relief	50	307802	Fan Blade	87	308818	Hood
14	309006	Piezo Assembly	51	143223	#4 Screws	88	106301	1/4 X3/4 WHHS Self-tap
15	301017	1/2 Diameter Piezo Ball	52	301063	#6 X1/2 PHMS	89	309818	Hood Bar W/C
16	143812	Caution Decal	53	301072	#6 Internal Lock Washer	90	308062	Hood Spring
17	106301	1/4" WHMS	54	308859	Optical Encoder Cover	91	307014	Hood Bearing
18	309049	Sensistor Assembly	55	309809	Optical Encoder Assembly	92	309822	Hood Bracket W/C
19	303199	Capacitor - (110 V)	56	301016	3/8 X3/8 Shoulder Bolt	93	307014	Hood Bearing
20	301094	Capacitor - (220 V)	57	301032	3/8 Flat Washer	94	309014	Stop Ring Assembly
21	301084	#8 X3/4 Flat Head M.S.	58	308817	Rotary Shutter	95	301066	#6 Kep Nut
22	190131	#8 Kep Nut	59	143847	3/4" Plug	96	305050	Magnetic Switch
23	309817	Capacitor Cap & Bracket	60	309803	110V 1 Ph Motor	97	301063	#6 X1/2 PHMS
24	309816	Back Pod	61	143865	200V - 220V 1 Ph Motor	98	307019	Grommet
25	309813	Bezel	62	305076	220V 1 Ph Power Plug	99	106302	3/8 Whiz Lock Screw
26	301082	Front Panel/PCB	63	143796	Power Cord W/110V Plug	100	301122	1/2 Nyloc Nut
27	306806	#8 X1/2 PHMS	64	143866	3/8 Hex Nut	101	309008	Hood Stop
28	301084	Transformer	65	309828	Motor Cradle	102	301120	1/2-13 X2 1/4 HH Bolt
29	301093	#8 Kep Nut	66	106302	3/8 Whiz Lock Screw	103	309011	Caliper Assembly
30	301083	#8 X3/4 PHMS	67	106303	3/8 Whiz Lock Nut	104	301153	Spring Retainer
31	305006	#8 Internal Lock Washer	68	302003	Bolt, Spring Stud	105	301032	3/8 Flat Washer
32	301084	Reversing Contactor	69	301015	1/2 X2 Shoulder Bolt	106	308103	Wheel Caliper
33	301084	#8 Kep Nut	70	301121	1/2" Flat Washer	107	308090	Caliper Pin
34	106301	1/4-20 WHMS Self-tap	71	308808	Flex Plate	108	309060	Combi Adapter Kit
35	301032	3/8 Flat Washer	72	307008	Piezo Spring	109	106357	Weight Pliers
36	308837	Dimension Arm Spring	73	308036	Lower Spring Retainer	110	106301	1/4 X3/4 WHHS Self-tap
37	106301	1/4" WHHS Self-tap	74	301035	3/8 Nyloc Nut	111	301803	Plastic Threading Screw
	308821	Weight Tray		106302	3/8 Whiz Lock Screw	112	308811	Contact Cover
						113	308102	Spring Retainer

When ordering parts always give the following information:
(1) Part Number (2) Description (3) Serial Number of Your Machine