

# **BASELINE™**

**BY COATS®**

## **Model 225 Wheel Balancer**

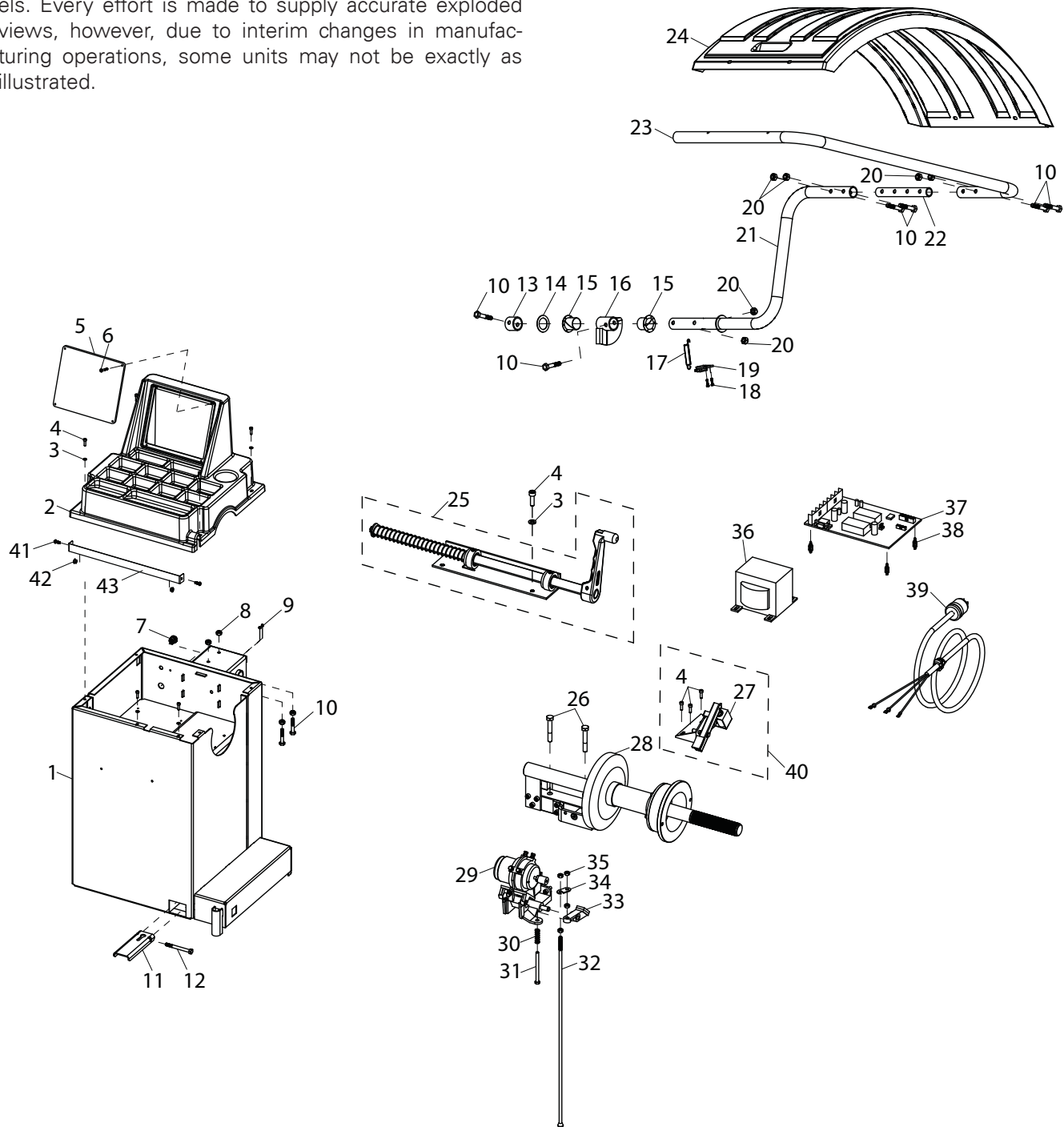


### **Parts Identification**

READ these instructions before placing unit in service. KEEP these and other materials delivered with the unit in a binder near the machine for ease of reference by supervisors and operators.

## Parts Identification

The following pages include parts breakdowns with exploded view illustrations to help with ordering replacement or spare kits. Assemblies are noted where it is recommended that individual parts not be ordered separately. Note that the parts view illustrations are for multiple models and not all parts shown are on all models. Every effort is made to supply accurate exploded views, however, due to interim changes in manufacturing operations, some units may not be exactly as illustrated.



Ref.	Part No.	Description	Ref.	Part No.	Description
	1	85607584 Chassis	<b>NS</b>	31	70580605 M8 x 100 HHCS
	2	85607473 Weight Tray		32	70580602 Tension Rod
<b>NS</b>	3	8114455 M6 Flat Washer		33	70580621 Manual Brake Arm with Pad
<b>NS</b>	4	85607153 M6 x 1.20 SHCS Screw	<b>NS</b>	34	70580607 Tension Rod Bracket
	5	70580506A Control Board	<b>NS</b>	35	70580606 M8 Hex Nut
		70580506B Control Board		36	70580512 Transformer
	6	70580505A Touch Panel Assembly		37	70580515 Power Board
		70580505B Touch Panel Assembly		38	85607679 M8-0.7 x 3/8 Standoff
<b>NS</b>	7	906058 Strain Relief, 120V		39	85607823 Power Cord Assembly
<b>NS</b>	8	85607257 M10 x 1.5 Hex Jam Nut		40	70580812 Automatic Brake Arm with Pad
<b>NS</b>	9	85607710 M4-0.7 Nylock Hex Nut		41	8183151 5/16-18 x 0.75 SBHCS Screw, Gr. 8
<b>NS</b>	10	8182040 M10-1.5 x 55 HHCS Screw, Gr 8.8		42	8182178 5/16-18 Whiz Lock Hex Nut
	11	85607446 Brake Pedal Bracket		43	85609390 Tray Support Brace
<b>NS</b>	12	85607493 M10-1.5 x 100 HHCS Screw, Gr 8.8			
	13	85607697 Hood Bar Spacer			
	14	8101651 1-7/8 x 1-1/4 x 18GA Bushing	<u>Not Shown</u>	*	70580517 Power Cable
	15	8101351 1-1/4 x 1-1/4 Nylon Flanged Bearing		*	70580518 Encoder Cable
	16	85607490 Cam Weldment		*	70580519 Sensor Cable
<b>NS</b>	17	8181708 Pedal Extension Spring		*	70580521 Ribbon Control Cable
<b>NS</b>	18	8114012 M4 x 18 HHCS Screw		*	70580514 Solenoid
	19	70580409 Hood Bar Switch		*	70580138 Encoder Wheel Assembly
<b>NS</b>	20	85607257 M10 x 1.5 Hex Jam Nut		*	70580102 Plastic Shutter Wheel For Encoder
	21	85607695 "S" Hood Tube			
	22	85607599 Tube Insert			
	23	85607598 "C" Hood Tube			
	24	85607492 BaseLine Hood			
	25	85607674 A & D Arm Assembly			
<b>NS</b>	26	85606984 M12-1.75 x 75MM HHCS Screw			
	27	70580800 Automatic Brake Assembly			
	28	70580100 Spindle Assembly			
	29	70580200 Motor Assembly			
<b>NS</b>	30	70580609 Spring			

**NA**    **Not Available**  
**NS**    **Non-stocking**  
\*        **Not Shown**

