



800 ON-THE-VEHICLE BRAKE LATHE



Parts Identification

READ these instructions before placing unit in service. KEEP these and other materials delivered with the unit in a binder near the machine for ease of reference by supervisors and operators.

HENNESSY INDUSTRIES, INC.

1601 J. P. Hennessy Drive, LaVergne, TN USA 37086-3565 615/641-7533 800/688-6359

HENNESSY INDUSTRIES INC. Manufacturer of AMMCO®, COATS® and BADA® Automotive Service Equipment and Tools.

Manual Part No.: 940787 00

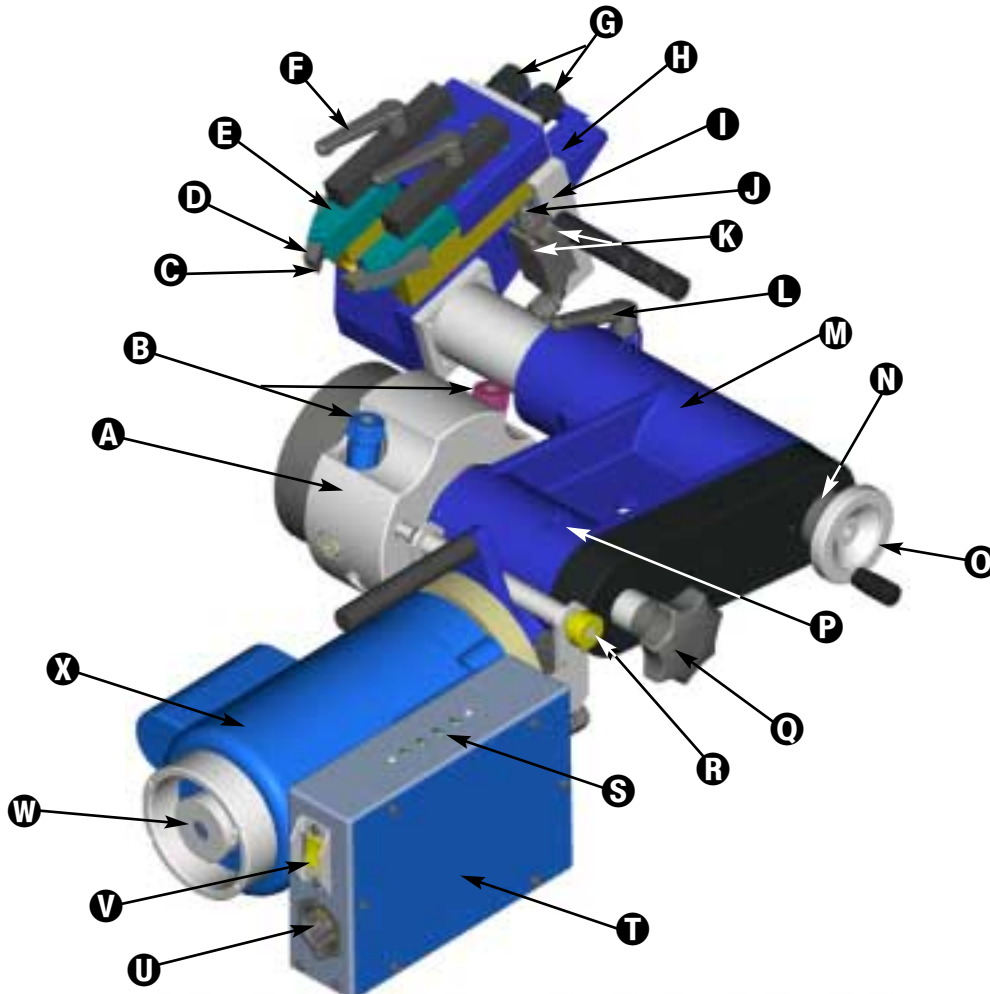
Revision: 09/01

AMMCO 800

Principal Components

800 On-The-Vehicle Brake Lathe

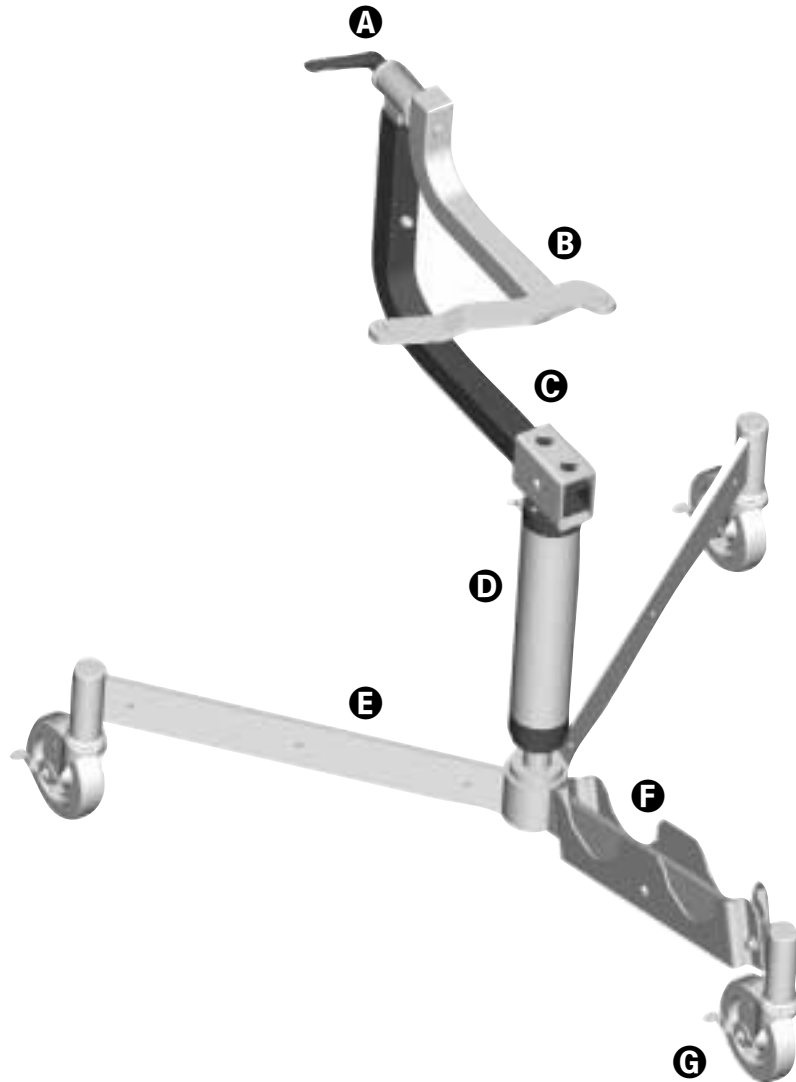
- A** Runout Adjustment Head
- B** Adjustment Knobs (red and blue)
- C** Carbide Inserts
- D** Insert Holders
- E** Tool Holders
- F** Tool Holder Locking Levers
- G** Insert Adjustment Knobs
- H** Cutting Head Assembly
- I** Dial Indicator Target
- J** Overtravel Switch
- K** Gib Adjustment Screws
- L** Head Centering Lock Lever
- M** Lathe Body
- N** Feed Engagement Knob (gray)
- O** Feed Handwheel
- P** Transmission Oil Filler Plug
- Q** Drawbar Star Knob (black)
- R** Lock Pin (yellow)
- S** Status Lights
- T** Control Box
- U** Twist-lock Receptacle
- V** Power Switch (On/Off)
- W** Motor Handwheel
- X** Lathe Motor



AMMCO 800

Portable Stand System

- A** Pivot-locking Lever
- B** Cradle Arm (Pitch/Yaw)
- C** Pivot Arm
- D** Counter Balance Cylinder
- E** Three Leg Trolley
- F** Hub Adapter Set Holder
- G** 5-inch Locking Caster Wheels



Parts Identification

The following pages include parts breakdowns with exploded view illustrations to help with ordering replacement or spare kits. Assemblies are noted where it is recommended that individual parts not be ordered separately. These parts are available only as assemblies because some parts are staked, pinned, or press fitted, then drilled, machined, or bored. Close tolerances must be maintained in assembly. Every effort is made to supply accurate exploded views, however, due to interim changes in manufacturing operations, some units may not be exactly as illustrated.

AMMCO 800

Item Qty. Part Description

P/N 940700 Runout Adjustment Head

1 1 Runout Adjustment Head

P/N 941029 Head Shaft Lock Kit

2 1 Retaining Ring

3 1 Shaft

14 1 Knob

15 1 Set Screw

P/N 941030 Head Lock Bracket Kit

4 2 Bracket

5 4 Screws

26 1 Tube

P/N 941025 Motor Assembly

6 1 Motor

2 Decal

P/N 941026 Motor Guard Kit

7 1 Guard

8 4 Screw

P/N 941037 Motor Knob Kit

9 1 Knob

10 1 Set Screw

P/N 941024 Coupling Kit

12 1 Coupling - 5/8" I.D.

16 1 Spider

17 1 Coupling - 14mm I.D.

P/N 941027 Motor Adapter Kit

13 1 Adapter

25 4 Screw

P/N 941028 Draw Bar & Knob Assembly

18 1 O-Ring

19 4 Belleville Washers

20 2 Thrust Washers

21 1 Draw Bar Assembly

22 1 Roll Pin

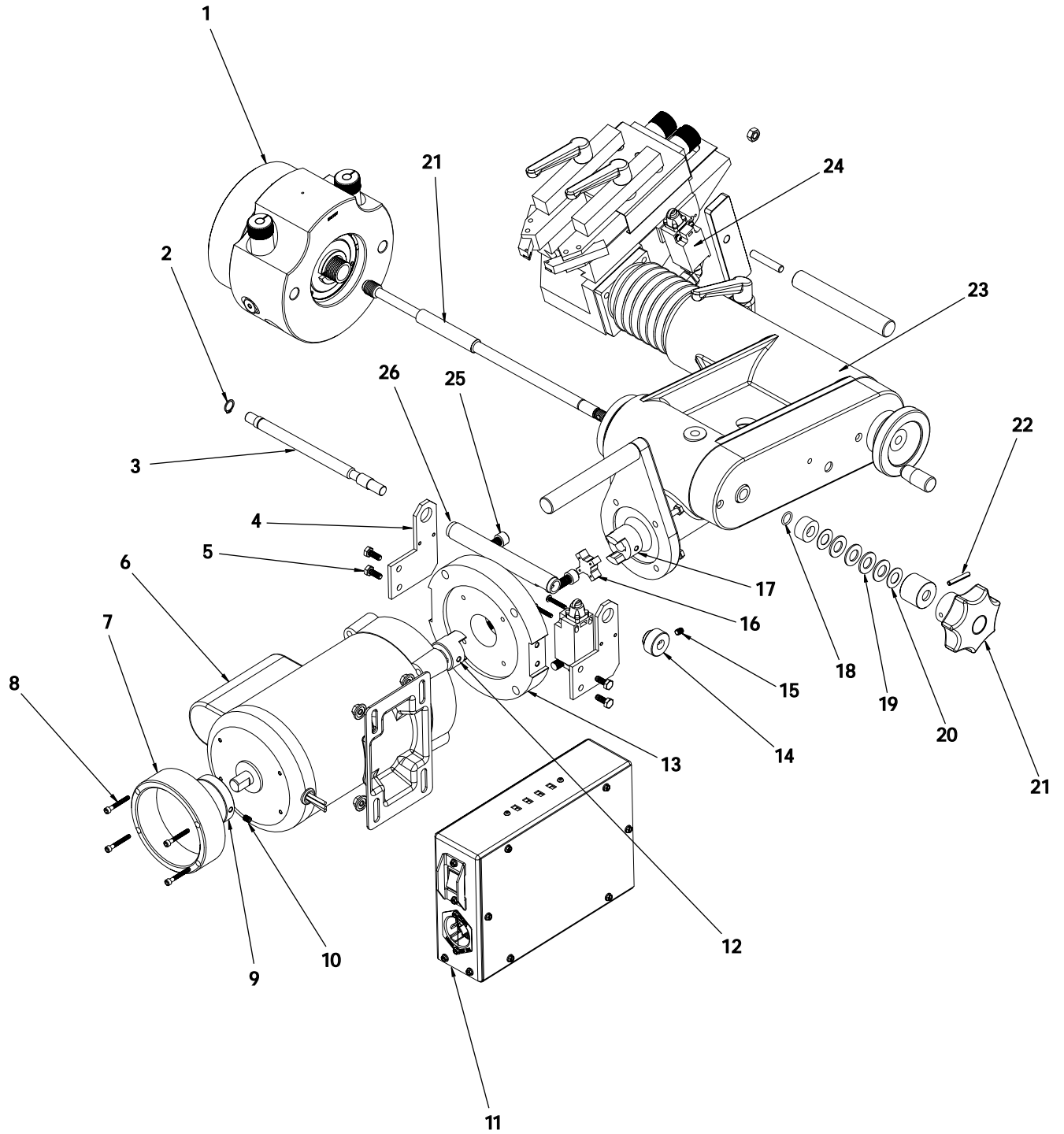
P/N 940659 Basic Lathe Body Assembly

23 1 Basic Lathe Body Assembly

P/N 940821 Limit Switch

24 1 Limit Switch

AMMCO 800



AMMCO 800

Item Qty. Part Description

P/N 940764 Control Box Assembly

1 1 Control Box Assembly

P/N 941033 Front & Rear Control Box Cover Kit

2 1 Rear Panel
3 4 Screw
4 4 Standoff
13 4 Standoff
15 12 Screw
16 1 Front Panel

P/N 940798 Spacer - Control Box

5 1 Spacer - Control Box

P/N 941031 Metal Box & Decals Kit

6 1 Wrapper - Control Box
1 Decal Top
1 Decal Bottom

P/N 941031 Switch - On/Off & Guard

7 1 Switch
8 1 Switch Guard

P/N 941032 Inlet Connector & Power Cord Kit

9 1 Inlet Connector
1 Power Cord Assembly

P/N 941035 Control Box Wiring Harness Kit

10 1 Wire Assembly
11 1 Wire Assembly
12 1 Wire Assembly
23 1 Power Harness PCB

P/N 940645 LED Board

18 1 LED Board

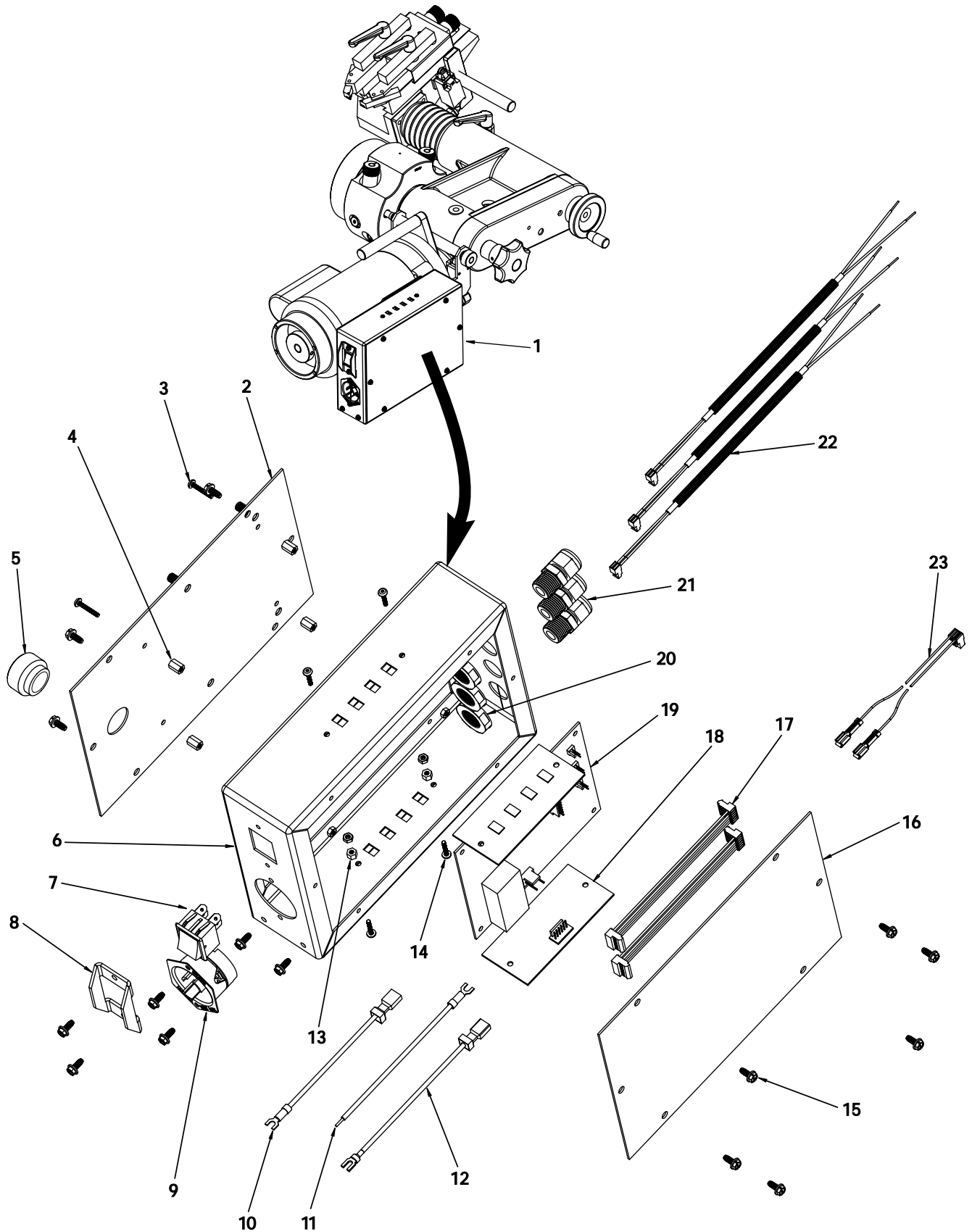
P/N 940580 Main Control Board

19 1 Main Control Board

P/N 941034 Wire Harness & Lock Fitting Kit

20 1 Nylon Lock Nut
21 1 Liquid Tight Fitting
22 1 Wire Harness

AMMCO 800



AMMCO 800

Item Qty. Part Description

P/N 941005 Chain Cover Kit

1	1	Cover
2	2	Screw

P/N 941007 Ram Kit

3	2	Socket Head Screw
6	1	Spacing Block
8	1	Ram Assembly
9	1	Cap
10	1	Lube Nipple

P/N 941006 Sprocket & Chain Kit

11	2	Socket Head Screw
12	1	Connecting Link
13	1	Circlip
14	1	Roller Chain
15	1	Chain Sprocket
21	1	Chain Sprocket
22	1	Set Screw

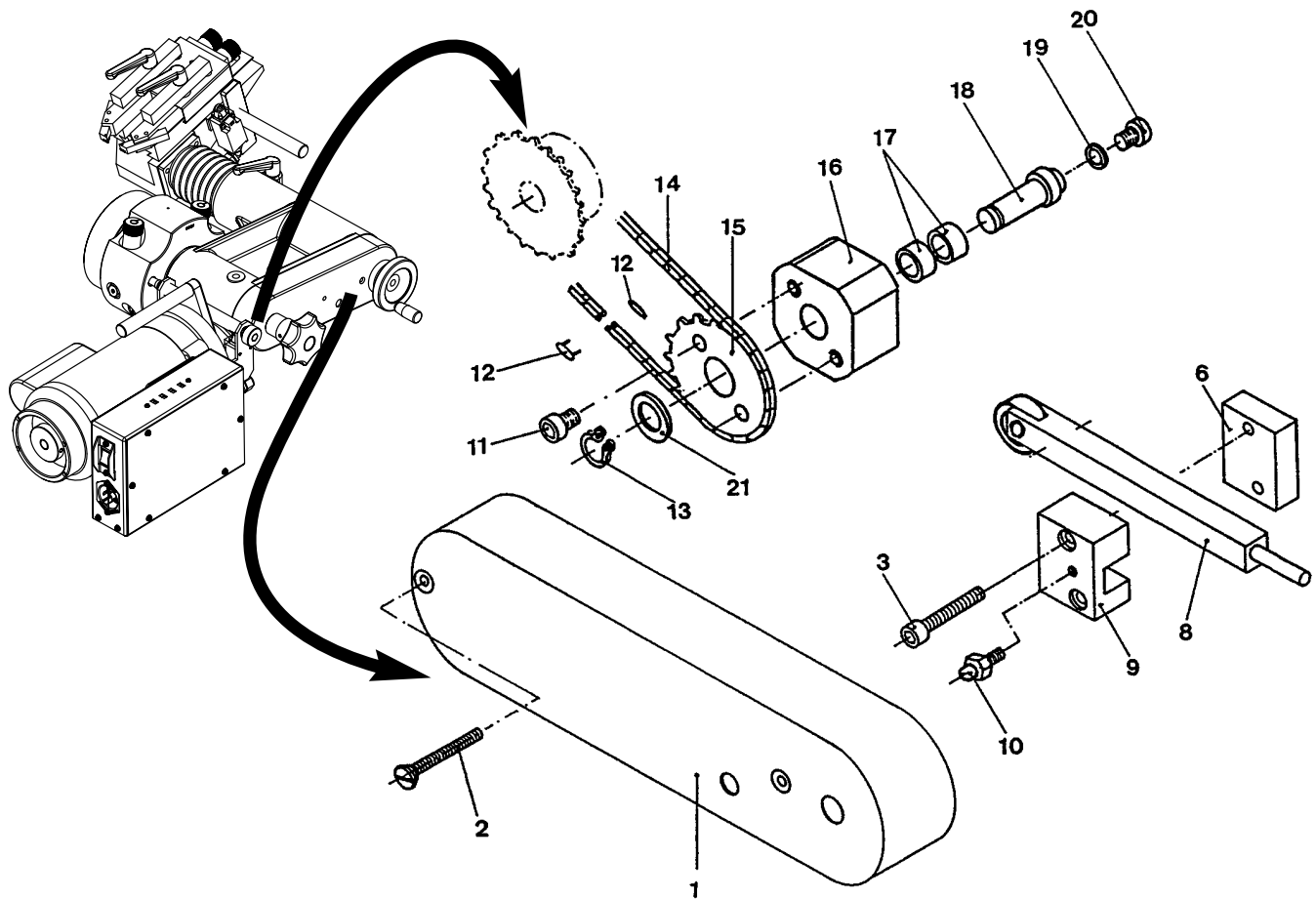
Item Qty. Part Description

P/N 941004 Cam Kit

13	1	Circlip
16	1	Cam
17	2	Shell Bearing
18	1	Journal Pin
19	1	Washer
20	1	Socket Head Screw
21	1	Washer

P/N 941008 Gearbox Cover

23	1	Rotary Seal
24	4	Socket Head Screw
25	1	Gear Box Cover
26	1	Bearing
27	1	O-Ring

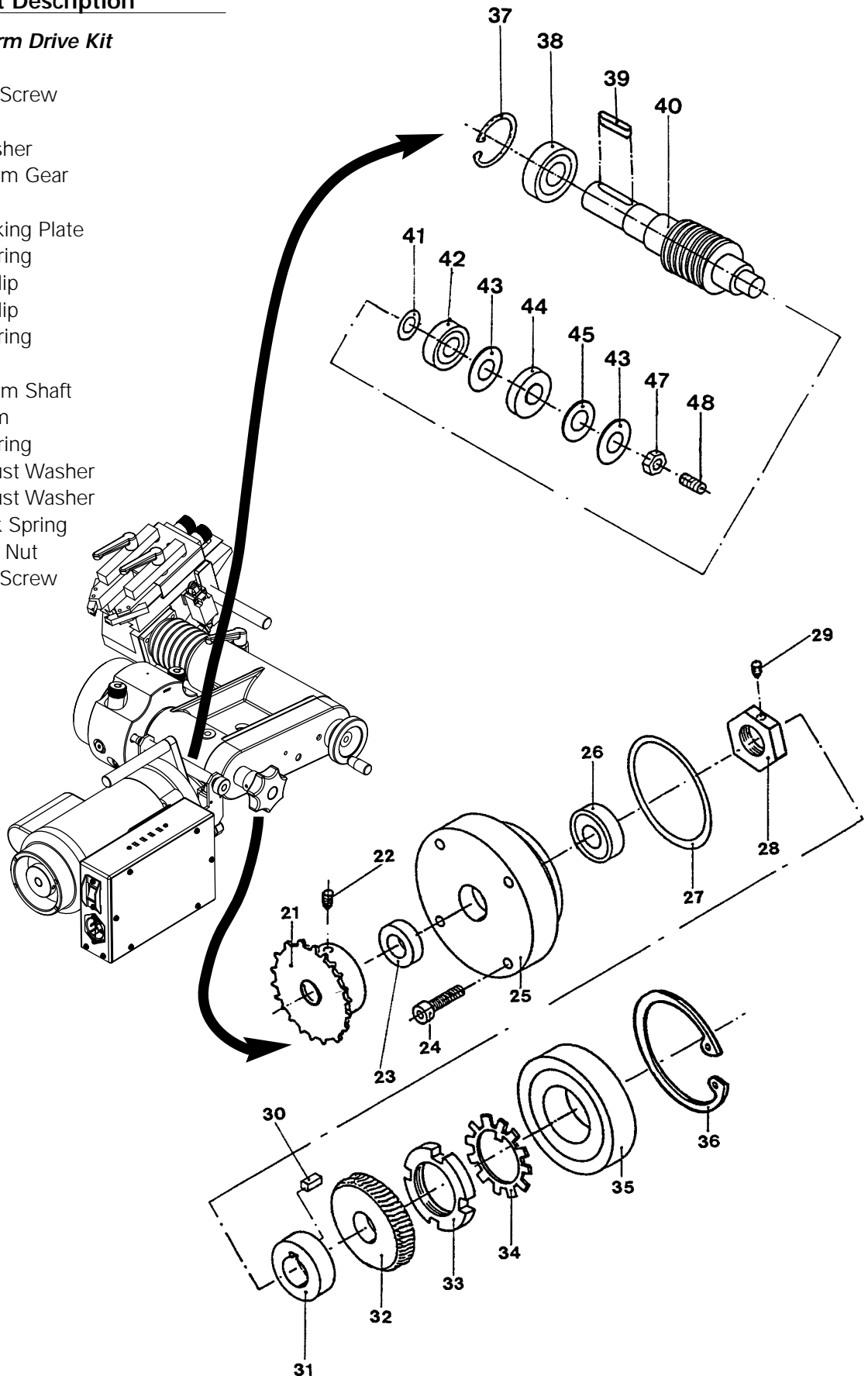


AMMCO 800

Item Qty. Part Description

P/N 941015 Worm Drive Kit

28	1	Nut
29	1	Set Screw
30	1	Key
31	1	Washer
32	1	Worm Gear </td
33	1	Nut
34	1	Locking Plate
35	1	Bearing
36	1	Circlip
37	1	Circlip
38	1	Bearing
39	1	Key
40	1	Worm Shaft
41	5	Shim
42	1	Bearing
43	2	Thrust Washer
44	1	Thrust Washer
45	1	Disk Spring
47	1	Hex Nut
48	1	Set Screw



AMMCO 800

Item Qty. Part Description

P/N 941018 Disk Handwheel Kit

1	1	Handwheel
2	1	Screw
3	1	Bushing
5	1	Clutch
6	1	Spring Loaded Peg
13	1	Key

P/N 941020 Freewheel Clutch Kit

7	1	Circlup
8	1	Washer
9	1	Sleeve Freewheel
10	1	Housing Freewheel
11	1	Grooved Pin
12	1	Spring
15	1	Circlip
16	1	Sleeve Freewheel
17	1	Drive Bushing
18	2	Socket Head Screw
19	1	Bearing Cap
20	1	Flanged Bushing
24	1	Pin
25	1	Screw
26	1	Bracket
27	1	Bracket
28	1	Hex Nut
29	1	Socket Screw

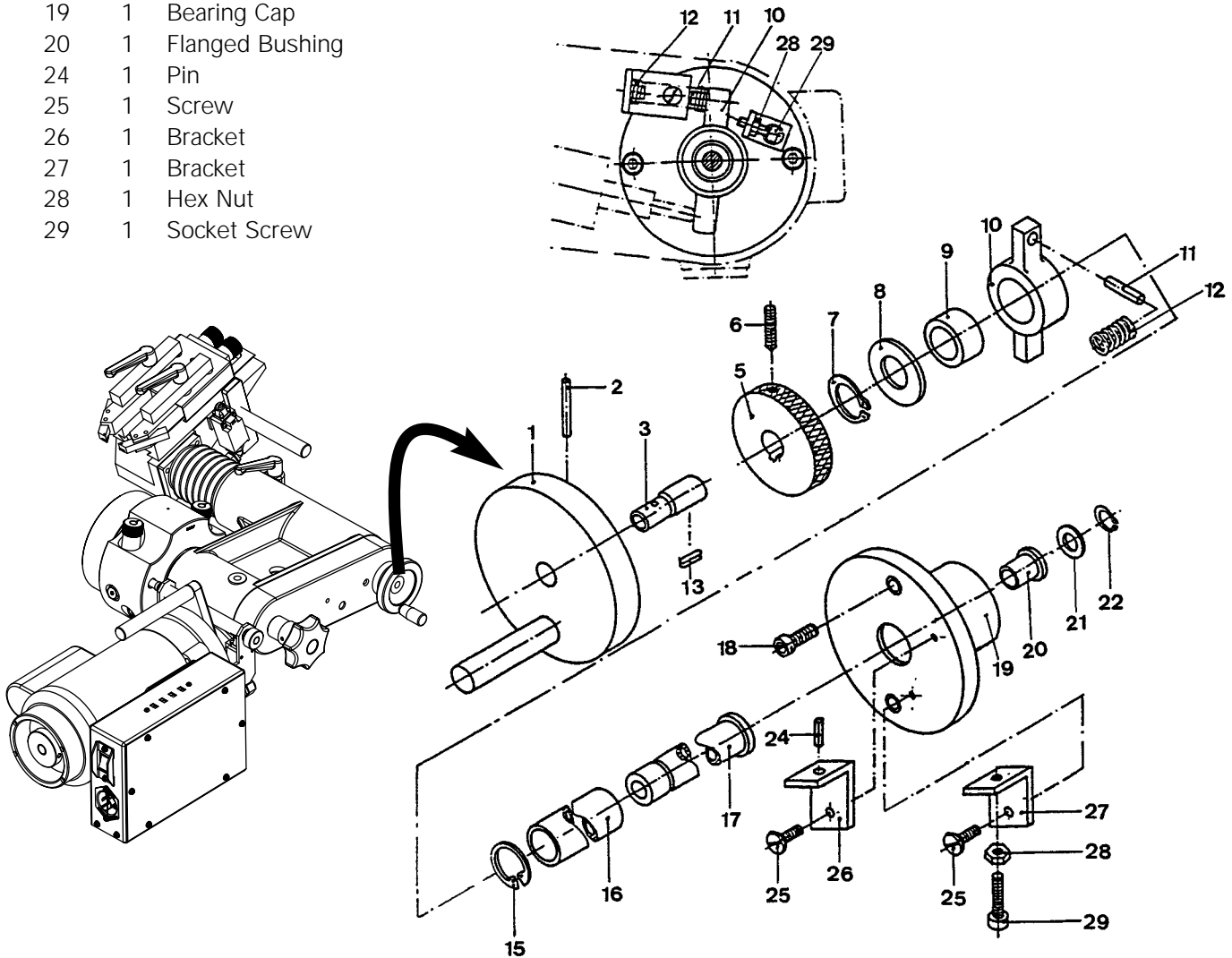
Item Qty. Part Description

P/N 941003 Feed Screw Nut Kit

30	1	Socket Head Screw
31	1	Washer
32	1	Sleeve
33	1	Ring Nut
34	4	Plate Spring
35	1	Feed Screw Nut

P/N 941002 Feed Screw & Bevel Gear Kit

36	1	Feed Screw
37	1	Set Collar
38	2	Retaining Pin
39	2	Flanged Bushing
40	1	Bearing Ring
42	1	Bevel Gear
51	1	Key
52	1	Bevel Gear



AMMCO 800

Item Qty. Part Description

P/N 940998 Feed Shaft Kit

21	1	Washer
22	1	Circlip
50	1	Feed Shaft

P/N 940999 Handle Kit

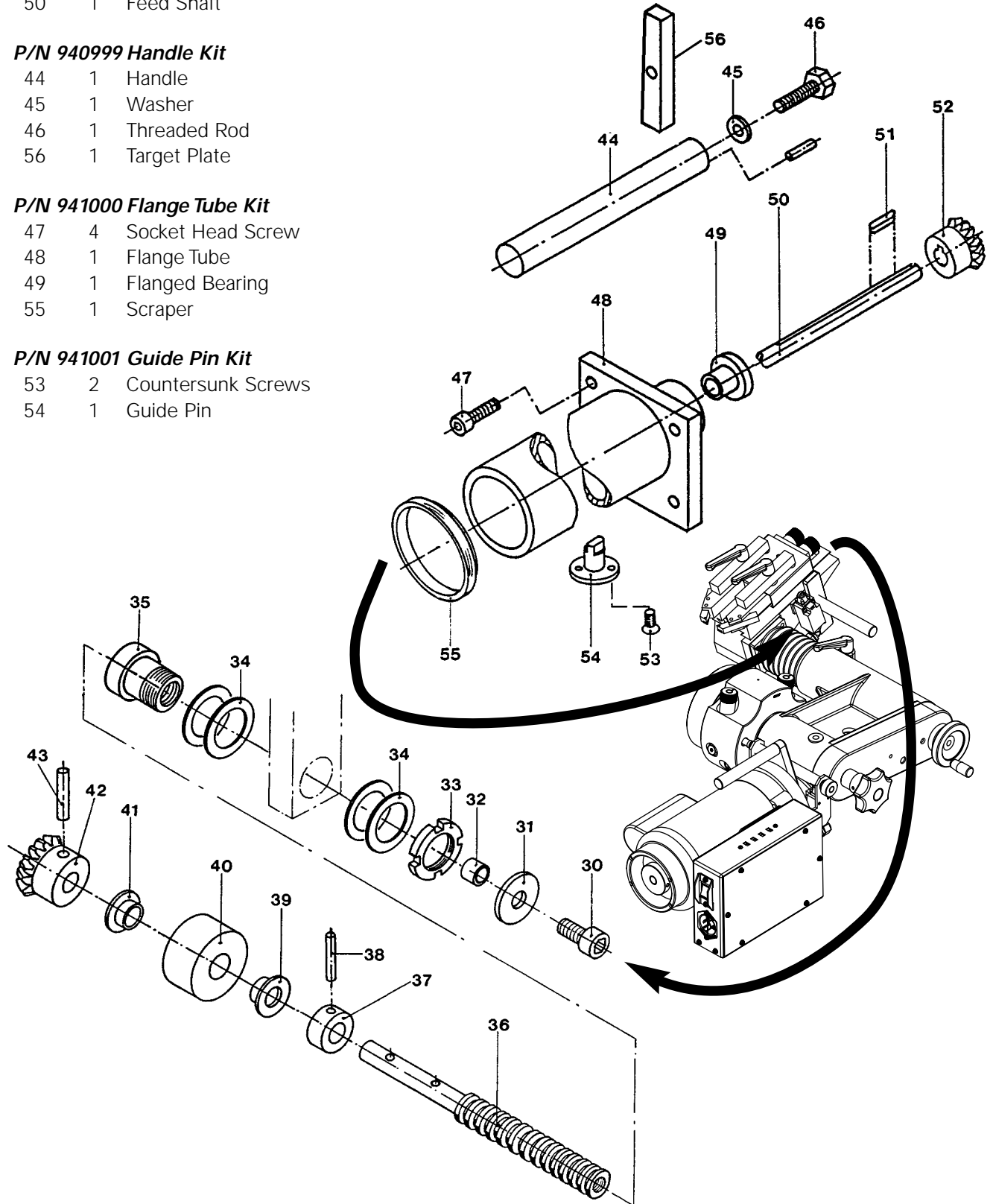
44	1	Handle
45	1	Washer
46	1	Threaded Rod
56	1	Target Plate

P/N 941000 Flange Tube Kit

47	4	Socket Head Screw
48	1	Flange Tube
49	1	Flanged Bearing
55	1	Scraper

P/N 941001 Guide Pin Kit

53	2	Countersunk Screws
54	1	Guide Pin



AMMCO 800

Item Qty. Part Description

P/N 941011 Adjustable Wedge Kit

1	1	Adjusting Wedge
2	1	Hex Nut
3	1	Adjusting Screw
4	2	Shim
12	1	Set Collar
13	1	Set Screw

P/N 941009 Guide Plate Kit

6	1	Legend Plate
7	4	Round Head Nails
9	1	Guide Plate
10	2	Socket Head Screws

P/N 941010 Rotary Knob

8	1	Rotary Knob
---	---	-------------

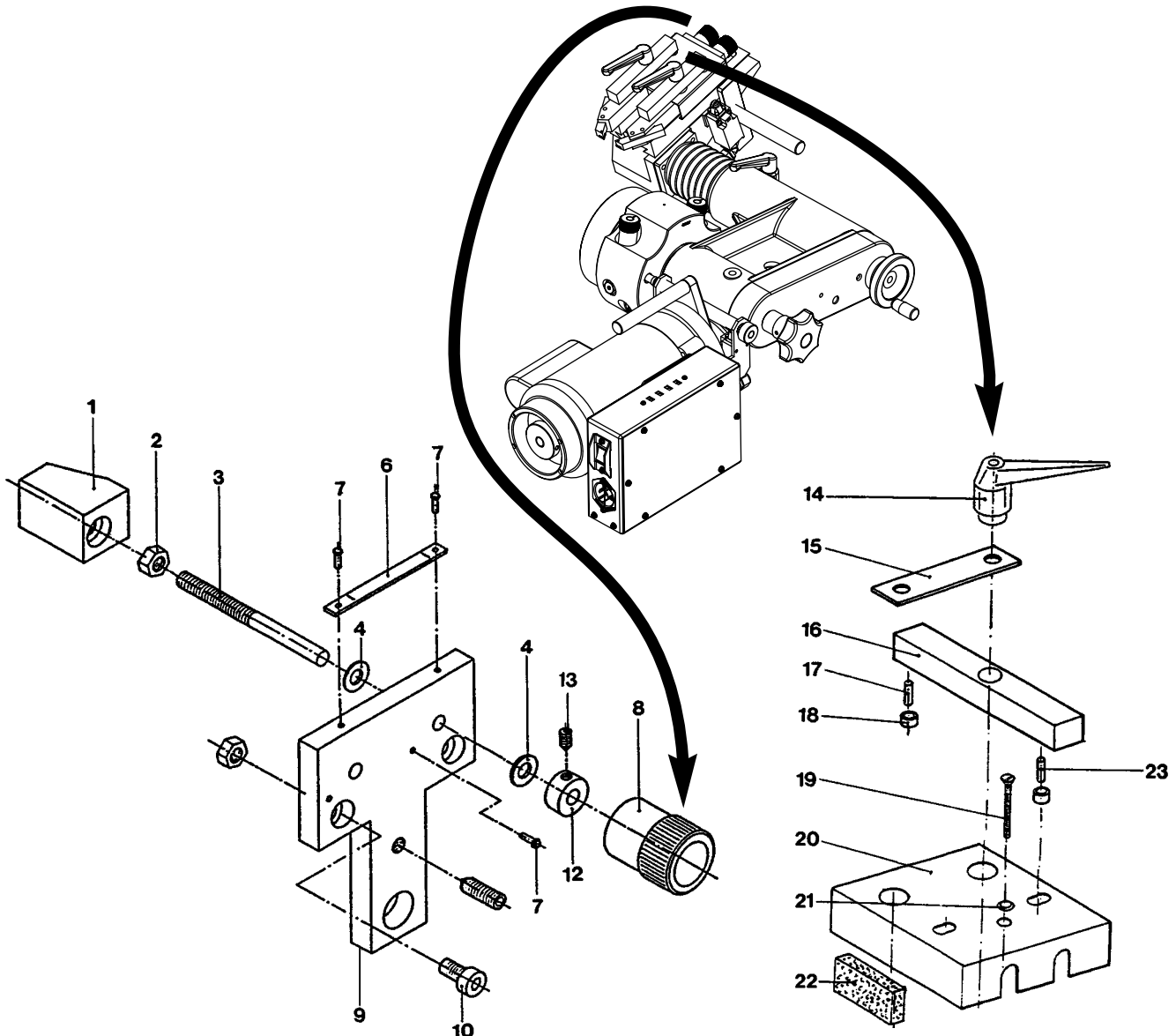
Item Qty. Part Description

P/N 940996 Clamping Plate Kit

15	1	Intermediate Plate
16	1	Clamping Plate
17	1	Locking Pin
18	2	Rings
23	1	Locking Pin

P/N 941019 Cover Kit

15	1	Intermediate Plate
19	1	Raised Head Screw
20	1	Cover
21	1	Screw Cup Washer
22	1	Foam Pad
35	1	Pad
37	1	Spacing Block



AMMCO 800

Item Qty. Part Description

P/N 940997 Clamping Lever Kit

14	1	Clamping Lever
38	1	Stud

P/N 941021 Tool Slide Kit

24	2	Clamping Pin
25	2	Set Screw
26	1	Set Screw
27	1	Hex Nut
28	2	Lube Nipple
31	1	Set Screw
32	1	Slide
33	1	Gib
34	2	Socket Screw
36	1	Spacing Tube
43	1	Slide Way
44	1	Socket Pin

Item Qty. Part Description

P/N 941012 Gib Rebuild Kit

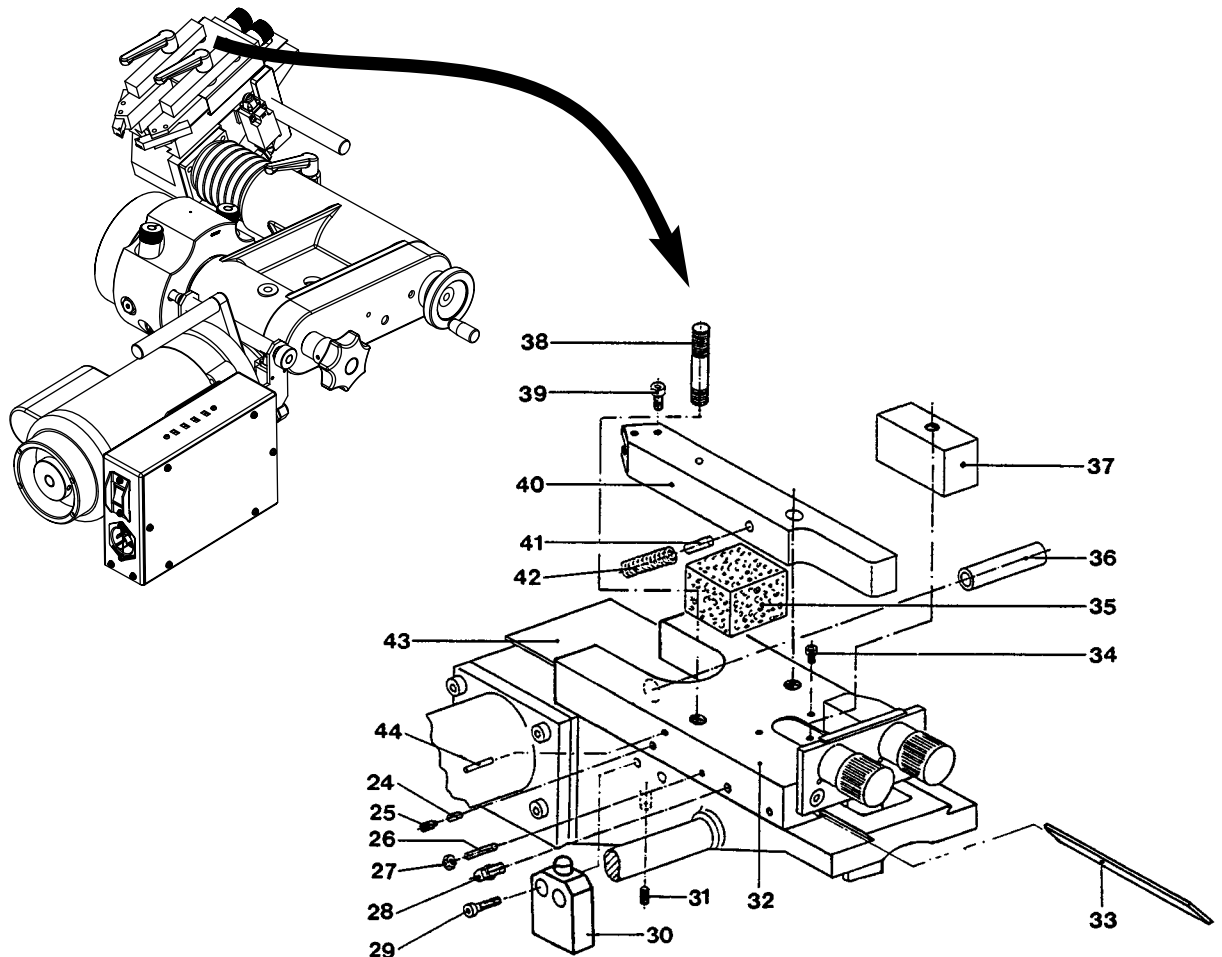
24	2	Clamping Pin
26	1	Set Screw
27	1	Hex Nut
31	2	Set Screw
33	1	Gib

P/N 941014 Position Switch Kit

29	2	Socket Head Screw
30	1	Switch

P/N 941013 Swivel Holder Kit

38	1	Stud
39	2	Socket Head Screw
40	1	Swivel Holder
41	1	Locking Pin
42	1	Spring



AMMCO 800

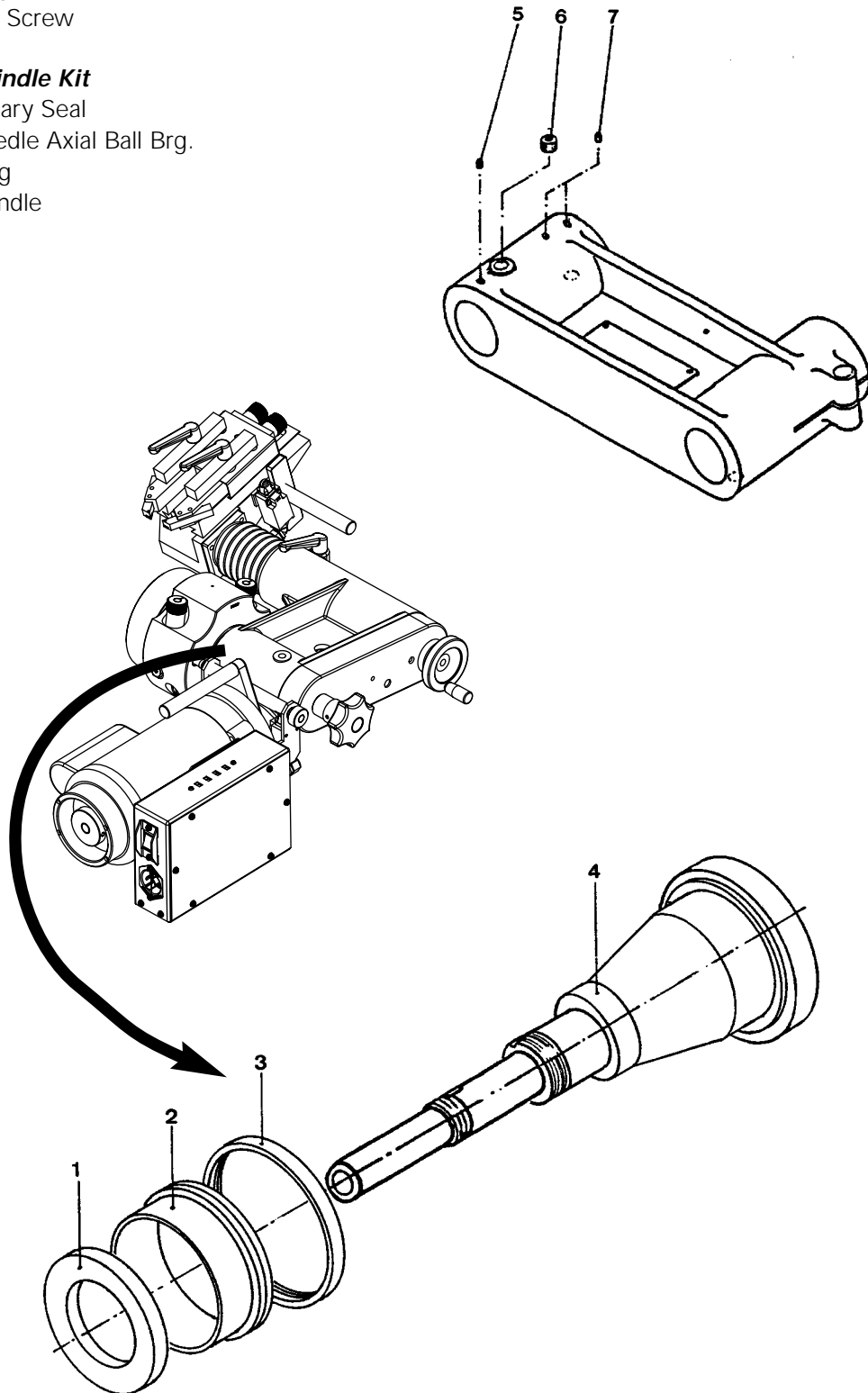
Item Qty. Part Description

P/N 941016 Housing Plug Kit

- 5 1 Plug
- 6 1 Plug
- 7 2 Set Screw

P/N 941017 Spindle Kit

- 1 1 Rotary Seal
- 2 1 Needle Axial Ball Brg.
- 3 1 Ring
- 4 1 Spindle



AMMCO 800

Item Qty. Part Description

P/N 940627 Trolley Complete

1 1 Trolley Complete

P/N 941023 Adjustable Lever Kit

1 1 Lever
2 1 Washer
3 1 Washer

P/N 940987 Short Arm Pivot Bracket

4 1 Plastic Plug
5 1 Pivot Bracket

P/N 940731 Cylinder

8 1 Cylinder

P/N 940842 Caster

10 1 Caster

P/N 941022 Adapter Mtg. Bracket Kit

9 5 Hex Nuts
11 1 Bushing
12 1 Screw
13 2 Mounting Brackets
14 2 Screw

P/N 940986 Main Tube Assembly Kit

6 2 Screw
7 1 Pivot Block
15 1 Screw
16 1 Washer
17 1 Main Tube Assembly
18 1 Screw

P/N 940628 Adjust Bar

19 1 Adjust Bar

P/N 940638 Base Assembly

20 1 Base Assembly

P/N 940784 Chip Tray Assembly

21 1 Chip Tray Assembly

