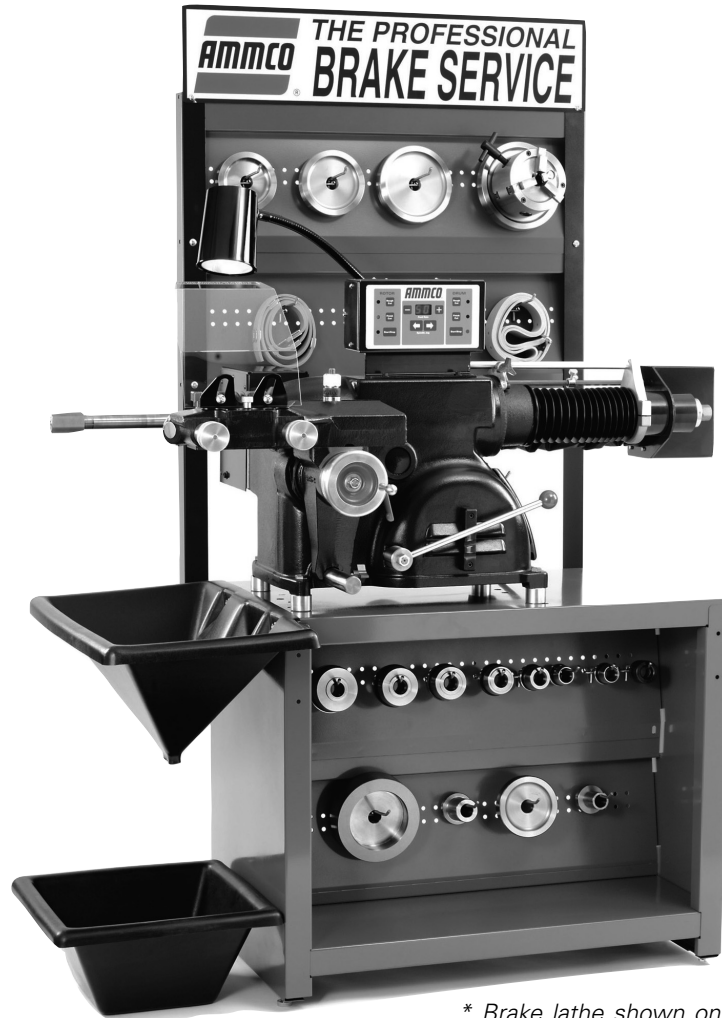




# 4000E Drum & Disc Brake Lathe



*\* Brake lathe shown on bench with sign, toolboard and accessories.*

## ***Parts Identification***

READ these instructions before placing unit in service. KEEP these and other materials delivered with the unit in a binder near the machine for ease of reference by supervisors and operators.

***HENNESSY INDUSTRIES, INC.***

1601 J. P. Hennessy Drive, LaVergne, TN USA 37086-3565 615/641-7533 800/688-6359

HENNESSY INDUSTRIES INC. Manufacturer of AMMCO®, COATS® and BADA® Automotive Service Equipment and Tools.

Manual Part No.: 95000104 01

Revision: 02/08

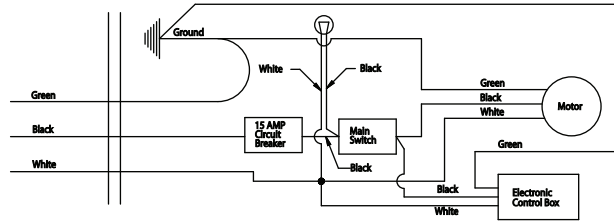
## Table of Contents

Electrical Panel Assembly .....	3
Control Box Assembly.....	4
Main Frame Assembly .....	5
Cross Feed Assembly .....	6
Cross Feed Drive Assembly.....	7
Motor and Worm Gear Drive.....	8
Drum Feed Assembly .....	9
6950 Twin Cutter .....	10

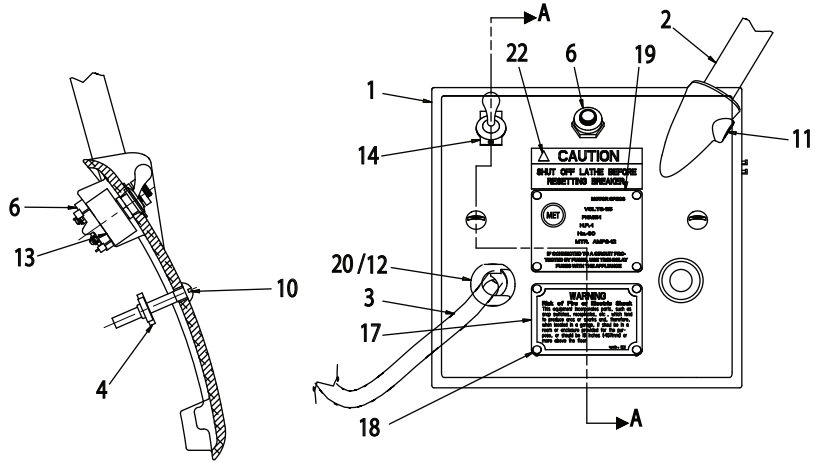
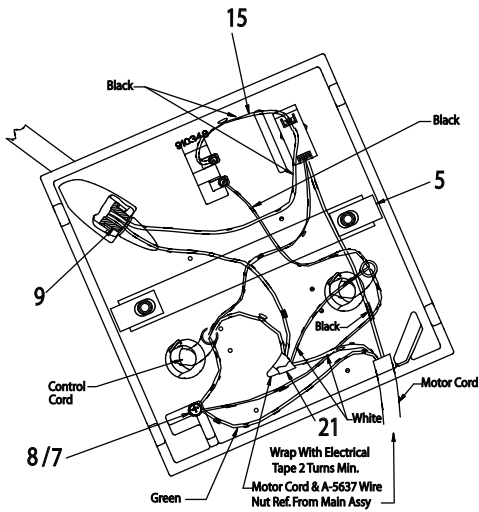
## Parts Identification

The following pages include full parts breakdowns with exploded view illustrations to help with ordering replacement or spare parts. Assemblies are noted where it is recommended that individual parts not be ordered separately. These parts are available only as assemblies because some parts are staked, pinned, or press fitted, then drilled, machined, or bored. Close tolerances must be maintained in assembly. Every effort is made to supply accurate exploded views, however, due to interim changes in manufacturing operations, some units may not be exactly as illustrated.

# Electrical Panel Assembly

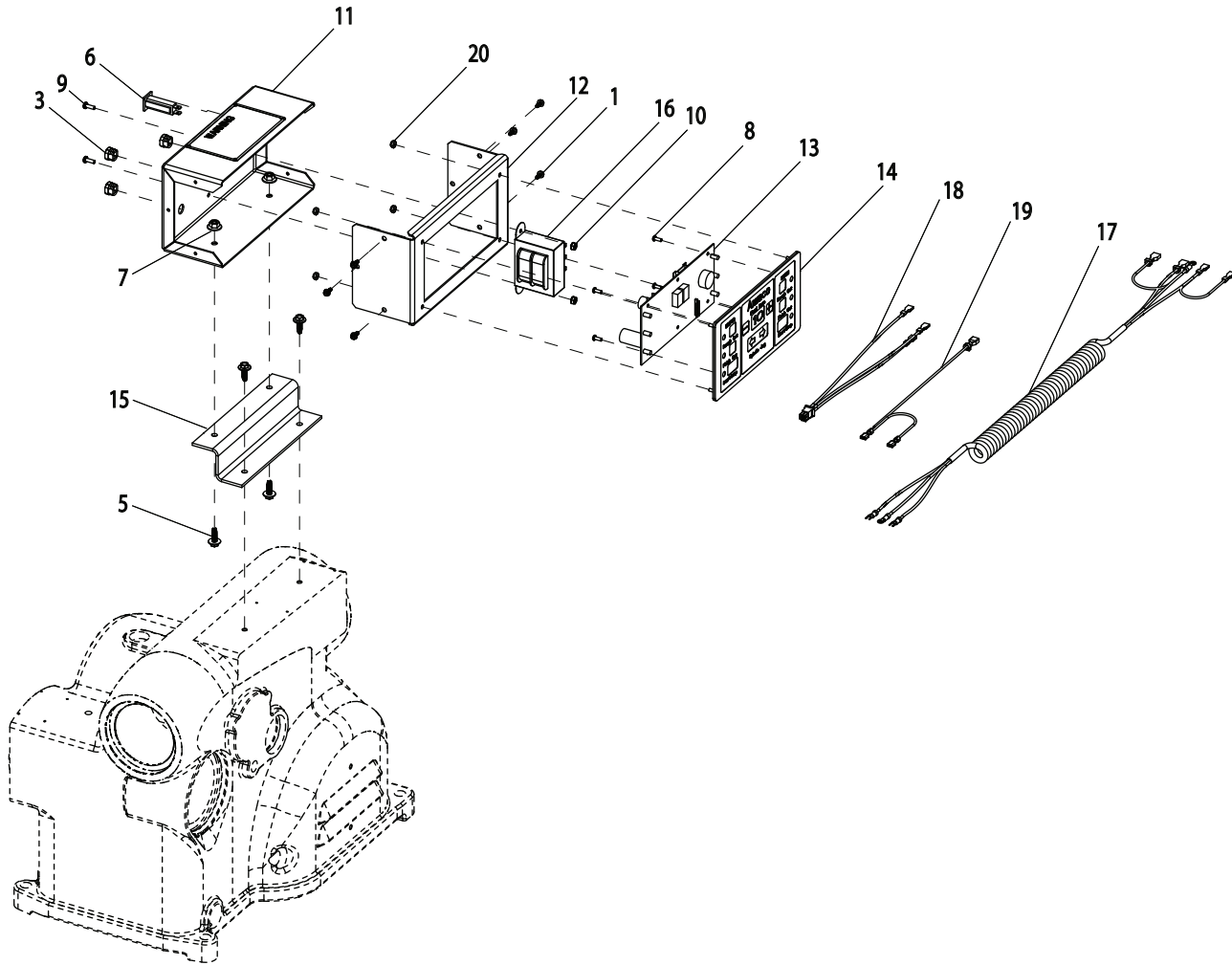


110V  
WIRING SCHEMATIC



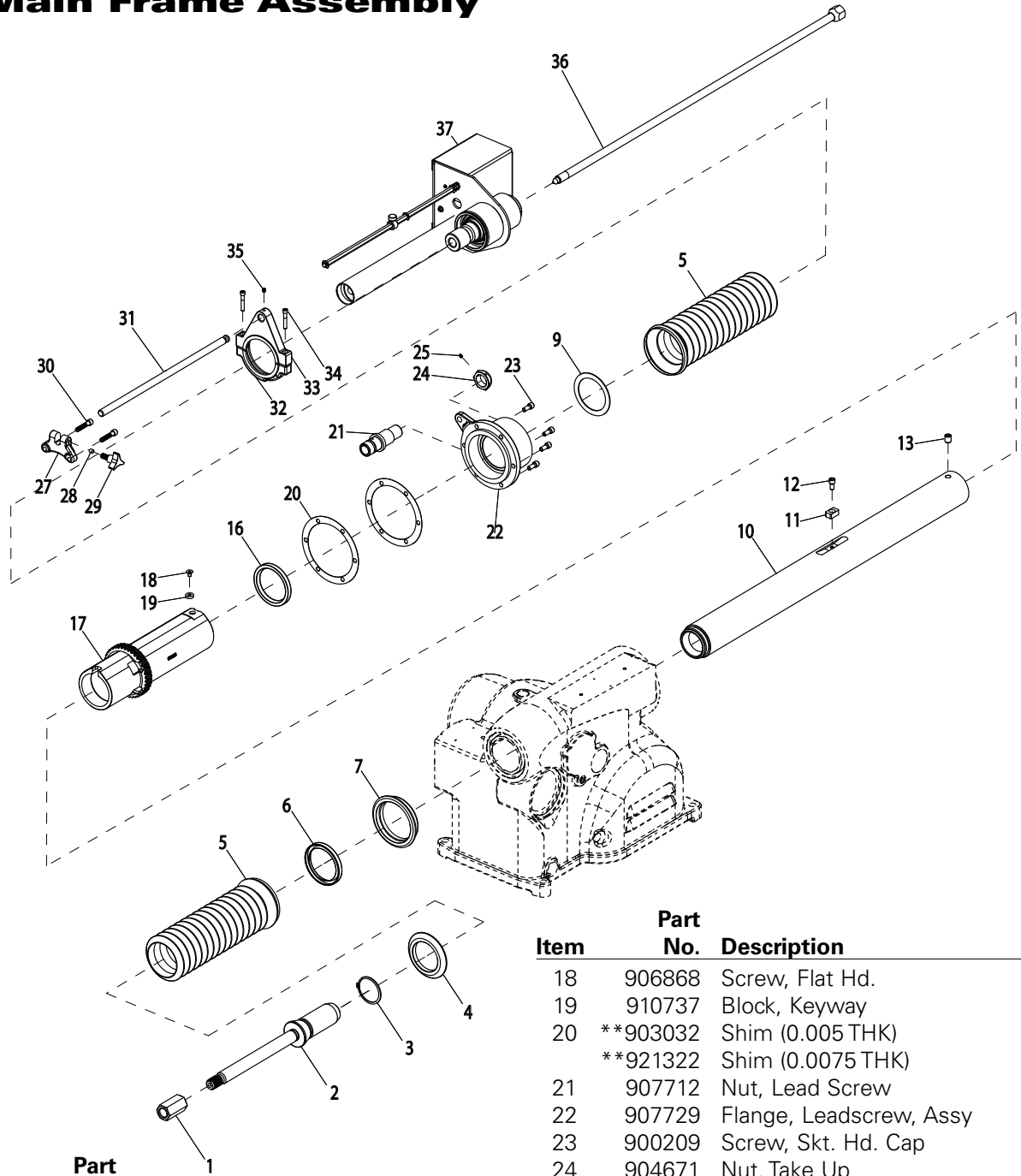
Item	Part No.	Description
1	95000121	Electrical Panel
2	907963	Lamp Assembly
3	907209	Cord Set, 110 V
4	940388	Clamp Strap
5	8143813	Tinnerman Nut
6	940868	15 AMP Circuit Breaker
7	921972	Selt-Tapping, #6 Screw
8	901926	Lock Washer
9	906889	Bushing
10	903183	Round Head Machine Screw
11	900220	Set Screw
12	906058	Cord Grip, 110 V
13	906893	Switch, 110 V
14	901185	Switch Plate
15	940988	Black Wire Assembly
17	920463	Electrical Caution Tag
18	900306	Screw, Drive
20	929642	Knock-out Adapter
22	941103	Reset Decal

# Control Box Assembly



Item	Part No.	Description
1	925019	Self-Tapping Hex Hd. Screw
3	929643	Heyco Strain Relief
5	8106301	Hex Washer Hd. Screw
6	8111218	Circuit Breaker, 2 Amp
7	8143169	1/4-20 UNC Whiz Locknut
8	8301067	#6-32 Screw
9	8301082	8-32 x 1/2 Screw
10	8301084	#8-32 Kep Nut
11	95000066	Control Box
12	95000067	Control Cover
13	95000084	Control PCB
14	95000087	Touch Panel Assembly
15	95000092	Mounting Bracket
16	95000093	Transformer
17	95000099	Recoiling Cord Assembly
18	95000102	Wire Harness Assembly
19	95000113	Wire Harness Assembly
20	8111055	#6-32 Lock Nut, w/Nylon Collar

# Main Frame Assembly

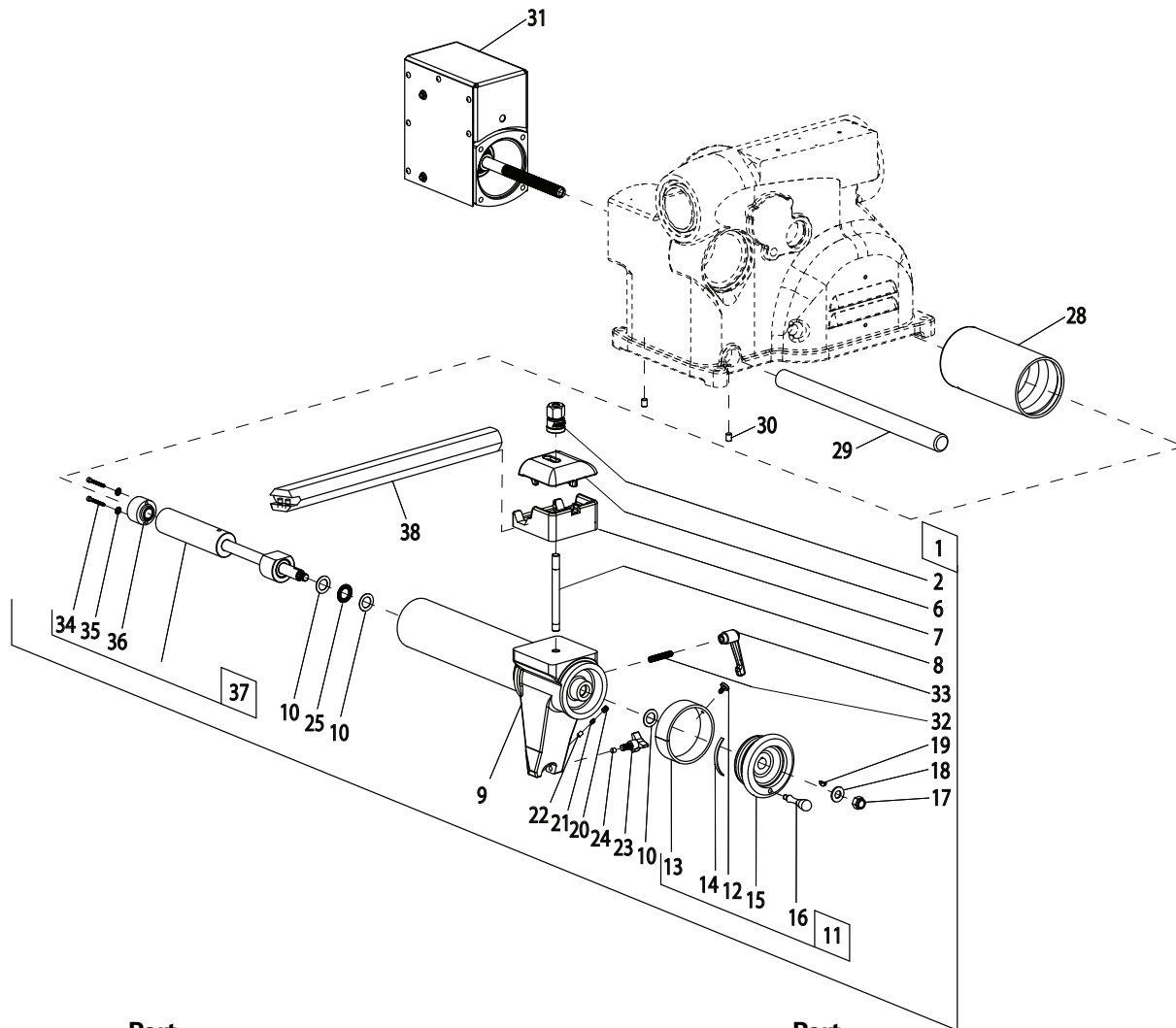


Item	Part No.	Description
1	95000132	Nut, Arbor
2	924363	Arbor, 1"
3	903159	Ring, Retaining
4	923682	Ring, Adapter
5	924725	Boot, Spindle
6	940720	Seal, Oil
7	903089	Ring, Oil Seal Aadpter
9	903033	Washer, Thrust
10	907714	Spindle Body
11	909831	Key, Drive
12	906486	Screw, Socket Head Cap
13	903224	Screw, Cuppoint Set
16	941041	Seal, Oil
17	910216	Quill, Drive

Item	Part No.	Description
18	906868	Screw, Flat Hd.
19	910737	Block, Keyway
20	**903032	Shim (0.005 THK)
	**921322	Shim (0.0075 THK)
21	907712	Nut, Lead Screw
22	907729	Flange, Leadscrew, Assy
23	900209	Screw, Skt. Hd. Cap
24	904671	Nut, Take Up
25	903338	Screw, Skt. Hd. Set
27	909592	Clamp, Front
28	903142	Plug, Brass
29	916854	Screw, Lock
30	903319	Screw, Skt. Hd. Cap
31	909593	Rod, Lock
32	909998	Clamp, Rear, Lower
33	909999	Clamp, Rear, Upper
34	906825	Screw, Skt. Hd. Cap
35	900213	Screw, Set
36	907716	Drawbar & Nut Assy.
37	*95000028	Drum Feed Assy

\*See exploded view, page 9.  
 \*\*Quantity as Required

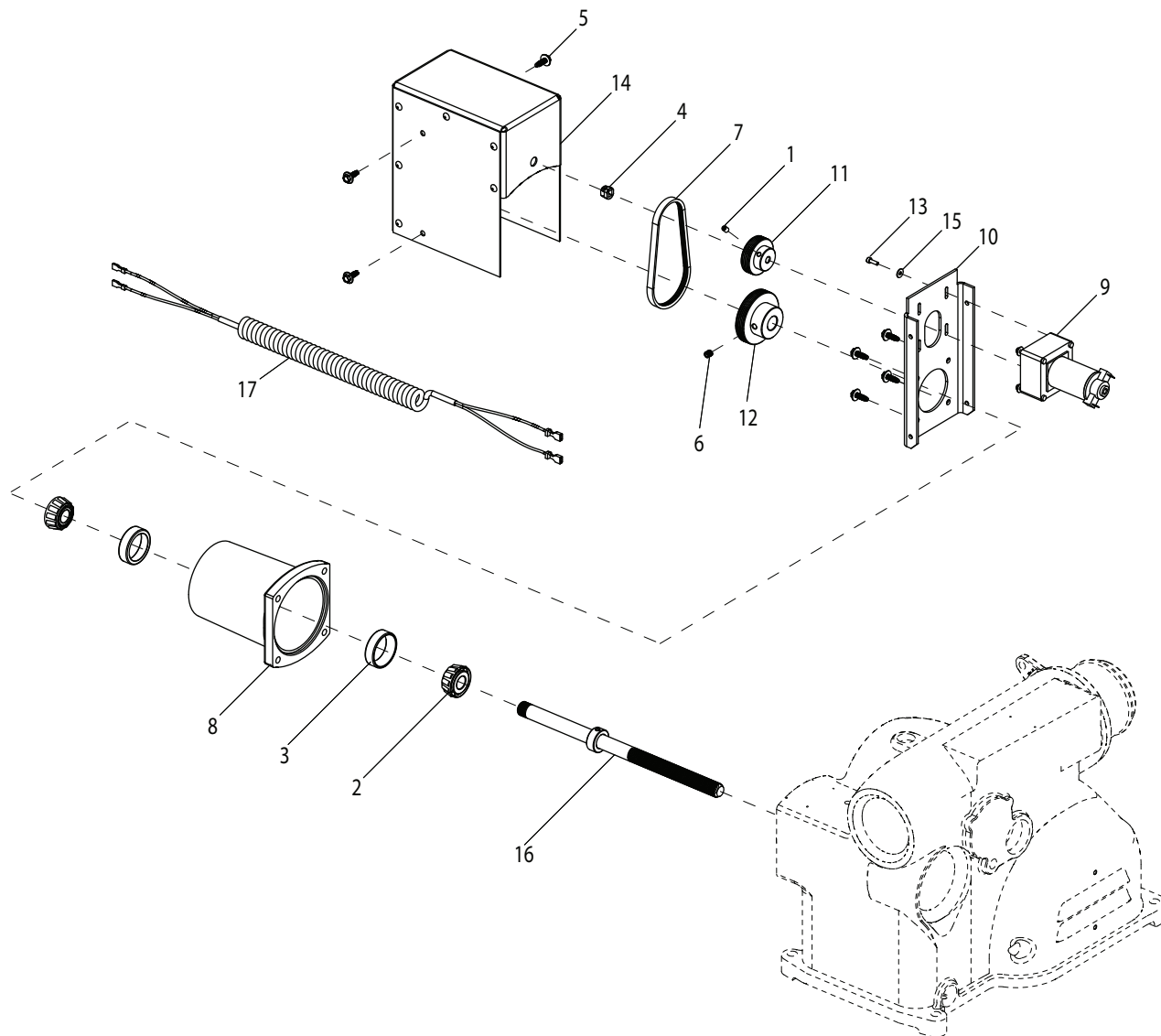
# Cross Feed Assembly



Item	Part No.	Description	Item	Part No.	Description
1		Cross Feed Assembly (4000E)	21	902064	Spring
2	911227	Nut/Washer, Hex, Self-Align, Assy.	22	909836	Plug
6	903017	Clamp, Boring Bar, Upper	23	916854	Lock Screw
7	920666	Clamp, Boring Bar, Lower	24	903142	Plug
8	903031	Boring Bar Stud	25	906873	Needle Thrust Bearing
9	909835	Crossfeed	28	903087	Cross Feed Boot Assy w/Spring
10	906874	Race	29	910346	Guide Bar
11	909626	Crossfeed Handwheel Assembly	30	901680	Set Screw
12	906839	Set Screw	31	*95000024	Cross Feed Drive Assembly
13	909634	Dial	32	8180102	Set Screw
14	909611	Dial Spring	33	95000046	Adjustable Lever
15	909633	Handwheel	34	922585	Soc Hd. Cap Screw
16	903026	Handwheel Crank	35	903910	Lock Washer
17	902309	Hex Lock Nut	36	928366	Lead Screw Nut
18	903214	1/2" Flat Washer	37	95000073	Feed Nut Shaft Assembly
19	903176	Woodruff Key	38	905481	Boring Bar
20	900220	Set Screw			

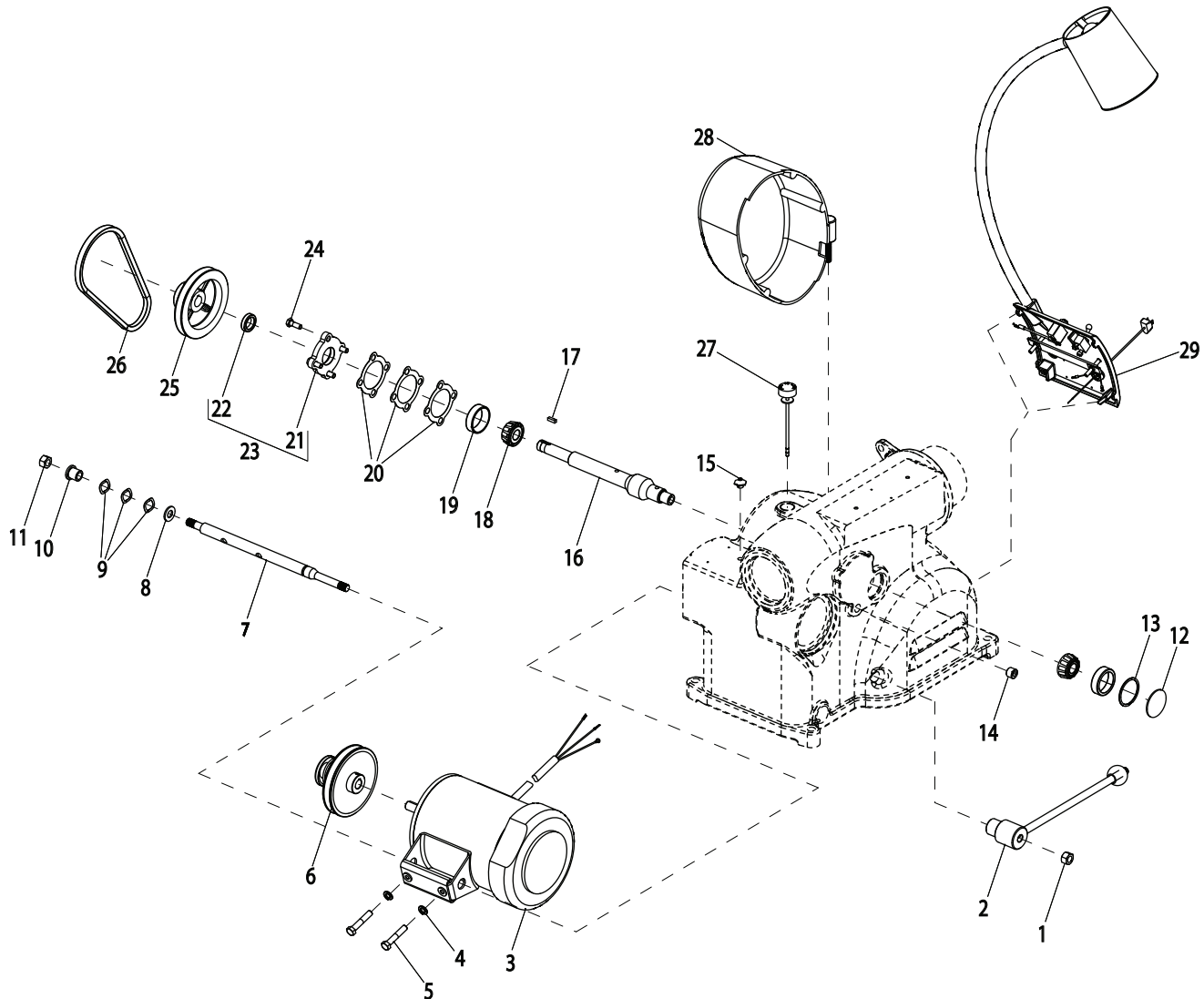
\* See exploded view, page 7.

# Cross Feed Drive Assembly



Item	Part No.	Description
1	902308	Set Screw
2	903393	Bearing, Cone
3	903394	Bearing, Cup
4	929643	Strain Relief, Heyco
5	8106301	Screw, Hex Washer Head
6	8180217	5/16-18 x 3/8" Set Screw
7	95000022	Belt, Polygroove
8	95000029	Housing, Bearing
9	95000030	Gearmotor, Crossfeed
10	95000032	Bracket, Mtg. Gearmotor
11	95000034	Pulley, Gearmotor
12	95000035	Pulley, Large
13	95000037	Screw, SHC M4-0.7 x 13 MM Lg.
14	95000040	Cross Feed Cover Assembly
15	95000041	4MM Fender Washer
16	95000071	Leadscrew Assembly
17	95000097	Recoiling Cord Assembly

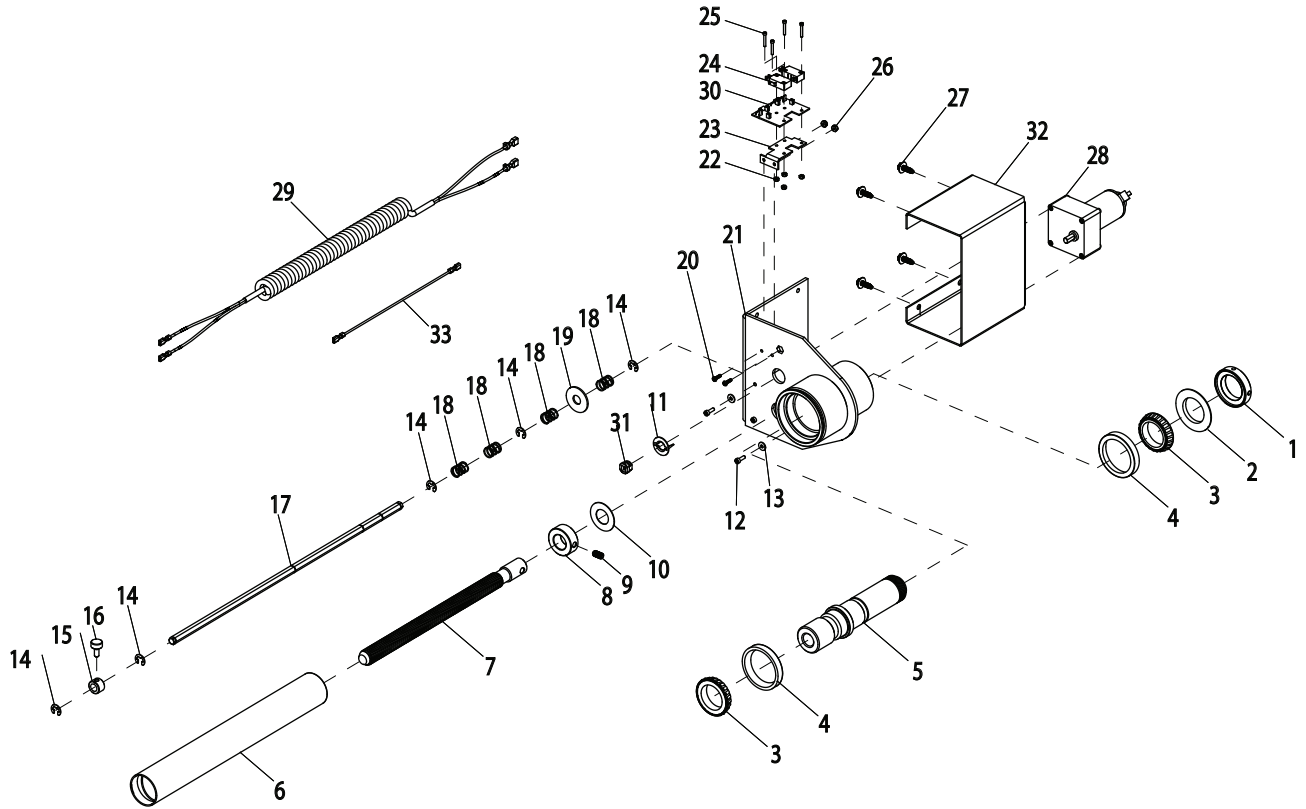
# Motor and Worm Gear Drive



Item	Part No.	Description	Item	Part No.	Description
1	903377	Nut, Hex	18	903393	Bearing, Cone
2	95000051	Lever Assembly	19	903394	Cup, Bearing
3	902165	Motor/Bracket Assy.	20	903169	Shim, 0.005" (*Qty As Required)
4	921557	Washer, Lock		903170	Shim, 0.007" (*Qty As Required)
5	906101	Screw, Hex Hd. Cap		903171	Shim, 0.020" (*Qty As Required)
6	95000036	Pulley, Variable Speed	21	903010	Cap, Bearing Seal
7	95000050	Shaft, Motor	22	903163	Seal, Oil
8	871100257	Washer, 1/2" Flat	23	903186	Cap and Seal Assy.
9	*902364	Washer, Wave (*Qty As Required)	24	900236	Screw, Hex Hd. Cap
10	903223	Bushing, Motor Mount Shaft	25	95000033	Pulley, Wormshaft
11	903377	Nut, Hex	26	95000076	Belt, 4L260W Heavy Duty FHP
12	903166	Welch Plug	27	903148	Dipstick
13	903172	Ring, Retaining I.D.	28	95000078	Belt Guard
14	903372	Plug, Allen Pipe	29	910352	Panel Assy., Electrical
15	922006	Fitting, Grease			
16	940140	Shaft, Worm W/Square Keyway			
17	940139	Key, Square			



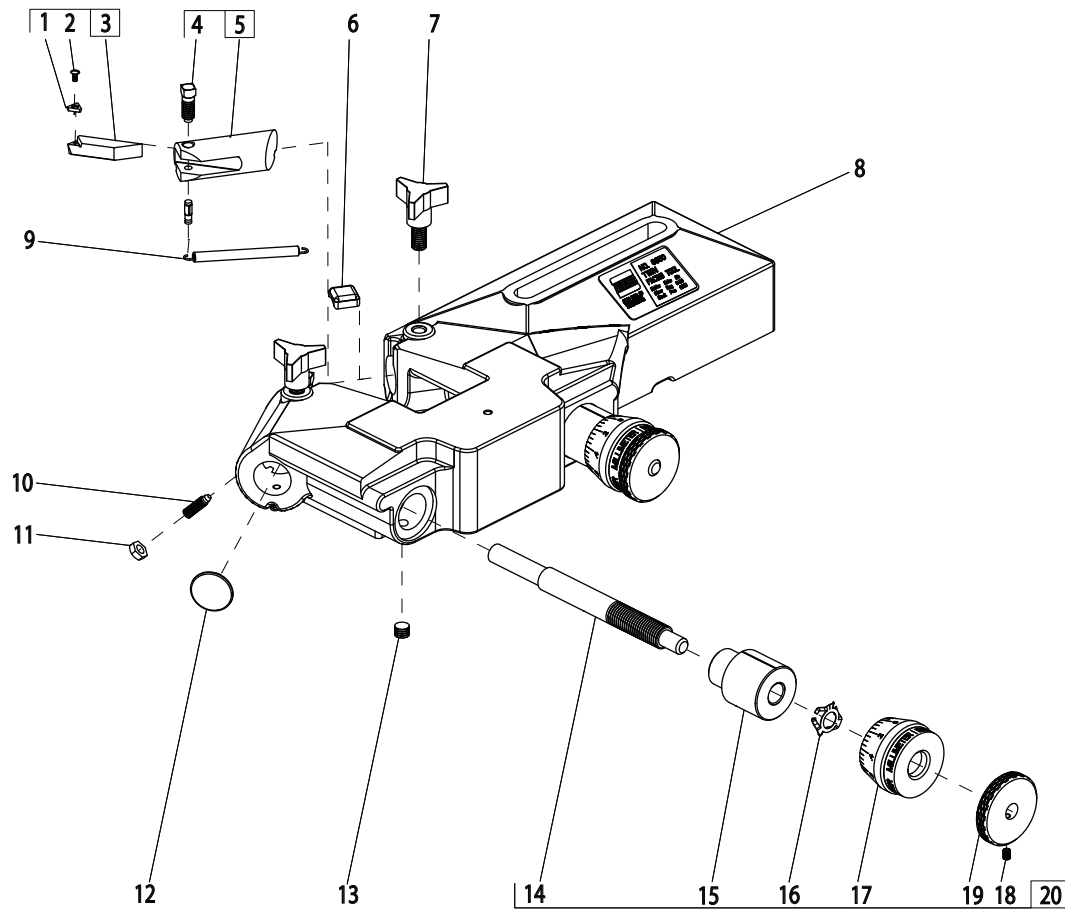
# Drum Feed Assembly



Item	Part No.	Description
1	909443	Nut, Bearing Lock
2	909444	Washer, Spherical
3	903391	Bearing, Taper Roller
4	903392	Cup, Bearing
5	903154	Spindle Extension
6	907703	Boot & Spring
7	95000057	Lead Screw, Drum Feed
8	95000080	Set Collar
9	95000081	Screw, SHSS
10	95000082	Washer, Thrust Bearing
11	929642	Adapter, Heyco Knock-out
12	95000037	Screw
13	95000041	Washer, Fender
14	95000060	E-ring
15	903039	Collar, Stop
16	903084	Screw, Knurled
17	95000058	Rod, Stop
18	95000059	Spring
19	95000082	Washer, Thrust Bearing
20	8301063	Screw, PPHMS
21	95000049	Bearing Housing Assembly

Item	Part No.	Description
22	95000357	4-40 Nut
23	95000062	Bracket, Switch
24	8113334	Switch, Micro
25	95000064	Screw, SHC
26	8111055	Nut, Hex Lock
27	8106301	Screw, HWHST
28	95000083	Gearmotor, Drum Feed
29	95000097	Recoiling Cord Assembly
30	95000114	PCB, Limit Switch
31	929643	Relief, Heyco Strain
32	95000061	Wrapper, Drumfeed
33	95000118	Wire Assembly

# 6950 Twin Cutter



Item	Part No.	Description
*1	906918	Carbide Insert, Positive Rake
**	906914	Carbide Insert, Negative Rake
2	906499	Screw, #4-40 X .25 Oval Head
*3	925968	Holder, Tool Bit, RH, Positive Rake
*	925969	Holder, Tool Bit, LH, Positive Rake
**	910701	Holder, Tool Bit, RH, Neg. Rake
**	910702	Holder, Tool Bit, LH, Neg. Rake
4	909249	Screw, Square Head Set
5	910650	Toolholder, Left Hand
	910651	Toolholder, Right Hand
6	928584	Gib, Brass, Tool Holder
7	906854	Screw, Lock
8	928572	Twin Cutter Housing
9	906905	Spring
10	906879	Screw, Locating
11	903528	Nut, Hex
12	906977	Plug, Dot

Item	Part No.	Description
13	906109	Screw, 3/16-16 Set
14	906908	Rod, Dial
15	906906	Plug, Dial
16	906929	Washer, Spring
17	906907	Dial, Micrometer
18	903338	Screw, Set
19	906923	Knob, Dial Rod
20	906901	Dial Assembly

**Note:** These parts are not included with the 6950 Twin Cutter tool.

For a complete assembly, order one of the following:  
 \*28800 twin cutter with positive rake tool holders and bits.  
 \*\*29800 twin cutter with negative rake tool holders and bits.



