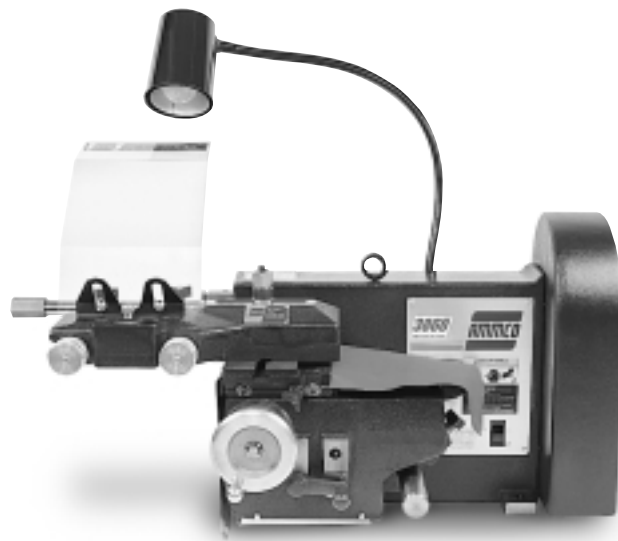




3850, 3860 Drum & Disc Brake Lathes



Parts Identification

READ these instructions before placing unit in service. KEEP these and other materials delivered with the unit in a binder near the machine for ease of reference by supervisors and operators.

HENNESSY INDUSTRIES, INC.

1601 J. P. Hennessy Drive, LaVergne, TN USA 37086-3565 615/641-7533 800/688-6359

HENNESSY INDUSTRIES INC. Manufacturer of AMMCO®, COATS® and BADA® Automotive Service Equipment and Tools.

Manual Part No.: 940942 00

Revision: 05/01

Parts Identification

Parts Identification

Table of Contents

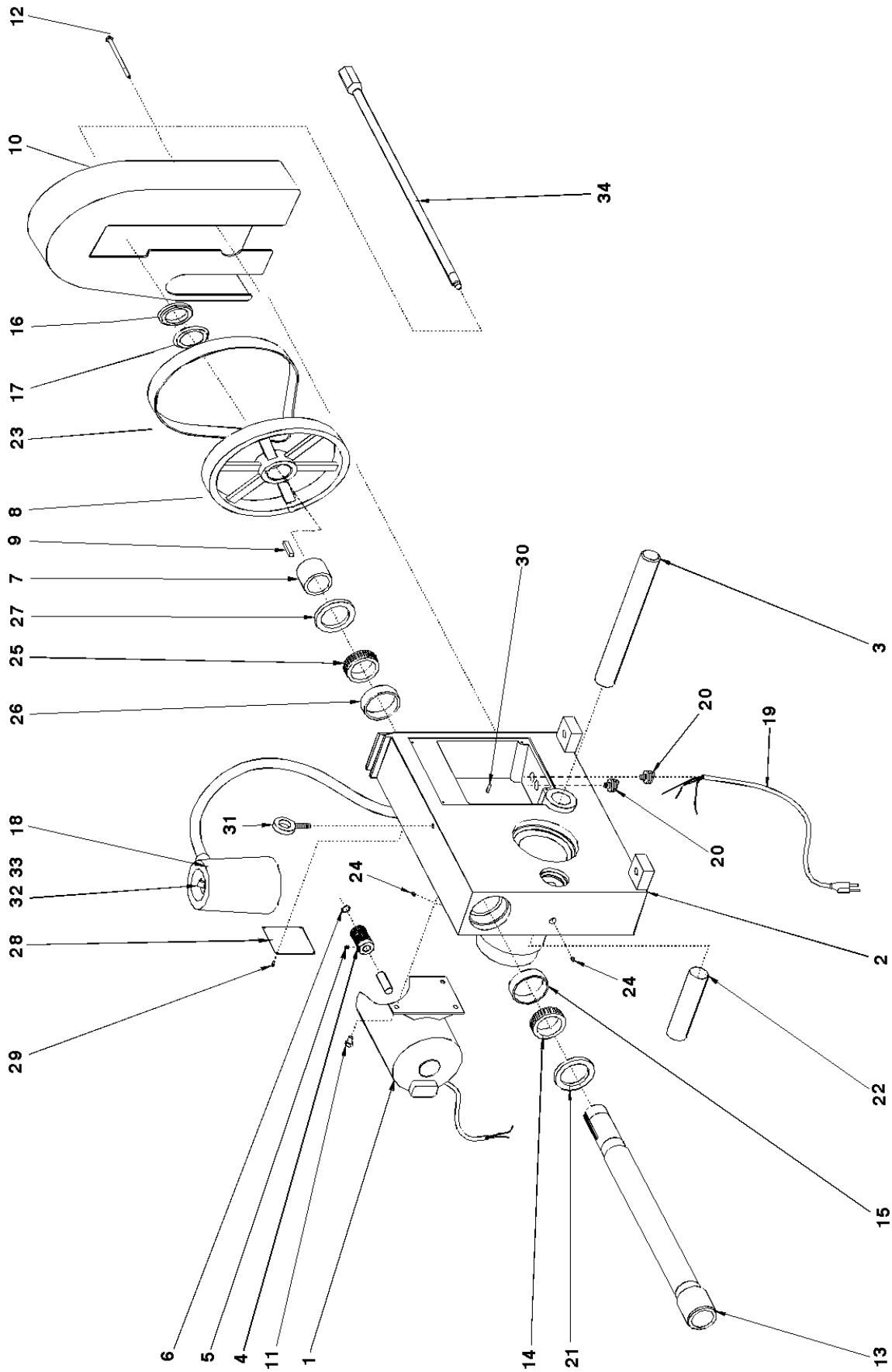
Mainframe Assembly	4 - 5
Electrical Schematic	.5
Lathe Assembly	.6 - 7
Twin Cutter & Safety Shield	.8 - 9
Drum Boring Bar Assembly (3860 ONLY)	.8 - 9
Crossfeed Assembly	.10 - 11

Parts Identification

The following pages include full parts breakdowns with exploded view illustrations to help with ordering replacement or spare parts. Assemblies are noted where it is recommended that individual parts not be ordered separately. These parts are available only as assemblies because some parts are staked, pinned, or press fitted, then drilled, machined, or bored. Close tolerances must be maintained in assembly. Every effort is made to supply accurate exploded views, however, due to interim changes in manufacturing operations, some units may not be exactly as illustrated.

Parts Identification

Mainframe Assembly

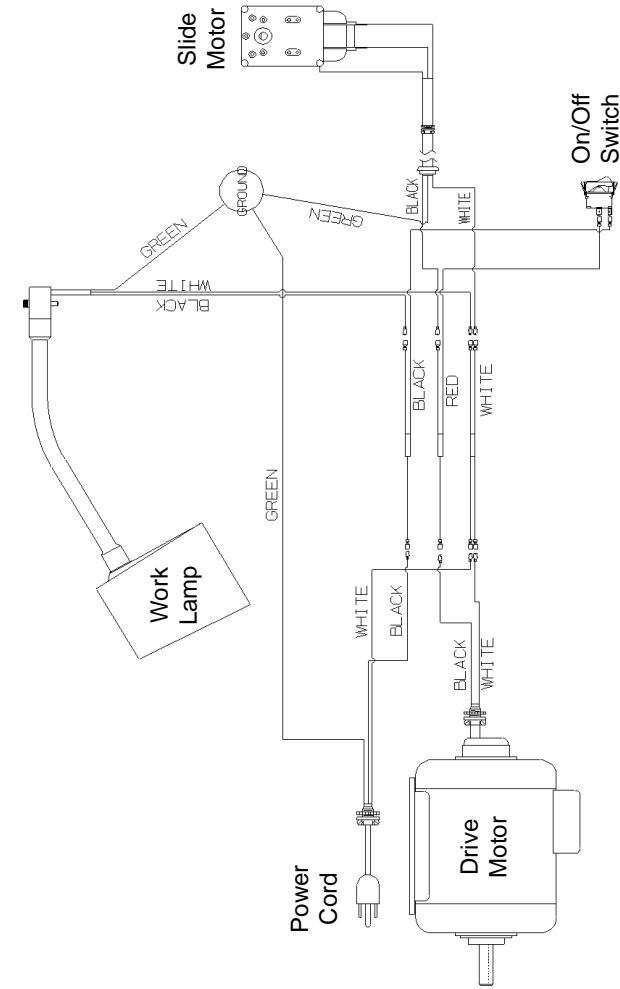


*Not Shown - Motor Chipshield 3860 Only

Parts Identification

Mainframe Assembly

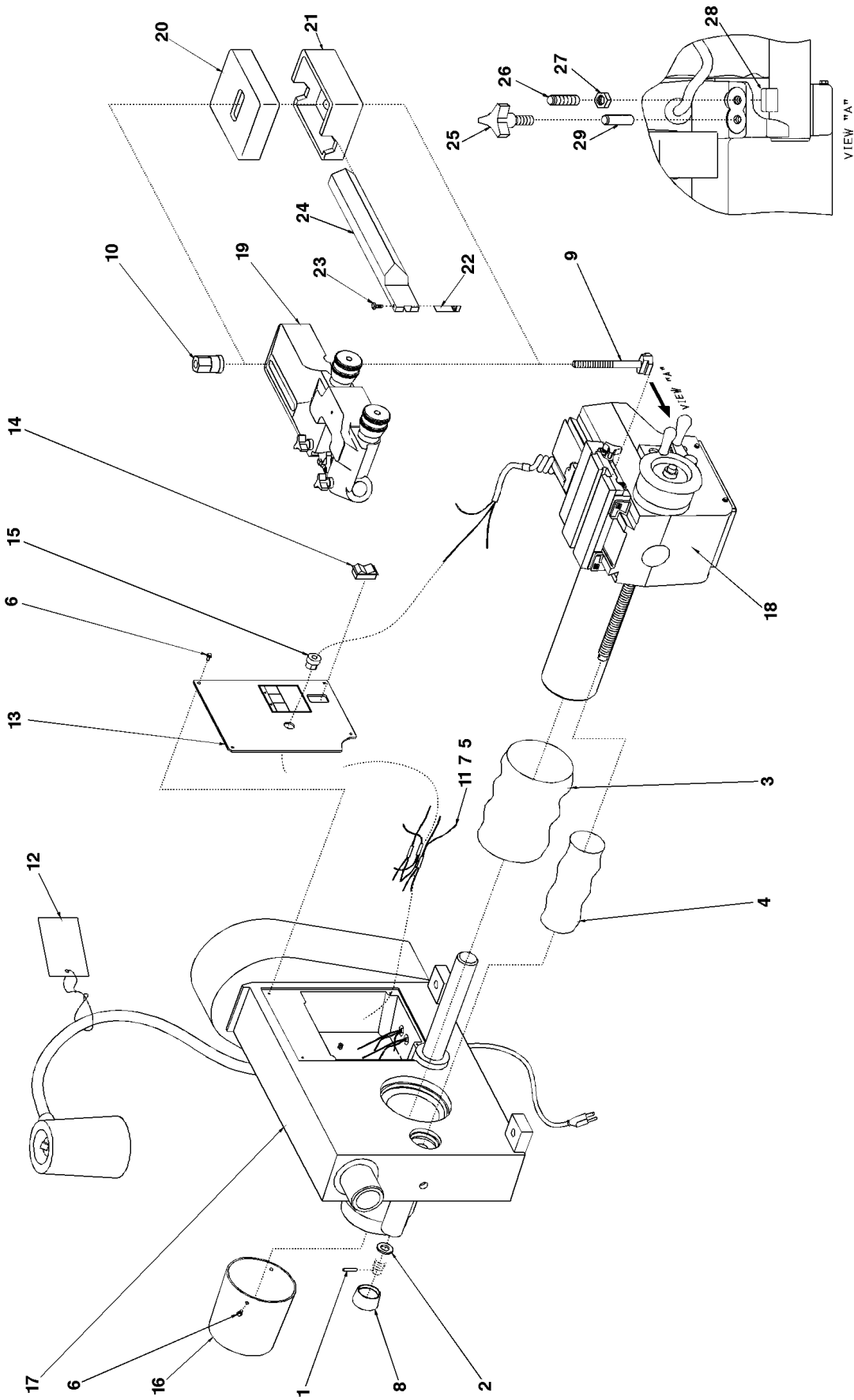
Electrical Schematic



ITEM NO.	QTY	DESCRIPTION
1	29266	1 Motor, Drive
2	29200	1 Mainframe
3	29163	1 Bar, Guide
4	29645	1 Sheave, Motor
5	29194	1 Screw, 1/4-20x.25 Hex Socket Head Cap
6	29235	1 Ring, Retaining, Internal
7	29169	1 Spacer
8	29644	1 Sheave, Spindle
9	29203	1 Key, Square
10	29640	1 Cover, Pulley
11	29212	4 Screw, 5/16-18x.5 Hex Flat Head
12	29232	1 Screw, 1/4-20 Flat Head Whiz Lock
13	29186	1 Spindle
14	25705	1 Cone, Bearing
15	25706	1 Cup, Bearing
16	6980	1 Nut, Adjusting, Spindle Bearing
17	6981	1 Ring, Lock, Spindle Bearing
18	29236	1 Lamp Assembly
19	29239	1 Power Cord
20	25783	2 Strain Relief
21	25704	1 Seal
22	29164	1 Tube, Protector, Rotor Feed
23	29646	1 Belt
24	100305	2 Fitting, Grease
25	25710	1 Cone, Bearing
26	25711	1 Cup, Bearing
27	25709	1 Seal
28	29244	1 Plate, Serial
29	306	8 Screw, Drive
30	6824	1 Screw, 8-32x1 Slot Fillister Head
31	29282	1 Bolt, Eye
32	22763	1 Switch, Lamp
33	22764	1 Dust Boot
34	29184	1 Draw Bar

Parts Identification

Lathe Assembly



Parts Identification

Lathe Assembly

PART			
ITEM NO.	QTY	DESCRIPTION	
1	29181	1	Pin
2	29217	1	Washer
3	29191	1	Crossfeed Boot & Retaining Ring Assembly
4	29190	1	Lead Screw Boot & Retaining Ring Assembly
5	29252	1	Wiring Harness, 3-Wire Black
6	29227	6	Screw, 8-32 Unc x.38 Hex Washer Head
7	29157	1	Wiring Harness, 4-Wire
8	29216	1	Cap Plug, Protect Tube
9	29259	1	Bolt, T-Slot, 1/2
10	11227	1	Nut, Self-Alignment
11	29155	1	Wiring Harness, 3-Wire Red
12	3559	1	Caution Card
13	29238	1	Electrical Panel
14	29242	1	Switch
15	21144	1	Strain Relief
16	29198	1	Cap, End, Crossfeed
17	29400	1	Mainframe Assembly
18	29300	1	Crossfeed Assembly
19	28800	1	Twin Cutter Assembly, Pos. Rake (3850)
	29800	1	Twin Cutter Assembly, Neg. Rake (3860)
20	3017	1	Clamp, Boring Bar, Top
21	2066	1	Clamp, Boring Bar, Bottom
22	5390	1	Holder, Tool Bit (3850)
23	5689	1	Screw, Sq. Hd. Set (3850)
24	29240	1	Boring Bar Assembly (3850)
25	6854	1	Knob, Lock
26	29201	1	Screw, 3/8-16 Ft. Pt. Set
27	29230	1	Nut, Jam
28	29187	1	Gib, Crossfeed

Parts Identification

Drum Boring Bar Assembly (3860 ONLY)

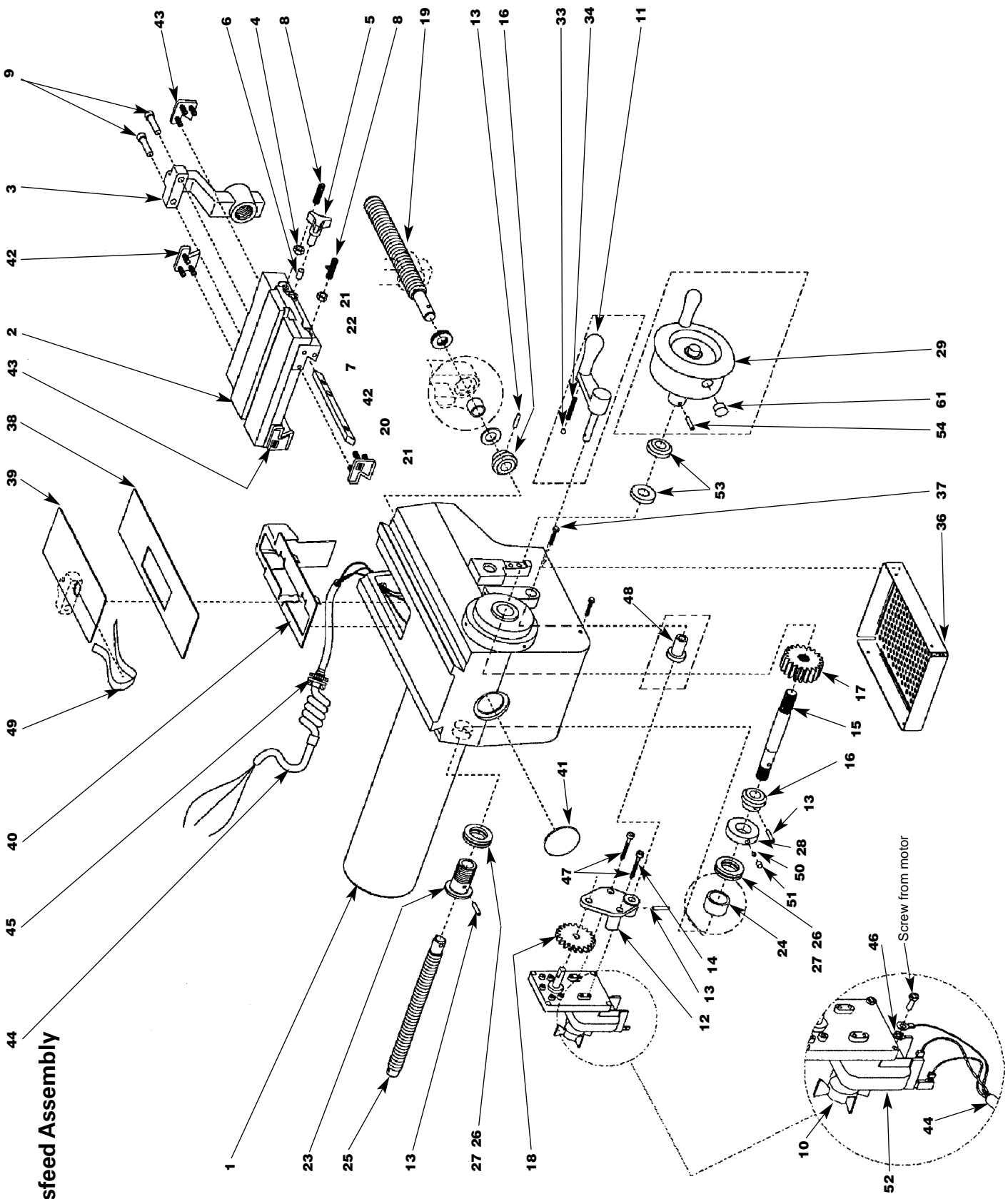
PART ITEM NO.	QTY	DESCRIPTION
1	25750	1 Bar, Tool, RH, Assembly
2	6499	1 Screw, Oval Hd, Machine
3	6914-2	1 Bit, Carbide (Pkg./2)
4	25762	1 Holder
5	25754	1 Sleeve
6	25756	1 Spring Compression
7	24922	1 Washer, Flat
8	25757	2 Screw, Shoulder
9	25753	1 Bar, Boring
10	25759	1 Ring, Retaining, External
11	25758	1 Washer, Wave
12	25752	1 Dial, Micrometer
13	25755	1 Rod, Dial
14	3338	1 Screw, Set, Cup Point
15	25751	1 Dial, Depth

Twin Cutter & Safety Shield

PART ITEM NO.	QTY	DESCRIPTION
1	6918	2 *Carbide Insert, Pos. Rake (3850)
	6914	2 **Carbide Insert, Neg. Rake (3860)
2	6499	2 Screw, 4-40x.25 Oval Head
3	25968	1 *Holder, Toolbit, RH, Pos. Rake (3850)
	25969	1 *Holder, Toolbit, LH, Pos. Rake (3850)
	10701	1 **Holder, Toolbit, RH, Neg. Rake (3860)
	10702	1 **Holder, Toolbit, LH, Neg. Rake (3860)
4	9249	2 Screw, Sq. Hd. Set
5	10650	1 Toolholder, LH
	10651	1 Toolholder, RH
6	24557	2 †Nut
7	11154	1 †Shield
8	29254	1 †Bracket
9	11152	1 †Screw, Thumb
10	24100	2 †Screw
11	27592	2 †Spacer
12	4379	2 †Washer
13	28572	1 Housing, Twin Cutter
14	3338	2 Screw, Set
15	6923	2 Knob, Dial Rod
16	6907	2 Dial, Micrometer
17	6929	2 Washer, Spring
18	6906	2 Plug, Dial
19	6908	2 Rod, Dial
20	6109	2 Screw, 3/16-16 Set
21	6977	1 Plug, Dot
22	9879	2 Screw, Locating
23	3528	2 Nut, Hex
24	6905	2 Spring
25	28584	2 Gib, Tool Holder
26	6854	2 Knob, Lock

† Denotes Safety Shield Assembly items
 * 3850
 ** 3860

Parts Identification



Crossfeed Assembly

Parts Identification

Crossfeed Assembly

PART		PART	
ITEM NO.	QTY DESCRIPTION	ITEM NO.	QTY DESCRIPTION
1	29158 1 Crossfeed	45	25783 1 Strain Relief
2	29156 1 Slide, Drum	46	3910 1 Washer
3	29174 1 Nut, Slide, Drum	48	29333 1 Bushing
4	29211 2 Locknut	49	Electrical Tape
5	6854 1 Knob, Lock	50	3141 1 Plug, Copper
6	29229 1 Plug, Brass	51	29194 1 Set Screw, Hex Socket Head
7	29170 1 Gib, Slide, Tool	52	29233 1 Motor, Slide
8	29199 2 Screw, 5/16-24 UNF x1.25	53	40279 2 Ring, Wiper
9	29231 2 Screw, 5/16-24 UNF Soc Hd Cap	54	6424 1 Pin, Roll
10	26321-1 1 Fan, Slide Motor	55	40484 2 Strip, Cover, LH
11	29166 1 Handle Assembly, Drive Motor Engagement	56	40485 1 Shield, Dial, Handwheel
12	29175 1 Bracket, Drive Motor	57	27361 9 Screw, 8-32x.500, HX Soc, Bin HD
13	29181 4 Pin, Groove, Drive Lock	59	40486 2 Cover, Assembly, Dovetail, LH
14	29234 2 Screw, 8-18x1.25 Socket Hd Cap	61	40483 2 Plug, Dome
15	29224 1 Shaft, Spline		
16	29182 2 Gear, Miter		
17	29213 1 Gear, Driven		
18	29214 1 Gear, Drive		
19	29183 1 Screw, Lead		
20	29180 1 Bushing, Bronze, Oil Impregn.		
21	29178 3 Race, Thrust		
22	29179 1 Bearing, Thrust		
23	29219 1 Coupler Assembly		
24	29223 1 Bushing, Bronze, Oil Impregn.		
25	29218 1 Screw, Lead, Rotor Feed		
26	29220 4 Race, Thrust		
27	29221 2 Bearing Thrust		
28	29276 1 Collar, Bearing		
29	29171 1 Handwheel Assembly		
33	24008 4 Ball, .25 Steel		
34	29167 1 Spring		
36	29245 1 Cover, Crossfeed, Bottom		
37	29246 4 Screw, 8-18 Hex Washer Head Self Tapping		
38	29204 1 Cover, Chip, Bottom		
39	29205 1 Cover, Top, Chip		
40	29202 1 Cover, Drum Slide Nut		
41	3166 1 Plug, Expansion		
42	29206 2 Wiper, Tool Slide, LH		
43	29207 2 Wiper, Tool Slide, RH		
44	29253 1 Cord, Pigtail		

