



700/705/710 Vehicle Mounted Brake Lathe & Rotor Driving Unit



Parts Identification

READ these instructions before placing unit in service. KEEP these and other materials delivered with the unit in a binder near the machine for ease of reference by supervisors and operators.

HENNESSY INDUSTRIES, INC.

1601 J. P. Hennessy Drive, LaVergne, TN USA 37086-3565 615/641-7533 800/688-6359

HENNESSY INDUSTRIES INC. Manufacturer of AMMCO®, COATS® and BADA® Automotive Service Equipment and Tools.

Manual Part No.: 940943 00

Revision: 06/01

Parts Identification

Table of Contents

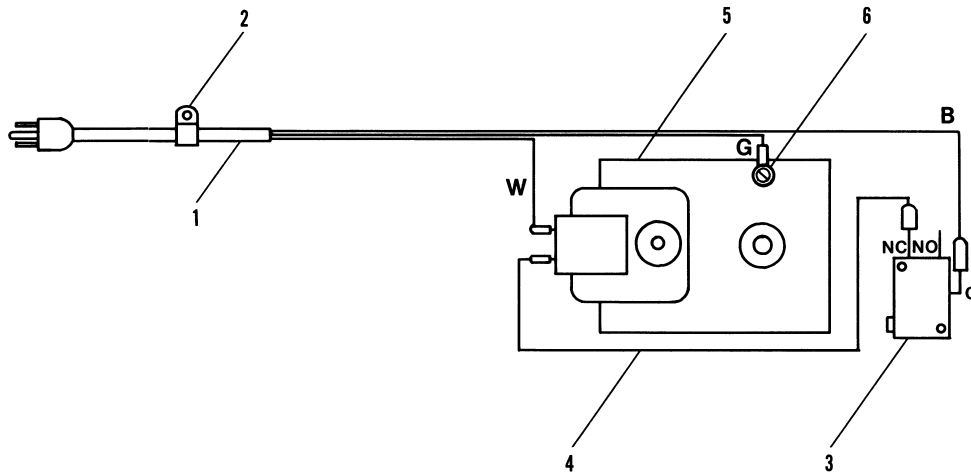
Electrical Schematic 115 VAC	3
Mounting Hardware #927581	3
Lathe Assembly	4 - 5
Rotor Driving Unit	6
Electrical Schematic 115 VAC	7

Parts Identification

The following pages include full parts breakdowns with exploded view illustrations to help with ordering replacement or spare parts. Assemblies are noted where it is recommended that individual parts not be ordered separately. These parts are available only as assemblies because some parts are staked, pinned, or press fitted, then drilled, machined, or bored. Close tolerances must be maintained in assembly. Every effort is made to supply accurate exploded views, however, due to interim changes in manufacturing operations, some units may not be exactly as illustrated.

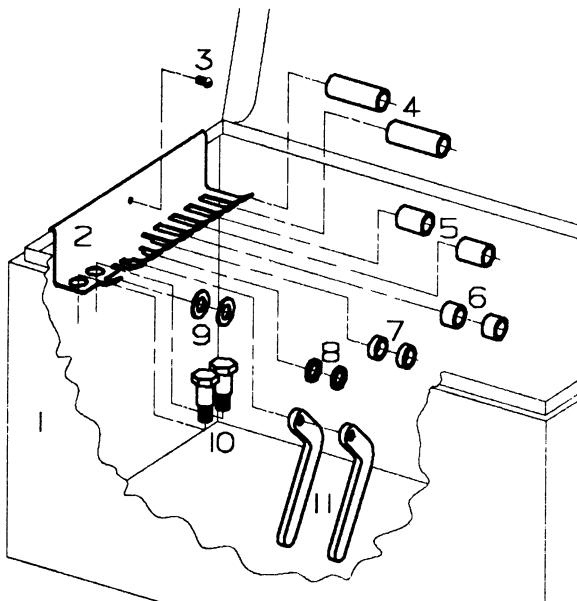
Parts Identification

Electrical Schematic 115 VAC



ITEM	PART NO.	QTY	DESCRIPTION
1	926539	1	Cord Set
2	925873	1	Cord Grip
3	927107	1	Switch, Micro
4	927114	1	Wire, Jumper
5	926530	1	Motor
6	925789	1	Screw, Ground

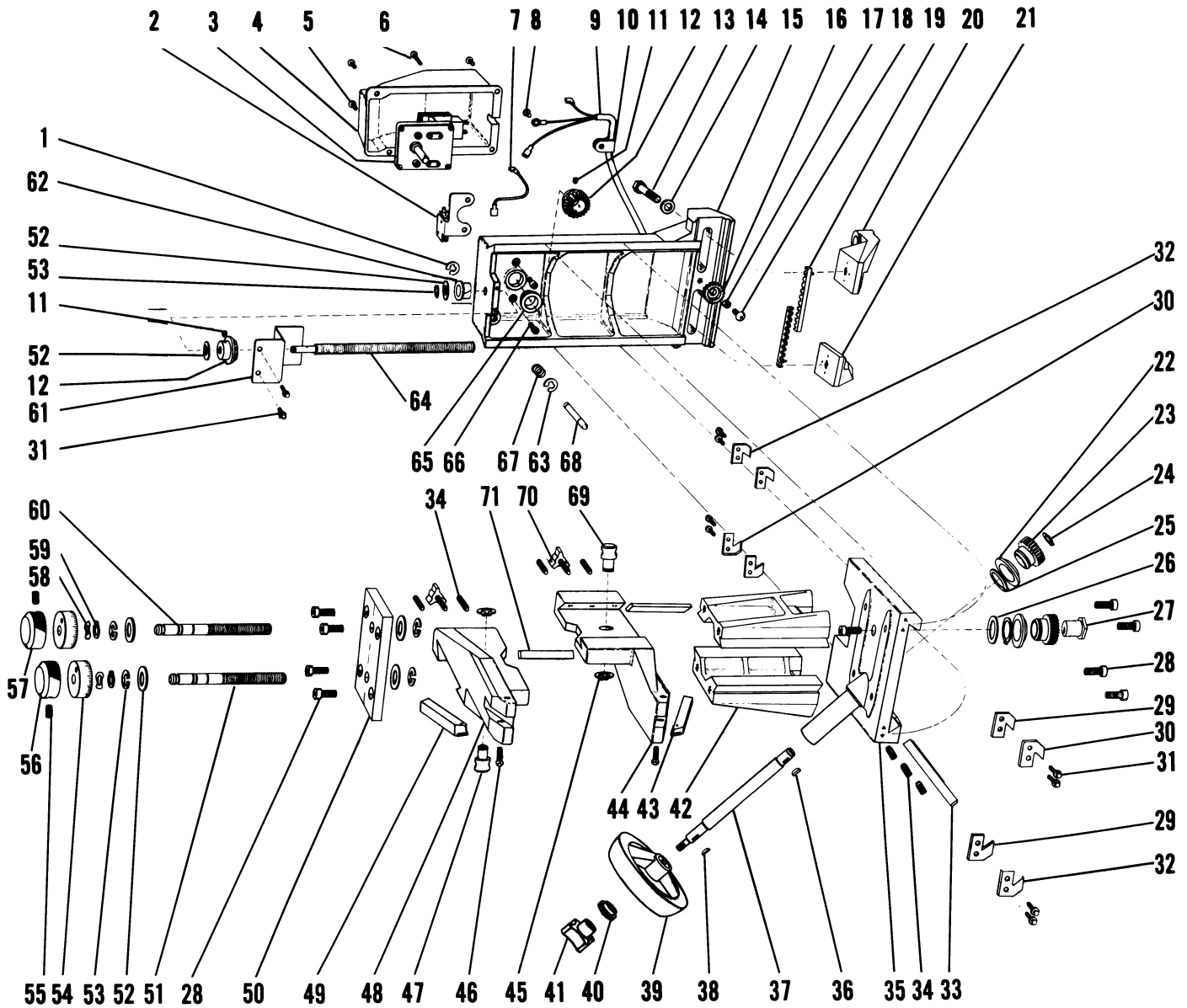
Mounting Hardware #927581



ITEM	PART NO.	QTY	DESCRIPTION
1	927174	1	Chest, Storage
2	927579	1	Rack, Storage
3	928220	1	Screw, Round Head
4	927089-05	2	Spacer, 2"
5	927089-04	2	Spacer, 1"
6	927089-03	2	Spacer, 1/2"
7	927089-02	2	Spacer, 1/4"
8	927089-01	2	Spacer, 1/8"
9	927212	2	Washer, Flat
10	927086-03	2	Bolt, Mounting
11	927580	2	Plate, Nut
12	929517	2	Spacer
13	927077	1	Wrench

Parts Identification

Lathe Assembly

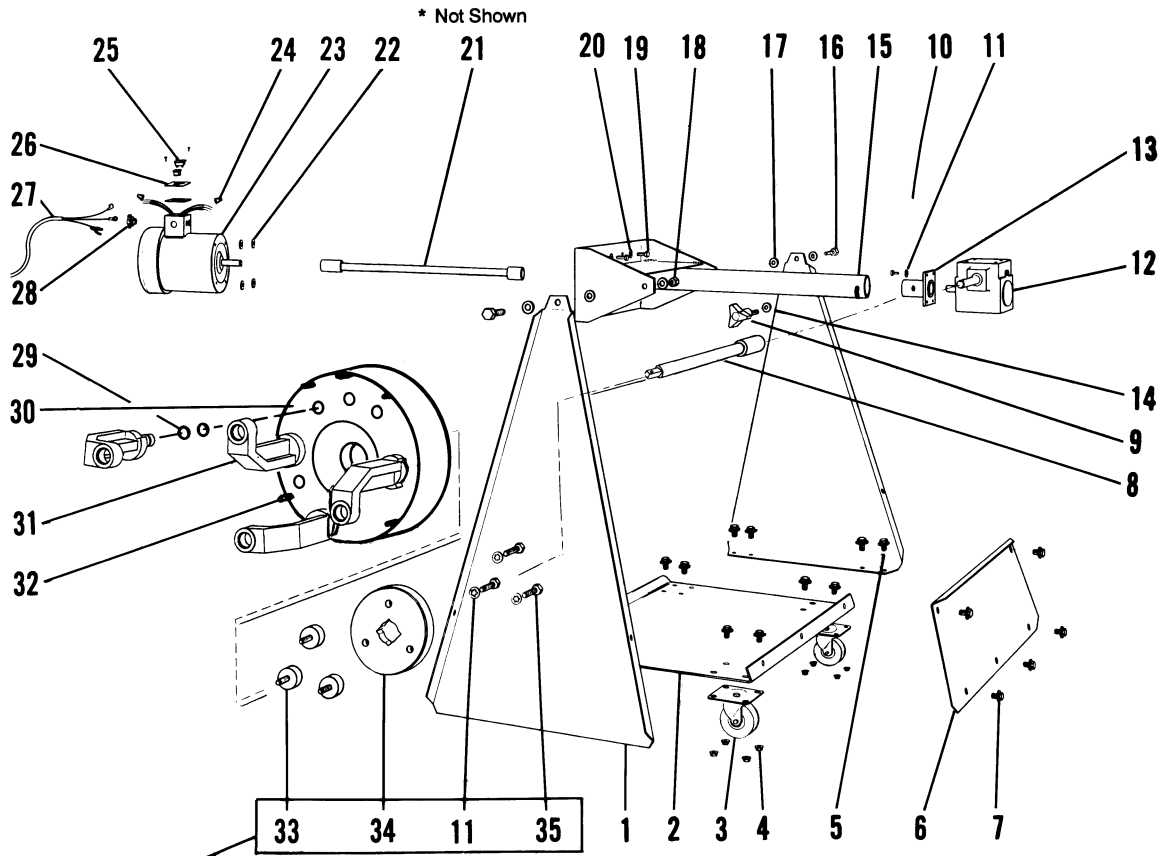


Parts Identification

ITEM	PART NO.	QTY	DESCRIPTION	ITEM	PART NO.	QTY	DESCRIPTION
1	927283	1	Ring, Retaining	37	926515	1	Shaft, Feed
2	927072	1	Switch Assembly	38	906971	1	Key
3	926530	1	Motor, 4 RPM	39	925765	1	Handwheel
4	926534	1	Cover, Motor	40	925807	1	Washer, Handwheel
5	924759	3	Screw, Motor Cover	41	925837	1	Knob
6	927071	1	Screw, Motor Cover	42	926505	2	Support
7	927114	1	Wire, Jumper	43	927118	1	Tool Bit Assy., RH
8	925789	1	Screw, Ground	44	926506-RD	1	Holder, Tool-Red
9	926539	1	Cord, Line	45	903320	2	Ring, Retaining
10	925873	1	Grip, Cord	46	927076	2	Screw, Square Head
11	903098	2	Screw, Set	47	926527	1	Coupler, LH
12	926528	2	Gear, Miter	48	926506-BL	1	Holder, Tool-Blue
13	926541	2	Screw, Hex Head	49	927119	1	Tool Bit Assy., LH
14	927129	2	Washer	50	926507	1	Plate, End
15	926531	1	Mainframe	51	926526	1	Screw, Lead. LH
16	926509	1	Pinion	52	927126	6	Washer, Thrust
17	926523	1	Sleeve	53	902304	5	Ring, Retaining
18	920433	1	Screw, Button Head	54	926521	2	Micrometer, Dial
19	926536	2	Gear Rack Assembly	55	900378	2	Screw, Set
20	926532	1	Bracket, Mounting-Top	56	926520-BL	1	Dial, Blue
21	926533	1	Bracket, Mounting-Bottom	57	926520-RD	1	Dial, Red
22	925856	2	Retainer, Gear	58	926522	2	Washer, Wave
23	925804	2	Gear	59	905613	2	Ring, Retaining
24	925857	1	Ring, Retaining	60	926524	1	Screw, Lead-RH
25	903174	2	Ring, Retaining	61	927124	1	Guard
26	906872	1	Washer, Thrust	62	922331	1	Bearing, Nylinder
27	926529	1	Shaft, Stub	63	927112	2	Ring, Retaining
28	926548	9	Screw, SHCS	64	926516	1	Screw, Lead
29	926538	4	Wiper	65	926518	1	Bearing, Flanged
30	926543	2	Shield, Right	66	927128	2	Screw, Motor
31	927110	10	Screw, Cover	67	927111	1	Spring
32	926542	2	Shield, Left	68	927109	1	Actuator
33	926511	1	Gib, Carriage	69	926525	1	Coupler, RH
34	926546	7	Screw, Set	70	926544	2	Knob, Tool Holder
35	926535	1	Carriage Assembly	71	926510	2	Gib, Tool Holder
36	906972	1	Key				

Parts Identification

Rotor Driving Unit



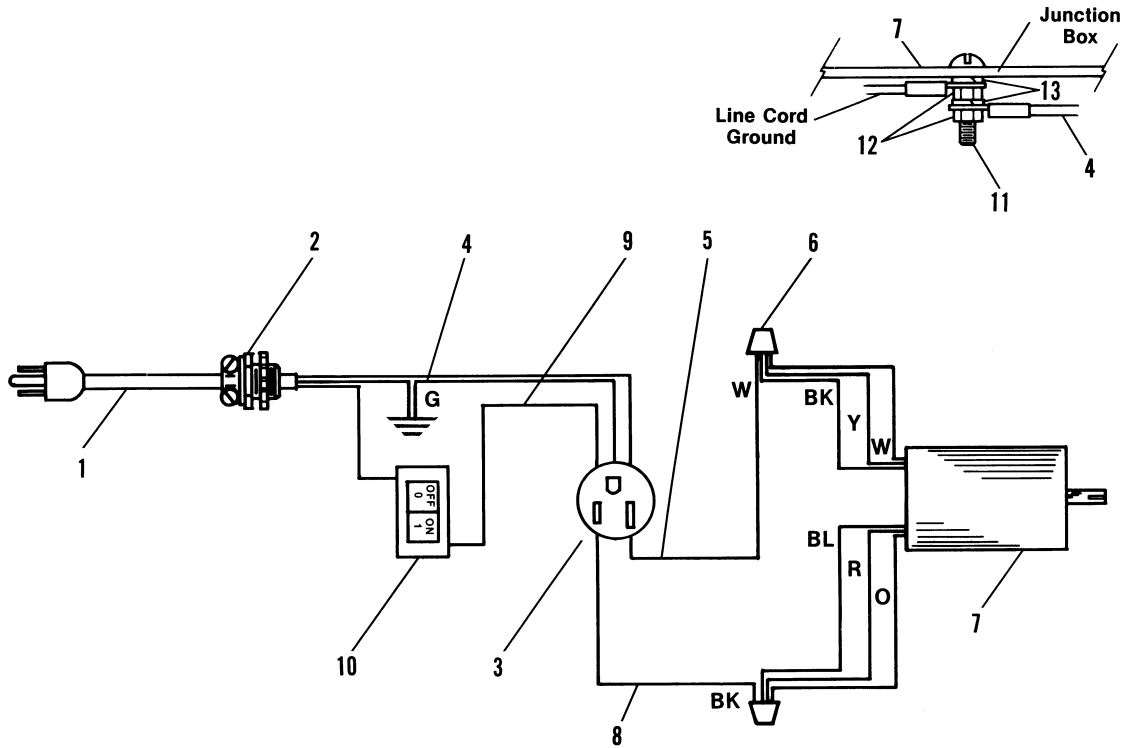
May or may not be included in your model.

ITEM	PART NO.	QTY	DESCRIPTION	ITEM	PART NO.	QTY	DESCRIPTION
1	927062	2	Upright	*	927978		Replacement Cooling Fan - for item #23
2	927061	1	Base	*	927977		Replacement Fan Cover - for item #23
3	927166	4	Caster	24	27258	2	Nut, Wire
4	8182178	16	Locknut, 5/16-18	25	27164	1	Breaker, Circuit
5	8120325	16	Screw, 5/16-18 x 1 Wiz Lock	26	27078	1	Plate, Cover
6	927085	1	Panel, Front	27	27179	1	Cord, Line
7	927183	5	Screw, 3/8-16 x 1/2 Self-Tapping	28	25783	1	Connector
8	927173	1	Drive Shaft Assembly, Output	29	27584	8	O-ring
9	927185	1	Knob	30	27159	1	Plate, Lug Adapter
10	922630	4	B.H.S.C.S. 1/4- 20 x 5/8	31	26622	4	Leg, Ass. (w/O-rings)
11	905592	7	Lockwasher, 1/4	32	5562	8	Pin, Roll
12	927083	1	Reducer, Gear	33	20780	3	Mount, Rubber
13	927388	1	Plate, Reducer Bracket	34	27878	1	Flange, 3/4" Drive
14	920777	1	Lockwasher, 5/16	*	27162		Flange, 1/2" Drive
15	927423	1	Weldment, Motor Bracket	35	905544	3	Screw, 1/4-20 x 3/4 Hex Head
16	905568	2	Screw, 3/8-16 x 3/4 Hex Head	*	926649	1	Tray, Chip
17	927212	10	Washer, 3/8	*	927585	1	Guard, Switch
18	927277	2	Locknut, 3/8-16	*	927404	1	Label, Warning (Do Not Use Below Garage Floor or Grade Level)
19	906820	4	Screw, 3/8-16 x 1	*	927366	1	Label, Warning (Keep Hands and Clothing Away from Rotating Parts)
20	921557	4	Lockwasher, 3/8				
21	927069	1	Drive Shaft Assembly, Input				
22	927129	4	Washer, 3/8 Thick				
23	927081	1	Motor - 15/230 VAC, 60 Hz				

*Not Shown

Parts Identification

Electrical Schematic 115 VAC



ITEM	PART NO.	QTY	DESCRIPTION
1	927179	1	Cord, Line
2	925783	1	Connector
3	906046	1	Outlet
4	927364	1	Wire, Jumper
5	927363	1	Wire, Jumper
6	927258	2	Wire, Connector
7	927081	1	Motor
8	927362	1	Wire, Jumper
9	927182	1	Wire, Jumper
10	927164	1	Circuit Breaker
11	927361	3	Screw, #8-32 x 1/2
12	906492	2	Nut, Hex #8-32
13	920545	2	Lockwasher, #8

